

Safety Light Curtain

F3SG-R Series

More Rugged

Advanced, Robust, and Easy types

NEW
Robust type

Advanced type

Easy type

Increase both durability and productivity

The new cutting oil resistant Robust type is added

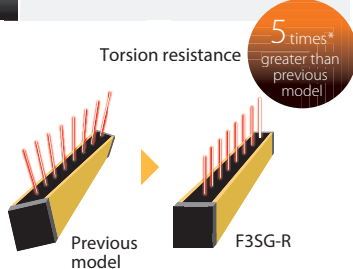


Safety Light Curtain F3SG-R Series

Fast set-up and high resistance to environmental changes

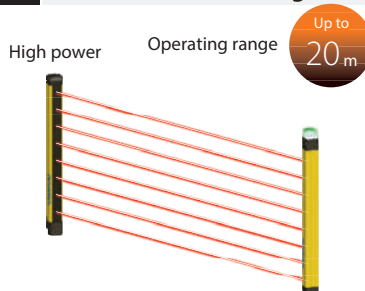
Tough 1

Resistant to vibration



Tough 2

Robust against environmental changes



Tough 3

Reliable in dusty wash-down environments



* Compared to the previous model (Omron survey as of March 2017)


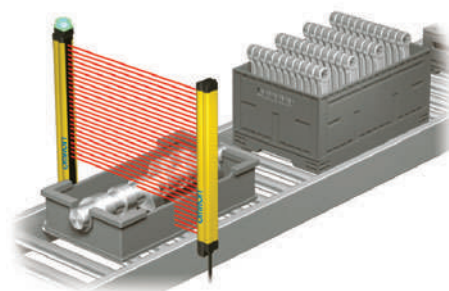
A choice of products to suit your need Multiple versions available: finger, hand and arm protection

Ideal for flexible manufacturing

Multifunctional **Advanced** type

F3SG-RA >>p.4

- Quick and easy installation
- Stable operation and predictive maintenance
- For global use
- Easy adjustment
- Easy configuration and maintenance


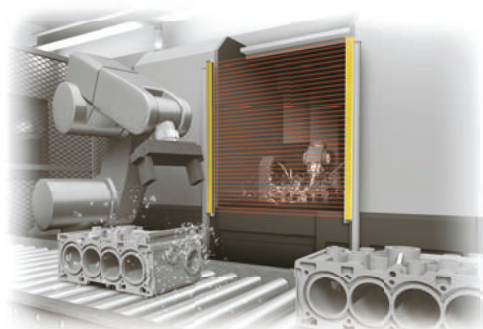
Even for environments where cutting oil is present

Cutting oil resistant **Robust** type

F3SG-RR NEW >>p.10

- Four times longer* cutting oil resistance
- No dead space
- IP67G

* Compared to the previous model (Omron survey as of March 2017)





Ideal for simple applications

Simple **Easy** type

F3SG-RE >>p.11

- Simple functions
- Reduced wiring
- Fast response time: 5 ms




- STI is a trademark or registered trademark of OMRON Corporation in Japan and other countries.
- Microsoft product screen shot(s) reprinted with permission from Microsoft Corporation.
- The Bluetooth® word mark and logos are registered trademarks owned by Bluetooth SIG, Inc. Any use of such marks by Omron is under license.
- Other company names and product names in this document are the trademarks or registered trademarks of their respective companies.

Multifunctional
Advanced
type
F3SG-RA

Quick and easy installation

Intuitive and smart designs for fast set-up

TOP
(top-beam-state indicator)

Simple beam adjustment

Simply watch for the top and bottom indicators to illuminate when adjustment is completed.
The optional laser pointer and lamp can be used to reduce the time required to set up the light curtain.

1 The TOP indicator turns ON when the top beam is unblocked

2 The BTM indicator turns ON when the bottom beam is unblocked

F39-PTG Laser Pointer
Shows the sensor direction

F39-LP Lamp
Turns ON when safety output turns ON, making adjustment easier

Also The incident light levels of each beam can be checked with the Configuration Tool SD Manager2

Sufficient Green Insufficient Red

Fine beam adjustment

BTM
(bottom-beam-state indicator)

* Image for illustration purpose only.

Mounting brackets

Four types of mounting brackets provide vertical or vertical and horizontal adjustment even after mounting, making beam adjustment easier.

Standard fixed bracket

You can slide the F3SG-R up and down to make vertical adjustments after mounting on a safety fence.



Standard adjustable bracket (sold separately)

This bracket provides vertical as well as horizontal adjustment of $\pm 15^\circ$.

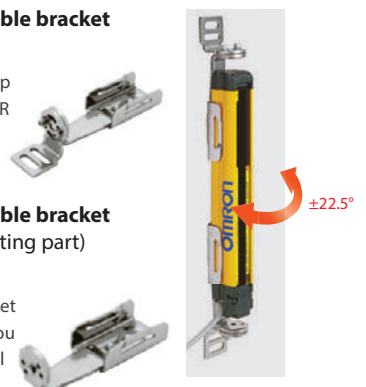


Top/bottom adjustable bracket (sold separately)

Use this bracket at the top and bottom of the F3SG-R to make horizontal adjustment of $\pm 22.5^\circ$.

Top/bottom adjustable bracket (for user-made mounting part) (sold separately)

The wall mounting bracket is not provided so that you can design your own wall mounting part.



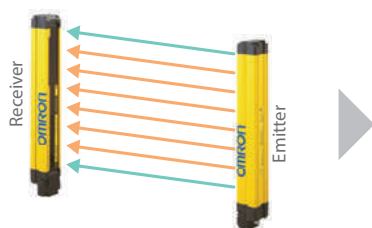
Optical synchronization – No sync lines required

Optical synchronization eliminates the need of wiring for synchronization between the emitter and receiver. The resulting flexible wiring reduces disconnection risk and avoids noise sources.

Optical synchronization

Start-up

The top or bottom beam of the emitter starts synchronizing with the corresponding beam of the receiver.



After sync

Once synchronization is done, the emitter is kept synchronized with the receiver while at least one beam is unblocked.



High ambient light immunity

Smartclick cable connection for fast set-up

No torque-control required: the Smartclick connectors connect cables with just a 1/8th turn of the M12 waterproof connector.

* Smartclick is a registered trademark of OMRON Corporation.

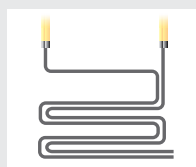


Simple wiring thanks to reduced wiring connectors

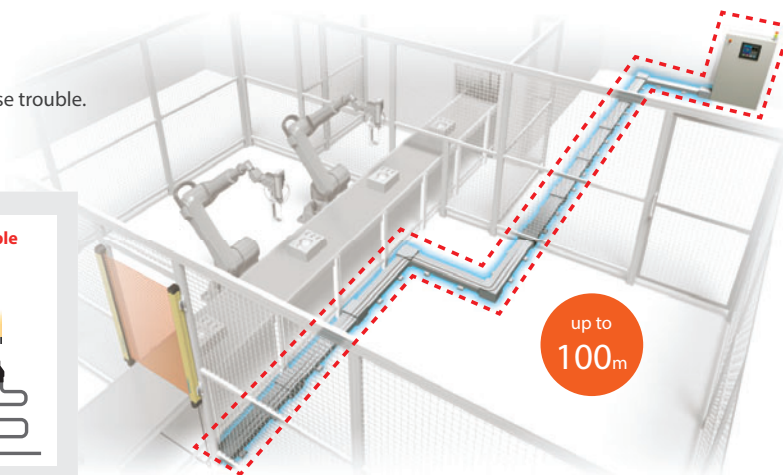
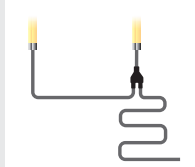
Simple wiring makes installation faster. Fewer cables reduce disconnection risk and noise trouble.

Previously

Cables of the emitter and receiver



Only one cable



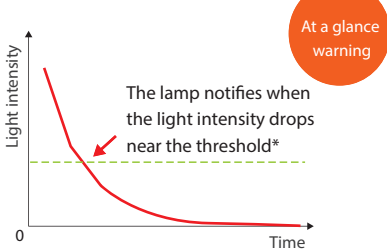
Multifunctional
Advanced
 type
F3SG-RA

Stable operation and predictive maintenance

Visualization eliminates machine downtime

The lamp notifies low light intensity

The lamp notifies when the incident light level drops due to dirt, which prevents sudden stops.



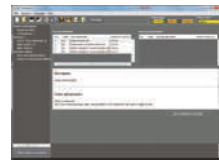
* The incident light level at which the light curtain turns OFF



F39-LP Lamp

Data logging for quick troubleshooting

The error logs stored in the F3SG-RA can be downloaded to a PC that is connected with the F3SG-RA using the dedicated interface unit. The Configuration Tool SD Manager2 can be used to analyze errors to identify causes and solutions. The data on light intensity, power-ON time, and switching frequency can also be collected regularly for predictive maintenance.



Configuration Tool SD Manager2

Bluetooth® allows to check status without stopping the line

The SD Manager2 can be used to check the status of the safety light curtain wirelessly after pairing the safety light curtain with PC via Bluetooth®, which reduces maintenance time.

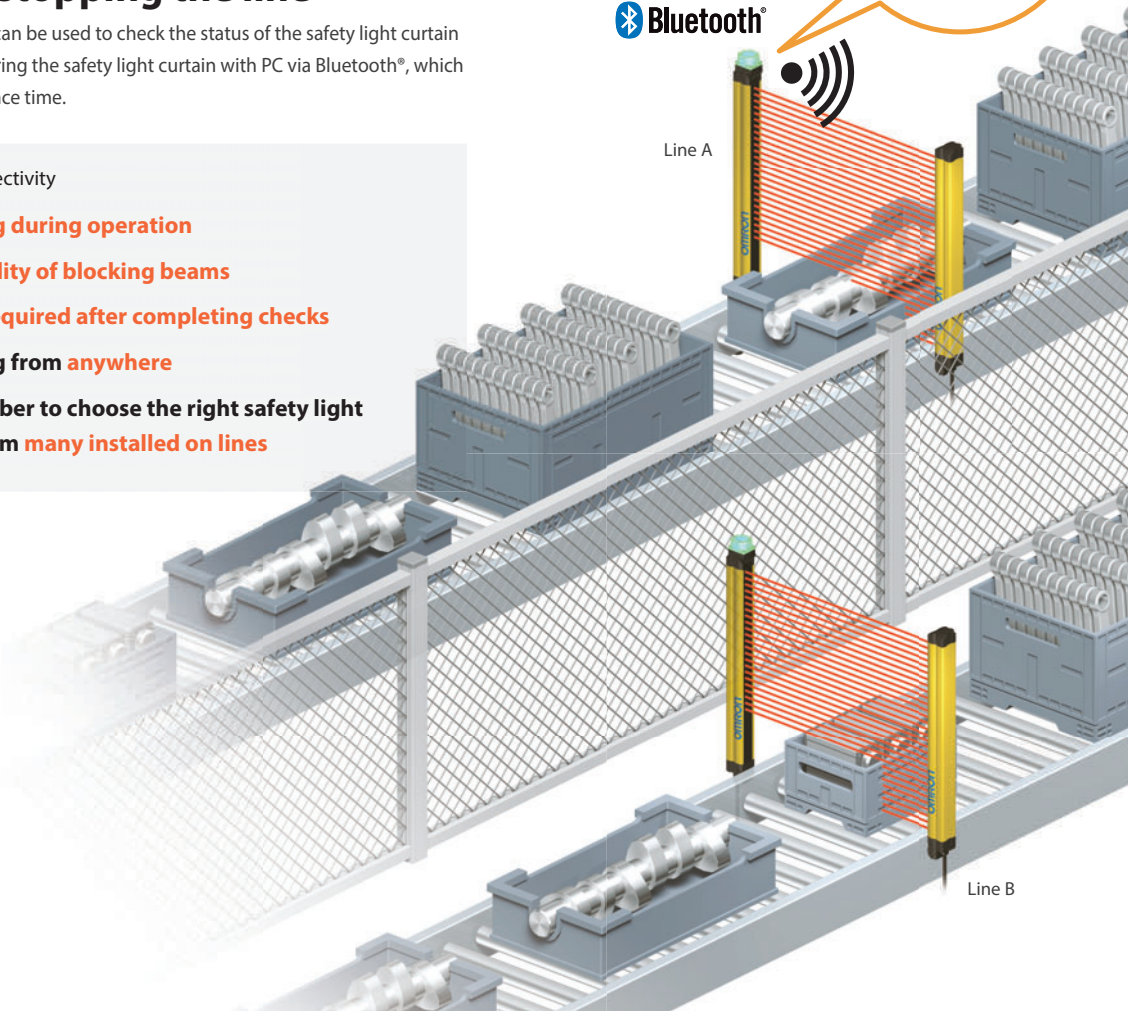
Wireless connectivity

- **Monitoring during operation**
- **No possibility of blocking beams**
- **No work required after completing checks**
- **Monitoring from anywhere**
- **Serial number to choose the right safety light curtain from many installed on lines**

F39-BT/BTLP Bluetooth®
 Communication Unit



Line A



Line B

For global use

Easy to deploy around the world

PNP/NPN selection

The F3SG-RA is designed to be used in a variety of environments around the world, conforming to international standards.



PNP or NPN can be selected with the DIP switch. The same cables are used



The F3SG-R conforms to major international standards including Chinese GB standards

Global production and delivery

Omron enhanced the global production bases and local services in Japan, China, United States, and Europe to deliver Omron products quickly and reliably. Our sales network of approximately 150 offices in 40 countries and regions supports our customers.



Troubleshooting in eight languages*

You can find causes and solutions of errors that occur during operation on the troubleshooting webpage in eight languages. Operators across the world can check the error details in their local languages, which will help them minimize time to troubleshoot.

* English, Chinese, Italian, Korean, French, German, Spanish, and Japanese



Scan the QR code and go directly to the troubleshooting webpage



Just 15 seconds to connect!

Select the status of the indicator



| Result | |
|--|---------------|
| Indication status | |
| Indicator | Receiver |
| LOCK OUT | Blinks 1 time |
| Blinking indicator | ON/OFF |
| Description | |
| Safety output error | |
| Cause and measures | |
| * Safety output lines may be short-circuited to each other or another signal line may be | |

Easy trouble shooting

Multifunctional
Advanced
type
F3SG-RA

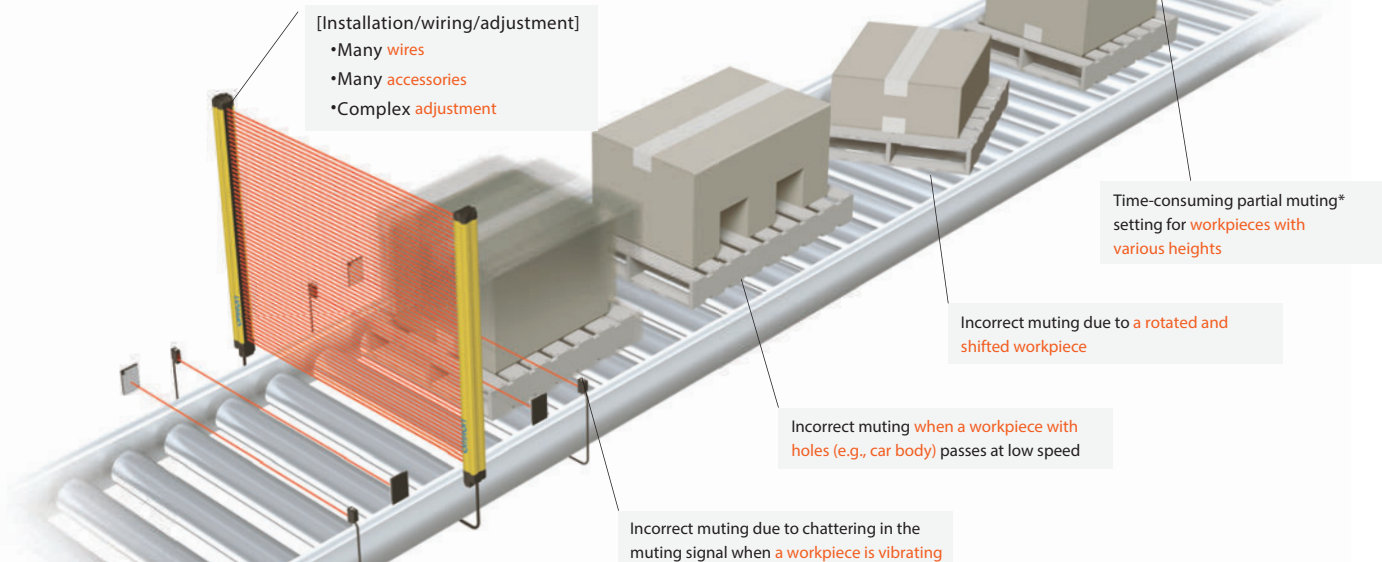
Easy adjustment

Increase productivity by detecting workpieces correctly

Muting

The F3SG-RA provides the advanced Muting function that disables beams which detect the presence of a workpiece or the position of a machine or robot. Workpieces can go in and out of a danger zone without stopping the machine.

Conventional Muting Muting secured safety, but the set-up was time consuming.



F3SG-R Two auto-configuration functions significantly reduce the adjustment time even under difficult conditions where failure is likely to occur.

Adjustment time reduced by **80%***

* Compared to the previous model (Omron survey as of March 2017)

Multiple-beam sensor technology for vibrating workpieces

Smart muting actuator **F3W-MA**

The smart muting actuator extends the functions of the F3SG-R in applications where a workpiece is vibrating forward and backward. This prevents unexpected machine downtime and significantly reduces adjustment time.



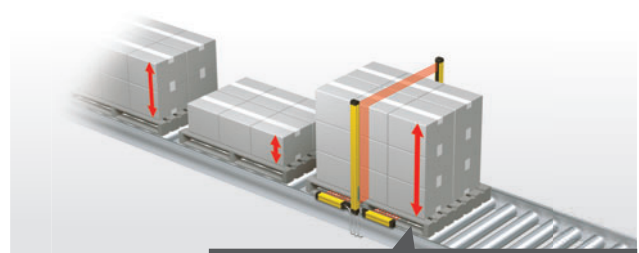
Smart muting actuator F3W-MA

Automatic and flexible detection even under unstable conveying conditions

Automatic partial muting for workpieces with various heights

Dynamic Muting

When workpieces with various heights are conveyed on the same line, the dynamic muting function automatically sets the appropriate beams, based on the height of the object.



Partial muting based on the detected workpiece height

* Partial muting: A function that allows specified beams (e.g., beams blocked by a workpiece) to be disabled, keeping others active, even during muting.

Easy configuration and maintenance

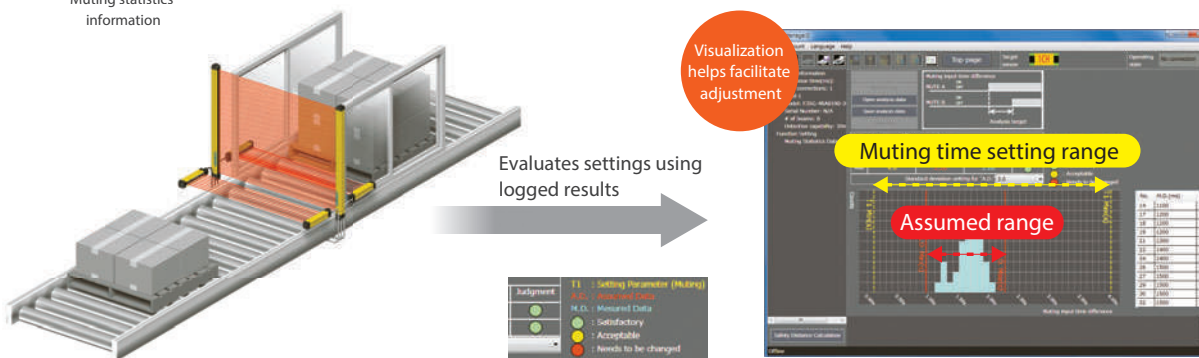
Easy to use | Configuration Tool SD Manager2

Minimizing setting and detection errors



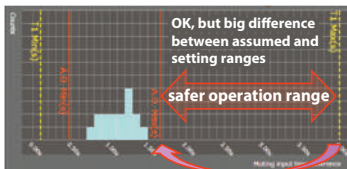
Muting statistics information

The Configuration Tool SD Manager2 visualizes the installation positions and settings by logging the muting sensor operating conditions of the F3SG-R. It helps ensure reliable, first-time-right configuration.

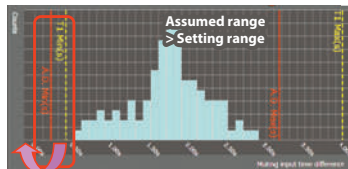


Examples of logging

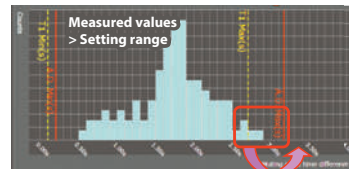
Judgment ● Low risk of intermittent stop, but not safe



Judgment ● OK in a test run, but intermittent stop may occur during long-term operations



Judgment ● Test run result is out of setting range. Muting sequence error occurred



From configuration and adjustment to maintenance

The SD Manager2 helps you to make and change settings.

Easy-to-understand icons



Examples

Monitoring

Incident/ambient light level monitoring



Monitor incident light levels of each beam for fine tuning

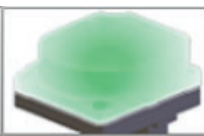
Maintenance information



Check error log and other data required for maintenance

I/O Setting

Auxiliary output/lamp



Change the settings assigned to each output including lamp color and pattern

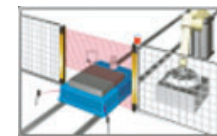
Function Setting

Fixed blanking



Set disabled beams manually or by teach-in

Muting/override



Set disabled beams and time. Setting can be evaluated

The Configuration Tool SD Manager2 is available to download from Omron website:
http://www.ia.omron.com/f3sg-r_tool



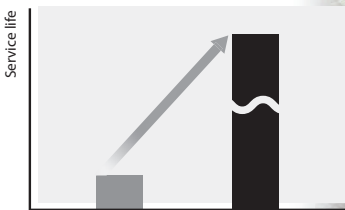
NEW
Cutting oil resistant
Robust
type
F3SG-RR

IP67G

Robust design for reliable use even in cutting oil environments

Four times longer* cutting oil resistance

The F3SG-RR has the ability to protect from cutting oil (IP67G) for four times longer than the previous model.



Previous model
F3SJ-A/B

F3SG-RR

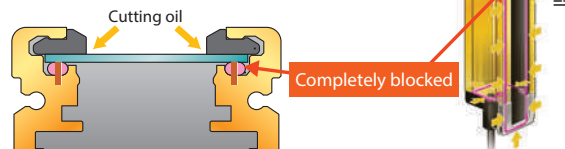
* Compared to the previous model
(Omron survey as of March 2017)



Unique construction

No gaps

The optical surface is completely covered with rubber, and the metal parts placed on the rubber are compressed and deformed to seal tightly. This construction does not use double-sided tape that oil can penetrate, preventing cutting oil from getting inside.



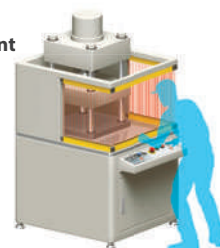
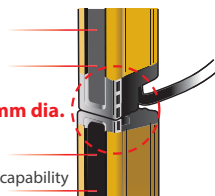
No dead space

The F3SG-R perfectly fits to machines without wasting space. Thanks to the Cascade Connection function and perfect fit installation, you can series-connect light curtains to fit various protective heights, reducing inventories.

The detection zone completely covers the joint

25-mm dia.

Example of 25 mm detection capability



*1. Up to three sets of F3SG-R (up to 255 beams in total) can be series-connected.
*2. Protect cascading cables from cutting oil.

Simple
Easy
type
F3SG-RE

Reduced wiring and fast response

Simple ON/OFF detection

Easy version for cost-efficiency

The Easy type inherits the robust but slim housing and basic safety features of the Advanced type. Simple ON/OFF detection reduces errors, preventing productivity from dropping.

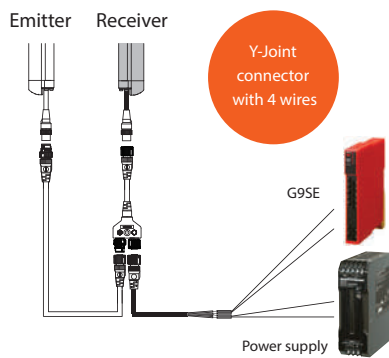
Simple safety functions to reduce errors and save costs

Reduced to just 4 wires

Fastest response time of 5 ms

Easier to build safety circuits

Only four wires are required for the minimum configuration, which is as simple as wiring a photoelectric sensor. Simple connection with a safety controller makes it easy to build a safety circuit.



Industry's fastest class*

Fastest response time of 5 ms

The Easy type that allows the distance between the light curtain and hazard source to be reduced is ideal for the use in a small machine.

* Omron survey as of March 2017





Also

Use easy-to-obtain cables

Commercially available M12 connector cables can be used as extension cables to build a safety circuit.



























List of specifications and features

| | | Advanced type | | Robust type | |
|--------------------------|----------------------------------|---|-----------------|---|-------------|
| | | F3SG-RA | | F3SG-RR | |
| | |  | |  | |
| Application | Finger protection | ● | | ● | |
| | Hand and arm protection | | ● | | ● |
| | Body protection | | | | |
| Specification | Detection capability | 14-mm dia. | 30-mm dia. | 14-mm dia. | 25-mm dia. |
| | Beam gap | 10 mm | 20 mm | 10 mm | 20 mm |
| | Operating range | 0.3 to 10 m | 0.3 to 20 m | 0.3 to 10 m | 0.3 to 17 m |
| | Protective height | 160 to 2,080 mm | 190 to 2,510 mm | 240 to 1,920 mm | |
| | Number of beams | 15 to 207 | 8 to 124 | 23 to 191 | 12 to 96 |
| Feature | PNP/NPN Selection | ● | | ☐ | |
| | External Test | ☐ *1 | | ☐ *1 | |
| | Interlock | ● ☐ | | ☐ | |
| | Pre-Reset | ● ☐ | | ☐ | |
| | External Device Monitoring (EDM) | ● ☐ ☐ | | ☐ ☐ | |
| | Auxiliary Output | ● ☐ | | ☐ | |
| | Muting | ● ☐ | | ☐ | |
| | Blanking | ● ☐ | | ☐ | |
| | Reduced Resolution | | ☐ | ☐ | |
| | Warning Zone | | ☐ | ☐ | |
| | Scan Code Selection | ● | | ● | |
| | Operating Range Selection | ● | | - | |
| | Response Time Adjustment | | ☐ | ☐ | |
| | Designated Beam Output | | ☐ | ☐ | |
| Connection/wiring | Cascade Connection | | ☐ | ☐ | |
| | Reduced wiring | | ☐ | ☐ | |
| Environmental resistance | Degree of protection | IP67 | | IP67,IP67G | |
| Accessory | Lamp | ● | | ● | |
| | Bluetooth communication unit | ● | | ● | |
| | SD Manager2 | ● | | ● | |
| | Laser pointer | ● | | ● | |
| More information | | Page 16 (F3SG-RA-01TS : Page 93, F3SG-RA-02TS : Page 120*2) | | Page 44 | |

*1. Supports PNP/NPN by switching between 0 V and 24 V active.




*2. The F3SG-RA-☐TS has different specifications. See the pages listed above for details.

| Easy type | | More slim – F3SJ Series | | | | |
|--|---|---|---|--|----------------------------------|--------------------------|
| F3SG-RE | | F3SJ-E | F3SJ-B | F3SJ-A | | |
|  <p>Ideal for simple applications</p> | |  |  |  | | |
| ● | | | | ● | Finger protection | Application |
| | ● | ● | ● | ● | Hand and arm protection | |
| | | | | ● | Body protection | |
| 14-mm dia. | 30-mm dia. | 25-mm dia. | 25-mm dia. | 14/20/30/55-mm dia. | Detection capability | Specification |
| 10 mm | 20 mm | 20 mm | 20 mm | 9/15/25/50 mm | Beam gap | |
| 0.3 to 10 m | 0.3 to 20 m | 0.2 to 7 m | 0.2 to 7 m | 0.2 to 9 m *3 | Operating range | |
| 160 to 2,080 mm | 190 to 2,510 mm | 185 to 1,105 mm | 185 to 2,065 mm | 245 to 2,495 mm *3 | Protective height | |
| 15 to 207 | 8 to 124 | 8 to 54 | 8 to 102 | Varies depending on the beam gap *3 | Number of beams | |
| – | – | – | – | – | PNP/NPN Selection | Feature |
| – | – |  |  |  | External Test | |
| – | – | – |  |  | Interlock | |
| – | – | – | – | – | Pre-Reset | |
| – | – | – |  |  | External Device Monitoring (EDM) | |
| – | – | – | – |  | Auxiliary Output | |
| – | – | – |  |  | Muting | |
| – | – | – | – |  | Blanking | |
| – | – | – | – | – | Reduced Resolution | |
| – | – | – | – |  | Warning Zone | |
| – | (Not required for wired synchronization) | | | – | Scan Code Selection | |
|  | – | – | – |  | Operating Range Selection | |
| – | – | – | – | – | Response Time Adjustment | |
| – | – | – | – |  | Designated Beam Output | |
| – | – | – |  |  | Cascade Connection | Connection/wiring |
|  | – | – |  |  | Reduced wiring | |
| IP67 | IP65 | IP65 | IP65 | IP65 | Degree of protection | Environmental resistance |
| – | – | – | – | ● | Lamp | Accessory |
| – | – | – | – | – | Bluetooth communication unit | |
| – | – | – | – | SD Manager | SD Manager2 | |
| ● | ● | ● | ● | ● | Laser pointer | |
| Page 73 | Refer to the F3SJ Series Catalog (Cat. No. F074). | | | | More information | |

*3. Varies depending on the model.



aintenance

e




| Protective height | Specifications | Brackets | Cable | Accessories (sold separately) |
|--|---|--|---|---|
|  <p>14-mm dia. 160 to 2,080 mm (15 to 207 beams)</p> <p>30-mm dia. 190 to 2,510 mm (8 to 124 beams)</p> | <p>Detection capability</p> <p>14-mm dia./30-mm dia.</p> <p>Beam gap</p> <p>10 mm/20 mm</p> <p>Operating range</p> <p>0.3 to 10 m/ 0.3 to 20 m</p> | <p>Accessory</p> <p>• Standard fixed bracket</p>  <p>Sold separately</p> <p>• Standard adjustable bracket • Top/bottom adjustable bracket • Top/bottom adjustable bracket (for user-made mounting part)</p> | <p>Connector</p>  | <p>Single/double-ended connector cable</p> <p>Cascading cable</p> <p>Reduced wiring connector</p> <p>Laser pointer</p> <p>Spatter protection cover</p> <p>Lamp</p> <p>Bluetooth communication unit</p> <p>SD Manager2</p> |

* The F3SG-RA-□TS has different specifications.
See the following pages: F3SG-4RA-01TS: p.93 F3SG-RA-02TS: p.120


See **p.16** for details.


| Protective height | Specifications | Brackets | Cable | Accessories (sold separately) |
|--|---|---|---|---|
|  <p>14-mm dia. 240 to 1,920 mm (23 to 191 beams)</p> <p>25-mm dia. 240 to 1,920 mm (12 to 96 beams)</p> | <p>Detection capability</p> <p>14-mm dia./25-mm dia.</p> <p>Beam gap</p> <p>10 mm/20 mm</p> <p>Operating range</p> <p>0.3 to 10 m/ 0.3 to 17 m</p> | <p>Sold separately</p> <p>• Free-Location Bracket (Intermediate Bracket) • Top/bottom Bracket (3types)</p> | <p>Connector</p>  | <p>Single/double-ended connector cable</p> <p>Cascading cable</p> <p>Reduced wiring connector</p> <p>Laser pointer</p> <p>Lamp</p> <p>Bluetooth communication unit</p> <p>SD Manager2</p> |

See **p.44** for details.


| Protective height | Specifications | Brackets | Cable | Accessories (sold separately) |
|--|---|--|--|---|
|  <p>14-mm dia. 160 to 2,080 mm (15 to 207 beams)</p> <p>30-mm dia. 190 to 2,510 mm (8 to 124 beams)</p> | <p>Detection capability</p> <p>14-mm dia./30-mm dia.</p> <p>Beam gap</p> <p>10 mm/20 mm</p> <p>Operating range</p> <p>0.3 to 10 m/ 0.3 to 20 m</p> | <p>Accessory</p> <p>• Standard fixed Bracket</p>  <p>Sold separately</p> <p>• Standard adjustable bracket • Top/bottom adjustable bracket • Top/bottom adjustable bracket (for user-made mounting part)</p> | <p>Connector</p>  | <p>Single/double-ended connector cable</p> <p>Reduced wiring connector</p> <p>Laser pointer</p> <p>Spatter protection cover</p> |

See **p.73** for details.

| Protective height | Specifications |
|---|--|
|  <p>25-mm dia. 185 to 1,105 mm (8 to 54 beams)</p> | <p>Detection capability</p> <p>25-mm dia.</p> <p>Beam gap</p> <p>20 mm</p> <p>Operating range</p> <p>0.2 to 7 m</p> |

| Protective height | Specifications |
|--|--|
|  <p>25-mm dia. 185 to 2,065 mm (8 to 102 beams)</p> | <p>Detection capability</p> <p>25-mm dia.</p> <p>Beam gap</p> <p>20 mm</p> <p>Operating range</p> <p>0.2 to 7 m</p> |

* ENVIRONMENT RESISTANT type
Protective height: 225 to 1,985 mm Operating range: 0.2 to 6 m

| Protective height | Specifications |
|---|---|
|  <p>14-mm dia. 245 to 1,271 mm (26 to 140 beams)</p> | <p>Detection capability</p> <p>14-mm dia. -</p> <p>Beam gap</p> <p>9 mm -</p> <p>Operating range</p> <p>0.2 to 9 m</p> |

* When the minimum object resolution is 14 mm and the beam gap is 9 mm.

Refer to the F3SJ Series Catalog (Cat. No. F074) or visit the Omron website for details of the F3SJ Series.



www.ia.omron.com/

F3SJ

Safety Light Curtain Advanced type

F3SG-RA

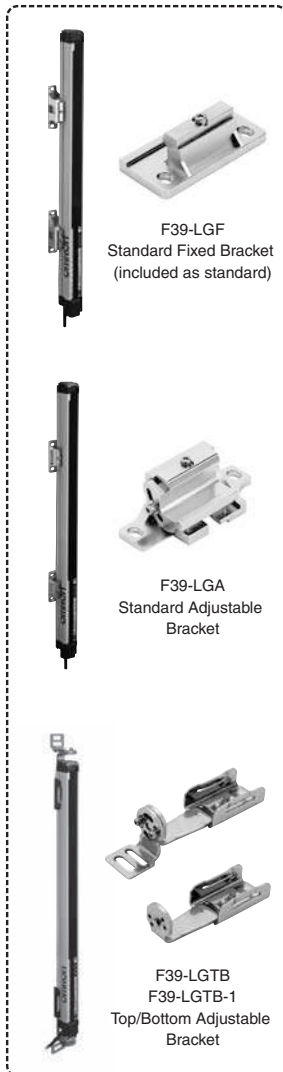
Offers Both Durability and Reliability

- Rugged and compact
- New muting function to increase both productivity and safety
- All models designed for global use. PNP/NPN selection by DIP switch
- Conforming to major international standards including Chinese standard GB/T 4584

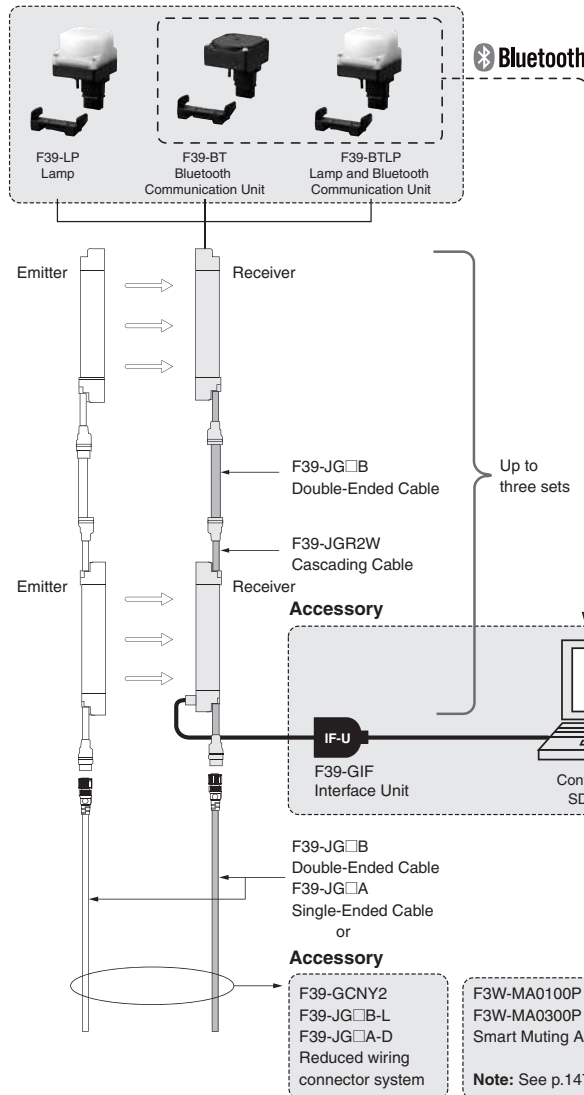


System Configuration

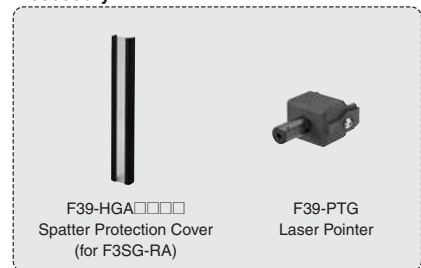
Mounting bracket



Accessory



Accessory



Recommended safety controller *

- NX/NE1A-series Safety Network Controller
- G9SP-series Safety Controller
- G9SE/G9SA-series Safety Relay Unit
- G9SX-series Flexible Safety Unit
- G7SA/G7S-E Relays with Forcibly Guided Contacts

* The recommended safety controller is required to build a safety circuit using emergency stop switches and door switches.

Ordering Information

Main Units

Safety Light Curtain

Finger protection

| Number of beams | Protective height (mm) | Model |
|-----------------|------------------------|-----------------|
| 15 | 160 | F3SG-4RA0160-14 |
| 23 | 240 | F3SG-4RA0240-14 |
| 31 | 320 | F3SG-4RA0320-14 |
| 39 | 400 | F3SG-4RA0400-14 |
| 47 | 480 | F3SG-4RA0480-14 |
| 55 | 560 | F3SG-4RA0560-14 |
| 63 | 640 | F3SG-4RA0640-14 |
| 71 | 720 | F3SG-4RA0720-14 |
| 79 | 800 | F3SG-4RA0800-14 |
| 87 | 880 | F3SG-4RA0880-14 |
| 95 | 960 | F3SG-4RA0960-14 |
| 103 | 1040 | F3SG-4RA1040-14 |
| 111 | 1120 | F3SG-4RA1120-14 |
| 119 | 1200 | F3SG-4RA1200-14 |
| 127 | 1280 | F3SG-4RA1280-14 |
| 135 | 1360 | F3SG-4RA1360-14 |
| 143 | 1440 | F3SG-4RA1440-14 |
| 151 | 1520 | F3SG-4RA1520-14 |
| 159 | 1600 | F3SG-4RA1600-14 |
| 167 | 1680 | F3SG-4RA1680-14 |
| 175 | 1760 | F3SG-4RA1760-14 |
| 183 | 1840 | F3SG-4RA1840-14 |
| 191 | 1920 | F3SG-4RA1920-14 |
| 199 | 2000 | F3SG-4RA2000-14 |
| 207 | 2080 | F3SG-4RA2080-14 |



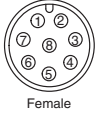
Hand and arm protection

| Number of beams | Protective height (mm) | Model |
|-----------------|------------------------|-----------------|
| 8 | 190 | F3SG-4RA0190-30 |
| 12 | 270 | F3SG-4RA0270-30 |
| 16 | 350 | F3SG-4RA0350-30 |
| 20 | 430 | F3SG-4RA0430-30 |
| 24 | 510 | F3SG-4RA0510-30 |
| 28 | 590 | F3SG-4RA0590-30 |
| 32 | 670 | F3SG-4RA0670-30 |
| 36 | 750 | F3SG-4RA0750-30 |
| 40 | 830 | F3SG-4RA0830-30 |
| 44 | 910 | F3SG-4RA0910-30 |
| 48 | 990 | F3SG-4RA0990-30 |
| 52 | 1070 | F3SG-4RA1070-30 |
| 56 | 1150 | F3SG-4RA1150-30 |
| 60 | 1230 | F3SG-4RA1230-30 |
| 64 | 1310 | F3SG-4RA1310-30 |
| 68 | 1390 | F3SG-4RA1390-30 |
| 72 | 1470 | F3SG-4RA1470-30 |
| 76 | 1550 | F3SG-4RA1550-30 |
| 80 | 1630 | F3SG-4RA1630-30 |
| 84 | 1710 | F3SG-4RA1710-30 |
| 88 | 1790 | F3SG-4RA1790-30 |
| 92 | 1870 | F3SG-4RA1870-30 |
| 96 | 1950 | F3SG-4RA1950-30 |
| 100 | 2030 | F3SG-4RA2030-30 |
| 104 | 2110 | F3SG-4RA2110-30 |
| 108 | 2190 | F3SG-4RA2190-30 |
| 112 | 2270 | F3SG-4RA2270-30 |
| 116 | 2350 | F3SG-4RA2350-30 |
| 120 | 2430 | F3SG-4RA2430-30 |
| 124 | 2510 | F3SG-4RA2510-30 |

Accessories (Sold separately)

Safety light curtain connecting cable

Single-Ended Cable *

| Appearance | Type | Cable length | Specifications | Model | | | | | | | | | | | | | | | | | | | | | | | |
|---|---|--|---|----------|---------|-------|---------|-------|-------|--------|-------|------|--------|----------|-------|--------|----------|--------|------------|-------|---|-------|------|---|-----|-----|------------|
|  | For emitter M12 connector (5-pin), 5 wires Color: Gray | 3 m | Connected to Power Cable or Double-Ended Cable  Female <table border="1"> <tr><td>1</td><td>+24 VDC</td><td>Brown</td></tr> <tr><td>2</td><td>TEST</td><td>Black</td></tr> <tr><td>3</td><td>0 VDC</td><td>Blue</td></tr> <tr><td>4</td><td>Not used</td><td>White</td></tr> <tr><td>5</td><td>Not used</td><td>Yellow</td></tr> </table> | 1 | +24 VDC | Brown | 2 | TEST | Black | 3 | 0 VDC | Blue | 4 | Not used | White | 5 | Not used | Yellow | F39-JG3A-L | | | | | | | | |
| | | 1 | | +24 VDC | Brown | | | | | | | | | | | | | | | | | | | | | | |
| | | 2 | | TEST | Black | | | | | | | | | | | | | | | | | | | | | | |
| | | 3 | | 0 VDC | Blue | | | | | | | | | | | | | | | | | | | | | | |
| | | 4 | | Not used | White | | | | | | | | | | | | | | | | | | | | | | |
| | 5 | Not used | Yellow | | | | | | | | | | | | | | | | | | | | | | | | |
| | 7 m | F39-JG7A-L | | | | | | | | | | | | | | | | | | | | | | | | | |
| | 10 m | F39-JG10A-L | | | | | | | | | | | | | | | | | | | | | | | | | |
| | 15 m | F39-JG15A-L | | | | | | | | | | | | | | | | | | | | | | | | | |
| | 20 m | F39-JG20A-L | | | | | | | | | | | | | | | | | | | | | | | | | |
| For receiver M12 connector (8-pin), 8 wires Color: Black | 3 m | Connected to Power Cable or Double-Ended Cable  Female <table border="1"> <tr><td>1</td><td>RESET</td><td>Yellow</td></tr> <tr><td>2</td><td>+24 VDC</td><td>Brown</td></tr> <tr><td>3</td><td>MUTE A</td><td>Gray</td></tr> <tr><td>4</td><td>MUTE B</td><td>Pink</td></tr> <tr><td>5</td><td>OSSD 1</td><td>Black</td></tr> <tr><td>6</td><td>OSSD 2</td><td>White</td></tr> <tr><td>7</td><td>0 VDC</td><td>Blue</td></tr> <tr><td>8</td><td>AUX</td><td>Red</td></tr> </table> | 1 | RESET | Yellow | 2 | +24 VDC | Brown | 3 | MUTE A | Gray | 4 | MUTE B | Pink | 5 | OSSD 1 | Black | 6 | OSSD 2 | White | 7 | 0 VDC | Blue | 8 | AUX | Red | F39-JG3A-D |
| | 1 | | RESET | Yellow | | | | | | | | | | | | | | | | | | | | | | | |
| | 2 | | +24 VDC | Brown | | | | | | | | | | | | | | | | | | | | | | | |
| | 3 | | MUTE A | Gray | | | | | | | | | | | | | | | | | | | | | | | |
| | 4 | | MUTE B | Pink | | | | | | | | | | | | | | | | | | | | | | | |
| 5 | OSSD 1 | Black | | | | | | | | | | | | | | | | | | | | | | | | | |
| 6 | OSSD 2 | White | | | | | | | | | | | | | | | | | | | | | | | | | |
| 7 | 0 VDC | Blue | | | | | | | | | | | | | | | | | | | | | | | | | |
| 8 | AUX | Red | | | | | | | | | | | | | | | | | | | | | | | | | |
| 7 m | F39-JG7A-D | | | | | | | | | | | | | | | | | | | | | | | | | | |
| 10 m | F39-JG10A-D | | | | | | | | | | | | | | | | | | | | | | | | | | |
| 15 m | F39-JG15A-D | | | | | | | | | | | | | | | | | | | | | | | | | | |
| 20 m | F39-JG20A-D | | | | | | | | | | | | | | | | | | | | | | | | | | |


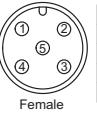

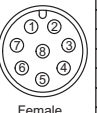

* A set of two Single-Ended Cables (one for emitter and one for receiver) is also available.

Model: Model number without the -L/-D at the end (F39-JG□A)

Note: To extend the cable length to more than 20 m, add the F39-JG□B Double-Ended Cable.

Double-Ended Cable *

For cable extension and simple wiring

| Appearance | Type | Cable length | Specifications | Model | | | | | | | | | | | | | | | | | | | | | | | | | | | | | | | | |
|---|--|--------------|--|--------|-------|---|-------|---|-------|---|-------|---|--------|---|-------|---|-------|---|------|---|-------|---|--------|-------------|-------|---|-------|---|--------|---|-----|---|------|---|------|-------------|
|  | For emitter M12 connector (5-pin) on both ends Color: Gray | 0.5 m | Connected to Power Cable or Double-Ended Cable  Female <table border="1"> <tr><td>1</td><td>Brown</td></tr> <tr><td>2</td><td>Black</td></tr> <tr><td>3</td><td>Blue</td></tr> <tr><td>4</td><td>White</td></tr> <tr><td>5</td><td>Yellow</td></tr> </table> Connected to Single-Ended Cable, or Double-Ended Cable  Male <table border="1"> <tr><td>1</td><td>Brown</td></tr> <tr><td>2</td><td>Black</td></tr> <tr><td>3</td><td>Blue</td></tr> <tr><td>4</td><td>White</td></tr> <tr><td>5</td><td>Yellow</td></tr> </table> | 1 | Brown | 2 | Black | 3 | Blue | 4 | White | 5 | Yellow | 1 | Brown | 2 | Black | 3 | Blue | 4 | White | 5 | Yellow | F39-JGR5B-L | | | | | | | | | | | | |
| | | 1 | | Brown | | | | | | | | | | | | | | | | | | | | | | | | | | | | | | | | |
| | | 2 | | Black | | | | | | | | | | | | | | | | | | | | | | | | | | | | | | | | |
| | | 3 | | Blue | | | | | | | | | | | | | | | | | | | | | | | | | | | | | | | | |
| | | 4 | | White | | | | | | | | | | | | | | | | | | | | | | | | | | | | | | | | |
| | | 5 | | Yellow | | | | | | | | | | | | | | | | | | | | | | | | | | | | | | | | |
| | | 1 | | Brown | | | | | | | | | | | | | | | | | | | | | | | | | | | | | | | | |
| | | 2 | | Black | | | | | | | | | | | | | | | | | | | | | | | | | | | | | | | | |
| | | 3 | | Blue | | | | | | | | | | | | | | | | | | | | | | | | | | | | | | | | |
| | | 4 | | White | | | | | | | | | | | | | | | | | | | | | | | | | | | | | | | | |
| 5 | Yellow | | | | | | | | | | | | | | | | | | | | | | | | | | | | | | | | | | | |
| 1 m | F39-JG1B-L | | | | | | | | | | | | | | | | | | | | | | | | | | | | | | | | | | | |
| 3 m | F39-JG3B-L | | | | | | | | | | | | | | | | | | | | | | | | | | | | | | | | | | | |
| 5 m | F39-JG5B-L | | | | | | | | | | | | | | | | | | | | | | | | | | | | | | | | | | | |
| 7 m | F39-JG7B-L | | | | | | | | | | | | | | | | | | | | | | | | | | | | | | | | | | | |
| 10 m | F39-JG10B-L | | | | | | | | | | | | | | | | | | | | | | | | | | | | | | | | | | | |
| 15 m | F39-JG15B-L | | | | | | | | | | | | | | | | | | | | | | | | | | | | | | | | | | | |
| 20 m | F39-JG20B-L | | | | | | | | | | | | | | | | | | | | | | | | | | | | | | | | | | | |
| | For receiver M12 connector (8-pin) on both ends Color: Black | 0.5 m | Connected to Power Cable or Double-Ended Cable  Female <table border="1"> <tr><td>2</td><td>Brown</td></tr> <tr><td>7</td><td>Blue</td></tr> <tr><td>5</td><td>Black</td></tr> <tr><td>6</td><td>White</td></tr> <tr><td>1</td><td>Yellow</td></tr> <tr><td>8</td><td>Red</td></tr> <tr><td>3</td><td>Gray</td></tr> <tr><td>4</td><td>Pink</td></tr> </table> Connected to Single-Ended Cable, or Double-Ended Cable  Male <table border="1"> <tr><td>2</td><td>Brown</td></tr> <tr><td>7</td><td>Blue</td></tr> <tr><td>5</td><td>Black</td></tr> <tr><td>6</td><td>White</td></tr> <tr><td>1</td><td>Yellow</td></tr> <tr><td>8</td><td>Red</td></tr> <tr><td>3</td><td>Gray</td></tr> <tr><td>4</td><td>Pink</td></tr> </table> | 2 | Brown | 7 | Blue | 5 | Black | 6 | White | 1 | Yellow | 8 | Red | 3 | Gray | 4 | Pink | 2 | Brown | 7 | Blue | 5 | Black | 6 | White | 1 | Yellow | 8 | Red | 3 | Gray | 4 | Pink | F39-JGR5B-D |
| | | 2 | | Brown | | | | | | | | | | | | | | | | | | | | | | | | | | | | | | | | |
| | | 7 | | Blue | | | | | | | | | | | | | | | | | | | | | | | | | | | | | | | | |
| | | 5 | | Black | | | | | | | | | | | | | | | | | | | | | | | | | | | | | | | | |
| | | 6 | | White | | | | | | | | | | | | | | | | | | | | | | | | | | | | | | | | |
| | | 1 | | Yellow | | | | | | | | | | | | | | | | | | | | | | | | | | | | | | | | |
| | | 8 | | Red | | | | | | | | | | | | | | | | | | | | | | | | | | | | | | | | |
| | | 3 | | Gray | | | | | | | | | | | | | | | | | | | | | | | | | | | | | | | | |
| | | 4 | | Pink | | | | | | | | | | | | | | | | | | | | | | | | | | | | | | | | |
| | | 2 | | Brown | | | | | | | | | | | | | | | | | | | | | | | | | | | | | | | | |
| 7 | Blue | | | | | | | | | | | | | | | | | | | | | | | | | | | | | | | | | | | |
| 5 | Black | | | | | | | | | | | | | | | | | | | | | | | | | | | | | | | | | | | |
| 6 | White | | | | | | | | | | | | | | | | | | | | | | | | | | | | | | | | | | | |
| 1 | Yellow | | | | | | | | | | | | | | | | | | | | | | | | | | | | | | | | | | | |
| 8 | Red | | | | | | | | | | | | | | | | | | | | | | | | | | | | | | | | | | | |
| 3 | Gray | | | | | | | | | | | | | | | | | | | | | | | | | | | | | | | | | | | |
| 4 | Pink | | | | | | | | | | | | | | | | | | | | | | | | | | | | | | | | | | | |
| 1 m | F39-JG1B-D | | | | | | | | | | | | | | | | | | | | | | | | | | | | | | | | | | | |
| 3 m | F39-JG3B-D | | | | | | | | | | | | | | | | | | | | | | | | | | | | | | | | | | | |
| 5 m | F39-JG5B-D | | | | | | | | | | | | | | | | | | | | | | | | | | | | | | | | | | | |
| 7 m | F39-JG7B-D | | | | | | | | | | | | | | | | | | | | | | | | | | | | | | | | | | | |
| 10 m | F39-JG10B-D | | | | | | | | | | | | | | | | | | | | | | | | | | | | | | | | | | | |
| 15 m | F39-JG15B-D | | | | | | | | | | | | | | | | | | | | | | | | | | | | | | | | | | | |
| 20 m | F39-JG20B-D | | | | | | | | | | | | | | | | | | | | | | | | | | | | | | | | | | | |

* A set of two Double-Ended Cables (one for emitter and one for receiver) is also available.

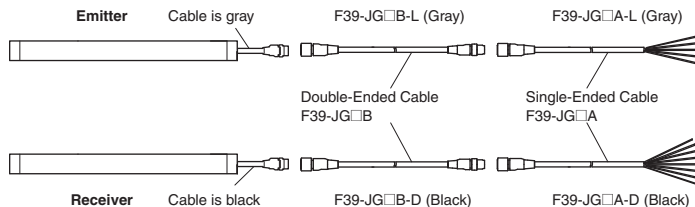
Model: Model number without the -L/-D at the end (F39-JG□B)

Note: To extend the cable length to more than 20 m, add the F39-JG□B Double-Ended Cable to the F39-JG□A Single-Ended Cable.


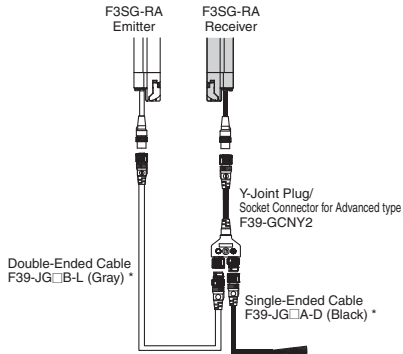
To extend the cable length to more than 40 m, add several Double-Ended Cables to the Single-Ended Cable.

Example: To extend the cable length to 50 m, connect two F39-JG20B (20 m) cables and one F39-JG10A (10 m) cable.

<Connection example>


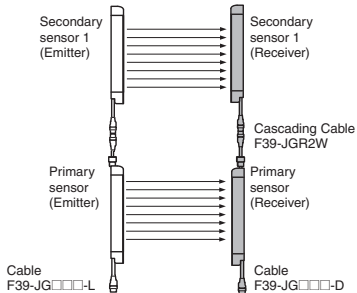


Y-Joint Plug/Socket Connector for F3SG-4RA□□□□-14/-4RA□□□□-30
For reduced wiring

| Appearance | Type | Cable length | Specifications | Model |
|---|--|--------------|--|------------------|
|  | M12 connectors. Used for reduced wiring. | 0.5 m |  | F39-GCNY2 |

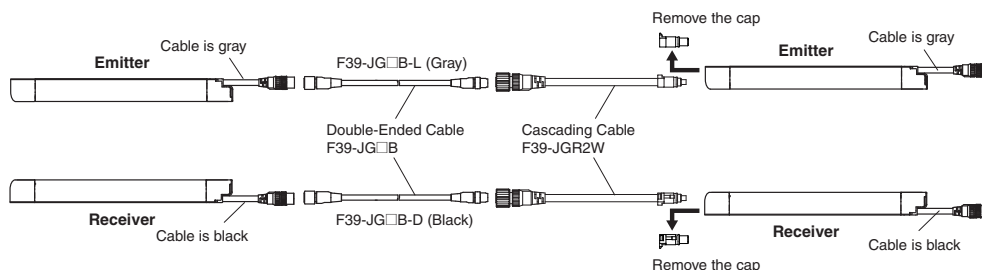
* Order the cable for emitter (end of model: -L) and the cable for receiver (end of model: -D).

Cascading Cable (2 cables per set, for emitter and receiver)





| Appearance | Type | Cable length | Specifications | Model |
|--|---|--------------|---|------------------|
|  | Emitter cable: Cap (5-pin), M12 connector (5-pin) Receiver cable: Cap (8-pin), M12 connector (8-pin) | 0.2 m |  | F39-JGR2W |

Note: The Double-Ended Cable (up to 10 m: F39-JG10B) can be added to extend the cable length between the series-connected sensors.
 Cable length between sensors: 10 m max. (not including cascading cable (F39-JGR2W) and power cable)

<Connection example>



Sensor Mounting Brackets

| Appearance | Specification | Application | Model |
|---|--|--|-------------------|
|  | Standard Fixed Bracket | Bracket to mount the F3SG-R. Side mounting and backside mounting possible. (This is included as a standard accessory with the product. It comes as a set of two Brackets. Refer to note *1 for the number of sets provided with each model.) | F39-LGF |
|  | Standard Adjustable Bracket | Bracket to mount the F3SG-R. Beam alignment after mounting possible. The angle adjustment range is $\pm 15^\circ$. Side mounting and backside mounting possible. (Sold separately as a set of two Brackets. Refer to note *1 for the number of sets required for each model.) | F39-LGA |
|  | Top/Bottom Adjustable Bracket *2 | Bracket to mount the F3SG-R. Use this bracket at the top and bottom positions of the F3SG-R. Beam alignment after mounting possible. The angle adjustment range is $\pm 22.5^\circ$. Side mounting and backside mounting possible. (Sold separately. 4 brackets per set.) | F39-LGTB |
|  | Top/Bottom Adjustable Bracket *2 (For user-made mounting part) | Top/Bottom Adjustable Bracket without a bracket to mount to the wall. Use the user's own wall mounting part to suit the machine. (Sold separately. 4 brackets per set.) | F39-LGTB-1 |

*1. [for F3SG-4RA□□□□-14]

- Protective height of 0160 to 1200: 2 sets, Protective height of 1280 to 2080: 3 sets

[for F3SG-4RA□□□□-30]

- Protective height of 0190 to 1230: 2 sets, Protective height of 1310 to 2270: 3 sets, Protective height of 2350 to 2510: 4 sets

*2. Top/Bottom Adjustable Bracket cannot be used with the Standard Fixed Bracket. Use with the Standard Adjustable Bracket.

Using Top/Bottom Adjustable Brackets with Standard Adjustable Brackets

F3SG-4RA□□□□-14: Protective height of 1040 or less: The Standard Adjustable Bracket is not required. Please purchase 1 set of Top/Bottom Adjustable Brackets (F39-LGTB(-1)).

Protective height of 1120 to 1920: Please purchase 1 set of Top/Bottom Adjustable Brackets (F39-LGTB(-1)) and 1 set of Standard Adjustable Brackets (F39-LGA).




Protective height of 2000 to 2080: Please purchase 1 set of Top/Bottom Adjustable Brackets (F39-LGTB(-1)) and 2 sets of Standard Adjustable Brackets (F39-LGA).

F3SG-4RA□□□□-30: Protective height of 1070 or less: The Standard Adjustable Bracket is not required. Please purchase 1 set of Top/Bottom Adjustable Brackets (F39-LGTB(-1)).


Protective height of 1150 to 1950: Please purchase 1 set of Top/Bottom Adjustable Brackets (F39-LGTB(-1)) and 1 set of Standard Adjustable Brackets (F39-LGA).

Protective height of 2030 to 2510: Please purchase 1 set of Top/Bottom Adjustable Brackets (F39-LGTB(-1)) and 2 sets of Standard Adjustable Brackets (F39-LGA).


Interface units and configuration tool SD Manager 2

| Appearance | Type | Specifications | Model |
|---|------------------------------|---|---------|
|  | SD Manager 2 | The Configuration Tool SD Manager 2 is available to download from our website at http://www.ia.omron.com/f3sg-r_tool . To change the settings of the F3SG-RA using SD Manager 2, it is necessary to set the receiver's two DIP switches No. 8 to ON. | - |
|  | Interface Unit | F39-GIF interface unit to connect the F3SG-RA receiver to a USB port of the PC Accessories: 0.3-m Dedicated Cable 1 (1), 2-m Dedicated Cable 2 (1), Instruction Manual | F39-GIF |
|  | Bluetooth Communication Unit | F39-BT bluetooth unit to enable bluetooth on the F3SG-RA IP67 rated when mated. | F39-BT |


Lamp

| Appearance | Type | Specifications | Model |
|--|---------------------------------------|---|----------|
|  | Lamp | The lamp can be connected to a receiver and turned ON based on the operation of F3SG-RA/RR. | F39-LP |
| | Lamp and Bluetooth Communication Unit | The lamp can indicate red, orange, and green colors, to which three different states can be assigned. IP67 rated when mated. | F39-BTLP |

End Cap

| Appearance | Specifications | Model |
|---|---|---------|
|  | Housing color: Black For both emitter and receiver (Attached to the F3SG-RA. The End Cap can be purchased if lost.) IP67 rated when mated. | F39-CNM |

Laser Pointer for F3SG-R


| Appearance | Specifications | Model |
|---|--|---------|
|  | The laser pointer is attached on the optical surface of the F3SG-R to help coarse adjustment of beams. | F39-PTG |

F3SG-RA

Spatter Protection Cover (2 covers per set, one for emitter and one for receiver)

Spatter Protection Covers include mounting brackets.

For Safety Light Curtain models of the protective height of 2,000 mm or longer, use two Spatter Protection Covers of different lengths.

| Appearance | Safety Light Curtain Model | | Model |
|---|----------------------------|-------------------------|-------------|
| | Finger protection | Hand and arm protection | |
|  | F3SG-4RA0160-14 | F3SG-4RA0190-30 | F39-HGA0200 |
| | F3SG-4RA0240-14 | F3SG-4RA0270-30 | F39-HGA0280 |
| | F3SG-4RA0320-14 | F3SG-4RA0350-30 | F39-HGA0360 |
| | F3SG-4RA0400-14 | F3SG-4RA0430-30 | F39-HGA0440 |
| | F3SG-4RA0480-14 | F3SG-4RA0510-30 | F39-HGA0520 |
| | F3SG-4RA0560-14 | F3SG-4RA0590-30 | F39-HGA0600 |
| | F3SG-4RA0640-14 | F3SG-4RA0670-30 | F39-HGA0680 |
| | F3SG-4RA0720-14 | F3SG-4RA0750-30 | F39-HGA0760 |
| | F3SG-4RA0800-14 | F3SG-4RA0830-30 | F39-HGA0840 |
| | F3SG-4RA0880-14 | F3SG-4RA0910-30 | F39-HGA0920 |
| | F3SG-4RA0960-14 | F3SG-4RA0990-30 | F39-HGA1000 |
| | F3SG-4RA1040-14 | F3SG-4RA1070-30 | F39-HGA1080 |
| | F3SG-4RA1120-14 | F3SG-4RA1150-30 | F39-HGA1160 |
| | F3SG-4RA1200-14 | F3SG-4RA1230-30 | F39-HGA1240 |
| | F3SG-4RA1280-14 | F3SG-4RA1310-30 | F39-HGA1320 |
| | F3SG-4RA1360-14 | F3SG-4RA1390-30 | F39-HGA1400 |
| | F3SG-4RA1440-14 | F3SG-4RA1470-30 | F39-HGA1480 |
| | F3SG-4RA1520-14 | F3SG-4RA1550-30 | F39-HGA1560 |
| | F3SG-4RA1600-14 | F3SG-4RA1630-30 | F39-HGA1640 |
| | F3SG-4RA1680-14 | F3SG-4RA1710-30 | F39-HGA1720 |
| | F3SG-4RA1760-14 | F3SG-4RA1790-30 | F39-HGA1800 |
| | F3SG-4RA1840-14 | F3SG-4RA1870-30 | F39-HGA1880 |
| | F3SG-4RA1920-14 | F3SG-4RA1950-30 | F39-HGA1960 |
| | F3SG-4RA2000-14 | F3SG-4RA2030-30 | F39-HGA1480 |
| | | | F39-HGA0550 |
| | F3SG-4RA2080-14 | F3SG-4RA2110-30 | F39-HGA1560 |
| | | | F39-HGA0550 |
| | - | F3SG-4RA2190-30 | F39-HGA1640 |
| | | | F39-HGA0550 |
| | - | F3SG-4RA2270-30 | F39-HGA1720 |
| F39-HGA0550 | | | |
| - | F3SG-4RA2350-30 | F39-HGA1800 | |
| | | F39-HGA0550 | |
| - | F3SG-4RA2430-30 | F39-HGA1880 | |
| | | F39-HGA0550 | |
| - | F3SG-4RA2510-30 | F39-HGA1960 | |
| | | F39-HGA0550 | |

Note: 1. The operating range of the Safety Light Curtain attached with the product is 10% shorter than the rating.

2. The product extends over the DIP Switch cover of the Safety Light Curtain. Be sure to use the product only after all required settings are made to the DIP Switch.

Test Rod

| Diameter | Model |
|------------|-----------|
| 14 mm dia. | F39-TRD14 |
| 30 mm dia. | F39-TRD30 |

Ratings and Specifications

Main unit

The □□□□ in the model names indicate the protective heights in millimeters.

| | | F3SG-4RA□□□□-14 F3SG-2RA□□□□-14 | F3SG-4RA□□□□-30 F3SG-2RA□□□□-30 | |
|----------------------------|--|--|--|-----------------------------------|
| Type of ESPE (IEC 61496-1) | Type 4 | F3SG-4RA□□□□-14/-30 | | |
| | Type 2 | F3SG-2RA□□□□-14/-30 | | |
| Performance | Object Resolution (Detection Capability) | Opaque objects | | |
| | Beam Gap | 14-mm dia. | 30-mm dia. | |
| | Number of Beams | 10 mm | 20 mm | |
| | Lens Size | 15 to 207 | 8 to 124 | |
| | Protective Height | 5.2 × 3.4 (W × H) mm | 7-mm dia. | |
| | Operating Range | Long | 160 to 2080 mm (6.3 to 81.9 inch) | 190 to 2510 mm (7.3 to 98.7 inch) |
| | | Short | 0.3 to 10.0 m (1 to 32 ft.) | 0.3 to 20.0 m (1 to 65 ft.) |
| | Response Time | ON to OFF | 0.3 to 3.0 m (1 to 10 ft.) | 0.3 to 7.0 m (1 to 23 ft.) |
| | | OFF to ON | Normal mode: 8 to 18 ms max. *1 Slow mode: 16 to 36 ms max. *1 *2 | |
| | Effective Aperture Angle (EAA) (IEC 61496-2) | Type 4 | 40 to 90 ms max. *1 | |
| | | Type 2 | *1. Response time when used in one segment system or in cascaded connection. Refer to page 25 for the one segment system. Refer to <i>Safety Light Curtain F3SG-R Series User's Manual (ManNo.: Z352)</i> for cascaded connection. *2. Selectable by Configuration Tool. | |
| | Light Source | ±2.5° max., emitter and receiver at operating range of 3 m or greater | | |
| | Startup Waiting Time | ±5.0° max., emitter and receiver at operating range of 3 m or greater | | |
| Power Supply Voltage (Vs) | Infrared LEDs, Wavelength: 870 nm | | | |
| Current Consumption | 2 s max. | | | |
| Safety Outputs (OSSD) | SELV/PELV 24 VDC±20% (ripple p-p 10% max.) | | | |
| Auxiliary Output | Refer to page 25. | | | |
| Output Operation Mode | Safety Output | Two PNP or NPN transistor outputs (PNP or NPN is selectable by DIP Switch.) Load current of 300 mA max., Residual voltage of 2 V max. (except for voltage drop due to cable extension), Capacitive load of 1 µF max., Inductive load of 2.2 H max. *1 Leakage current of 1 mA max. (PNP), 2 mA max. (NPN) *2 | | |
| Electrical | Input Voltage | ON Voltage | *1. The load inductance is the maximum value when the safety output frequently repeats ON and OFF. When you use the safety output at 4 Hz or less, the usable load inductance becomes larger. *2. These values must be taken into consideration when connecting elements including a capacitive load such as a capacitor. | |
| | | OFF Voltage | One PNP or NPN transistor output (PNP or NPN is selectable by DIP Switch.) Load current of 100 mA max., Residual voltage of 2 V max. | |
| | Overvoltage Category (IEC 60664-1) | Light-ON (Safety output is enabled when the receiver receives an emitting signal.) | | |
| | Indicators | Safety output (Inverted signal output:Enable) (default) (Configurable by Configuration Tool) | | |
| Protective Circuit | TEST: 24 V Active: 9 V to Vs (sink current 3 mA max.) * 0 V Active: 0 to 3 V (source current 3 mA max.) MUTE A/B: PNP: Vs to Vs-3 V (sink current 3 mA max.) * NPN: 0 to 3 V (source current 3 mA max.) RESET: PNP: Vs to Vs-3 V (sink current 5 mA max.) * NPN: 0 to 3 V (source current 5 mA max.) | | | |
| Insulation Resistance | TEST: 24 V Active : 0 to 1.5 V or open 0 V Active : 9 V to Vs or open MUTE A/B, RESET: PNP: 0 to 1/2 Vs, or open * NPN: 1/2 Vs to Vs, or open * | | | |
| Dielectric Strength | * The Vs indicates a supply voltage value in your environment. | | | |
| Functional | Mutual Interference Prevention (Scan Code) | II | | |
| | Cascade Connection | Refer to page 27. | | |
| | Test Function | Output short protection, Power supply reverse polarity protection | | |
| | Safety-Related Functions | 20 MΩ or higher (500 VDC megger) | | |
| Functional | Mutual Interference Prevention (Scan Code) | 1,000 VAC, 50/60 Hz (1 min) | | |
| | Cascade Connection | This function prevents mutual interference in up to two F3SG-RA systems. | | |
| | Test Function | Number of cascaded segments: 3 max. Total number of beams: 255 max. Cable length between sensors: 10 m max. (not including cascading cable (F39-JGR2W) and power cable) | | |
| | Safety-Related Functions | Self-test (at power-on, and during operation) External test (light emission stop function by test input) | | |
| Functional | Mutual Interference Prevention (Scan Code) | Interlock External device monitoring (EDM) Pre-reset Fixed blanking/Floating blanking Reduced resolution Muting/Override Scan code selection PNP/NPN selection Response time adjustment | | |
| | Cascade Connection | | | |
| | Test Function | | | |
| | Safety-Related Functions | | | |

| | | | F3SG-4RA□□□□-14 F3SG-2RA□□□□-14 | F3SG-4RA□□□□-30 F3SG-2RA□□□□-30 |
|--------------------------------|---|---|---|------------------------------------|
| Environmental | Ambient Temperature | Operating | -10 to 55°C (14 to 131°F) (non-icing) | |
| | | Storage | -25 to 70°C (-13 to 158°F) | |
| | Ambient Humidity | Operating | 35% to 85% (non-condensing) | |
| | | Storage | 35% to 95% | |
| | Ambient Illuminance | | Incandescent lamp: 3,000 lx max. on receiver surface Sunlight: 10,000 lx max. on receiver surface | |
| | Degree of Protection (IEC 60529) | | IP65 and IP67 | |
| | Vibration Resistance (IEC 61496-1) | | 10 to 55 Hz, Multiple amplitude of 0.7 mm, 20 sweeps for all 3 axes | |
| Shock Resistance (IEC 61496-1) | | 100 m/s ² , 1000 shocks for all 3 axes | | |
| Pollution Degree (IEC 60664-1) | | Pollution Degree 3 | | |
| Connections | Power cable | Type of Connection | M12 connectors: 5-pin emitter and 8-pin receiver, IP67 rated when mated, Cables prewired to the sensors | |
| | | Number of Wires | Emitter: 5, Receiver: 8 | |
| | | Cable Length | 0.3 m | |
| | | Cable Diameter | 6 mm | |
| | | Minimum Bending Radius | R5 mm | |
| | Cascading cable | Type of Connection | M12 connectors: 5-pin emitter and 8-pin receiver, IP67 rated when mated | |
| | | Number of Wires | Emitter: 5, Receiver: 8 | |
| | | Cable Length | 0.2 m | |
| | | Cable Diameter | 6 mm | |
| | Extension cable - Single-Ended Cable - Double-Ended Cable | Type of Connection | M12 connectors: 5-pin emitter and 8-pin receiver, IP67 rated when mated | |
| | | Number of Wires | Emitter: 5, Receiver: 8 | |
| | | Cable Length | Refer to page 18. | |
| | | Cable Diameter | 6.6 mm | |
| Extension of Power Cable | Minimum Bending Radius | R36 mm | | |
| | | | 100 m max. | |
| Material | Material | Housing: Aluminum alloy Cap: PBT resin Front window: Acrylic resin Cable: Oil-resistant PVC resin Standard Fixed Bracket (F39-LGF): Zinc alloy FE plate: Stainless steel | | |
| | Weight | Refer to page 25. | | |
| | Included Accessories | Safety Precautions, Quick Installation Manual, Standard Fixed Bracket *, Troubleshooting Guide Sticker, Warning Zone Label * The quantity of Standard Fixed Brackets included varies depending on the protective height. [F3SG-□RA□□□□-14] - Protective height of 0160 to 1200: 2 sets - Protective height of 1280 to 2080: 3 sets [F3SG-□RA□□□□-30] - Protective height of 0190 to 1230: 2 sets - Protective height of 1310 to 2270: 3 sets - Protective height of 2350 to 2510: 4 sets | | |
| Conformity | Conforming standards | | Refer to page 26. | |
| | Type of ESPE (IEC 61496-1) | | Type 4 | |
| | Performance Level (PL)/Safety category | Type 4 | PL e/Category 4 (EN ISO 13849-1:2015) | |
| | | Type 2 | PL c/Category 2 (EN ISO 13849-1:2015) | |
| | PFH ₀ | | 1.1 × 10 ⁻⁸ (IEC 61508) | |
| | Proof test interval T _M | | Every 20 years (IEC 61508) | |
| | SFF | | 99% (IEC 61508) | |
| HFT | | 1 (IEC 61508) | | |
| Classification | | Type B (IEC 61508-2) | | |

Bluetooth Communication Unit

| | |
|-----------------------|---|
| Communication System | Bluetooth Version 3.0 |
| Communication Profile | SPP (Serial Port Profile) |
| Transmission Distance | Approx. 10 m max. (Output power: Class 2) * |

* It depends on use environment conditions.

List of Models/Response Time/Current Consumption/Weight

F3SG-4RA□□□□-14/F3SG-2RA□□□□-14

| Model | | Number of Beams | Protective Height [mm] | Response Time [ms] *1 | | | Current Consumption [mA] | | Weight [kg] | |
|-----------------|-----------------|-----------------|------------------------|-----------------------|-------------------------|-----------------------------|--------------------------|----------|-------------|----------|
| | | | | ON → OFF *2 | OFF (Synchronized) → ON | OFF (Not synchronized) → ON | Emitter | Receiver | Net *3 | Gross *4 |
| F3SG-4RA0160-14 | F3SG-2RA0160-14 | 15 | 160 | 8 | 40 | 140 | 40 | 75 | 0.7 | 2.0 |
| F3SG-4RA0240-14 | F3SG-2RA0240-14 | 23 | 240 | 8 | 40 | 140 | 45 | 75 | 0.9 | 2.3 |
| F3SG-4RA0320-14 | F3SG-2RA0320-14 | 31 | 320 | 8 | 40 | 140 | 55 | 75 | 1.1 | 2.6 |
| F3SG-4RA0400-14 | F3SG-2RA0400-14 | 39 | 400 | 8 | 40 | 140 | 60 | 80 | 1.3 | 2.9 |
| F3SG-4RA0480-14 | F3SG-2RA0480-14 | 47 | 480 | 13 | 65 | 165 | 50 | 80 | 1.5 | 3.2 |
| F3SG-4RA0560-14 | F3SG-2RA0560-14 | 55 | 560 | 13 | 65 | 165 | 55 | 80 | 1.7 | 3.5 |
| F3SG-4RA0640-14 | F3SG-2RA0640-14 | 63 | 640 | 13 | 65 | 165 | 60 | 85 | 1.9 | 3.9 |
| F3SG-4RA0720-14 | F3SG-2RA0720-14 | 71 | 720 | 13 | 65 | 165 | 65 | 85 | 2.1 | 4.2 |
| F3SG-4RA0800-14 | F3SG-2RA0800-14 | 79 | 800 | 13 | 65 | 165 | 65 | 90 | 2.3 | 4.5 |
| F3SG-4RA0880-14 | F3SG-2RA0880-14 | 87 | 880 | 13 | 65 | 165 | 70 | 90 | 2.6 | 4.8 |
| F3SG-4RA0960-14 | F3SG-2RA0960-14 | 95 | 960 | 13 | 65 | 165 | 75 | 90 | 2.8 | 5.1 |
| F3SG-4RA1040-14 | F3SG-2RA1040-14 | 103 | 1040 | 13 | 65 | 165 | 80 | 95 | 3.0 | 5.4 |
| F3SG-4RA1120-14 | F3SG-2RA1120-14 | 111 | 1120 | 13 | 65 | 165 | 85 | 95 | 3.2 | 5.7 |
| F3SG-4RA1200-14 | F3SG-2RA1200-14 | 119 | 1200 | 13 | 65 | 165 | 90 | 100 | 3.4 | 6.0 |
| F3SG-4RA1280-14 | F3SG-2RA1280-14 | 127 | 1280 | 13 | 65 | 165 | 95 | 100 | 3.6 | 6.4 |
| F3SG-4RA1360-14 | F3SG-2RA1360-14 | 135 | 1360 | 13 | 65 | 165 | 95 | 105 | 3.8 | 6.7 |
| F3SG-4RA1440-14 | F3SG-2RA1440-14 | 143 | 1440 | 18 | 90 | 190 | 85 | 105 | 4.0 | 7.0 |
| F3SG-4RA1520-14 | F3SG-2RA1520-14 | 151 | 1520 | 18 | 90 | 190 | 90 | 105 | 4.2 | 7.3 |
| F3SG-4RA1600-14 | F3SG-2RA1600-14 | 159 | 1600 | 18 | 90 | 190 | 90 | 110 | 4.4 | 7.6 |
| F3SG-4RA1680-14 | F3SG-2RA1680-14 | 167 | 1680 | 18 | 90 | 190 | 95 | 110 | 4.7 | 7.9 |
| F3SG-4RA1760-14 | F3SG-2RA1760-14 | 175 | 1760 | 18 | 90 | 190 | 100 | 115 | 4.9 | 8.2 |
| F3SG-4RA1840-14 | F3SG-2RA1840-14 | 183 | 1840 | 18 | 90 | 190 | 100 | 115 | 5.1 | 8.5 |
| F3SG-4RA1920-14 | F3SG-2RA1920-14 | 191 | 1920 | 18 | 90 | 190 | 105 | 120 | 5.3 | 8.8 |
| F3SG-4RA2000-14 | F3SG-2RA2000-14 | 199 | 2000 | 18 | 90 | 190 | 105 | 120 | 5.5 | 9.2 |
| F3SG-4RA2080-14 | F3SG-2RA2080-14 | 207 | 2080 | 18 | 90 | 190 | 110 | 125 | 5.7 | 9.5 |

*1. The maximum speed of movement of a test rod up to which the detection capability is maintained is 2.0 m/s.

*2. The response times are values when Scan Code is set at Code B. The response times for Code A are 1 ms shorter than these values.

*3. The net weight is the weight of an emitter and a receiver.

*4. The gross weight is the weight of an emitter, a receiver, included accessories and a package.

F3SG-4RA□□□□-30/F3SG-2RA□□□□-30

| Model | | Number of Beams | Protective Height [mm] | Response Time [ms] *1 | | | Current Consumption [mA] | | Weight [kg] | |
|-----------------|-----------------|-----------------|------------------------|-----------------------|-------------------------|-----------------------------|--------------------------|----------|-------------|----------|
| | | | | ON → OFF *2 | OFF (Synchronized) → ON | OFF (Not synchronized) → ON | Emitter | Receiver | Net *3 | Gross *4 |
| F3SG-4RA0190-30 | F3SG-2RA0190-30 | 8 | 190 | 8 | 40 | 140 | 35 | 75 | 0.6 | 2.1 |
| F3SG-4RA0270-30 | F3SG-2RA0270-30 | 12 | 270 | 8 | 40 | 140 | 35 | 75 | 0.9 | 2.4 |
| F3SG-4RA0350-30 | F3SG-2RA0350-30 | 16 | 350 | 8 | 40 | 140 | 40 | 75 | 1.1 | 2.7 |
| F3SG-4RA0430-30 | F3SG-2RA0430-30 | 20 | 430 | 8 | 40 | 140 | 45 | 75 | 1.3 | 3.0 |
| F3SG-4RA0510-30 | F3SG-2RA0510-30 | 24 | 510 | 8 | 40 | 140 | 50 | 75 | 1.5 | 3.3 |
| F3SG-4RA0590-30 | F3SG-2RA0590-30 | 28 | 590 | 8 | 40 | 140 | 50 | 75 | 1.7 | 3.6 |
| F3SG-4RA0670-30 | F3SG-2RA0670-30 | 32 | 670 | 8 | 40 | 140 | 55 | 75 | 1.9 | 3.9 |
| F3SG-4RA0750-30 | F3SG-2RA0750-30 | 36 | 750 | 8 | 40 | 140 | 60 | 80 | 2.1 | 4.2 |
| F3SG-4RA0830-30 | F3SG-2RA0830-30 | 40 | 830 | 8 | 40 | 140 | 65 | 80 | 2.3 | 4.5 |
| F3SG-4RA0910-30 | F3SG-2RA0910-30 | 44 | 910 | 13 | 65 | 165 | 50 | 80 | 2.5 | 4.8 |
| F3SG-4RA0990-30 | F3SG-2RA0990-30 | 48 | 990 | 13 | 65 | 165 | 50 | 80 | 2.7 | 5.1 |
| F3SG-4RA1070-30 | F3SG-2RA1070-30 | 52 | 1070 | 13 | 65 | 165 | 55 | 80 | 2.9 | 5.4 |
| F3SG-4RA1150-30 | F3SG-2RA1150-30 | 56 | 1150 | 13 | 65 | 165 | 55 | 85 | 3.1 | 5.7 |
| F3SG-4RA1230-30 | F3SG-2RA1230-30 | 60 | 1230 | 13 | 65 | 165 | 55 | 85 | 3.3 | 6.0 |
| F3SG-4RA1310-30 | F3SG-2RA1310-30 | 64 | 1310 | 13 | 65 | 165 | 60 | 85 | 3.5 | 6.3 |
| F3SG-4RA1390-30 | F3SG-2RA1390-30 | 68 | 1390 | 13 | 65 | 165 | 60 | 85 | 3.8 | 6.6 |
| F3SG-4RA1470-30 | F3SG-2RA1470-30 | 72 | 1470 | 13 | 65 | 165 | 65 | 85 | 4.0 | 6.9 |
| F3SG-4RA1550-30 | F3SG-2RA1550-30 | 76 | 1550 | 13 | 65 | 165 | 65 | 90 | 4.2 | 7.2 |
| F3SG-4RA1630-30 | F3SG-2RA1630-30 | 80 | 1630 | 13 | 65 | 165 | 70 | 90 | 4.4 | 7.5 |
| F3SG-4RA1710-30 | F3SG-2RA1710-30 | 84 | 1710 | 13 | 65 | 165 | 70 | 90 | 4.6 | 7.8 |
| F3SG-4RA1790-30 | F3SG-2RA1790-30 | 88 | 1790 | 13 | 65 | 165 | 70 | 90 | 4.8 | 8.1 |
| F3SG-4RA1870-30 | F3SG-2RA1870-30 | 92 | 1870 | 13 | 65 | 165 | 75 | 90 | 5.0 | 8.4 |
| F3SG-4RA1950-30 | F3SG-2RA1950-30 | 96 | 1950 | 13 | 65 | 165 | 75 | 95 | 5.2 | 8.7 |
| F3SG-4RA2030-30 | F3SG-2RA2030-30 | 100 | 2030 | 13 | 65 | 165 | 80 | 95 | 5.4 | 9.0 |
| F3SG-4RA2110-30 | F3SG-2RA2110-30 | 104 | 2110 | 13 | 65 | 165 | 80 | 95 | 5.6 | 9.3 |
| F3SG-4RA2190-30 | F3SG-2RA2190-30 | 108 | 2190 | 13 | 65 | 165 | 85 | 95 | 5.8 | 9.6 |
| F3SG-4RA2270-30 | F3SG-2RA2270-30 | 112 | 2270 | 13 | 65 | 165 | 85 | 100 | 6.0 | 9.9 |
| F3SG-4RA2350-30 | F3SG-2RA2350-30 | 116 | 2350 | 13 | 65 | 165 | 85 | 100 | 6.2 | 10.2 |
| F3SG-4RA2430-30 | F3SG-2RA2430-30 | 120 | 2430 | 13 | 65 | 165 | 90 | 100 | 6.4 | 10.5 |
| F3SG-4RA2510-30 | F3SG-2RA2510-30 | 124 | 2510 | 13 | 65 | 165 | 90 | 100 | 6.7 | 10.8 |

*1. The maximum speed of movement of a test rod up to which the detection capability is maintained is 2.0 m/s.

*2. The response times are values when Scan Code is set at Code B. The response times for Code A are 1 ms shorter than these values.

*3. The net weight is the weight of an emitter and a receiver.

*4. The gross weight is the weight of an emitter, a receiver, included accessories and a package.

Legislation and Standards

1. The F3SG-R does not receive type approval provided by Article 44-2 of the Industrial Safety and Health Act of Japan. When using the F3SG-R in Japan as a "safety system for pressing or shearing machines" prescribed in Article 42 of that law, the machine control system must receive type approval.
2. The F3SG-R is electro-sensitive protective equipment (ESPE) in accordance with European Union (EU) Machinery Directive Index Annex V, Item 2.
3. EC Declaration of Conformity
OMRON declares that the F3SG-R is in conformity with the requirements of the following EC Directives:
Machinery Directive 2006/42/EC
EMC Directive 2014/30/EU
4. Conforming Standards
 - (1) European standards
EN61496-1 (Type 4 and Type 2 ESPE), EN 61496-2 (Type 4 and Type 2 AOPD), EN61508-1 through -4 (SIL 3 for Type 4 and SIL 1 for Type 2), EN ISO 13849-1:2015 (PL e, Category 4 for Type 4 and PL c, Category 2 for Type 2)
 - (2) International standards
IEC61496-1 (Type 4 and Type 2 ESPE), IEC61496-2 (Type 4 and Type 2 AOPD), IEC61508-1 through -4 (SIL 3 for Type 4 and SIL 1 for Type 2), ISO 13849-1:2015 (PL e, Category 4 for Type 4 and PL c, Category 2 for Type 2)
 - (3) JIS standards
JIS B 9704-1 (Type 4 and Type 2 ESPE), JIS B 9704-2 (Type 4 and Type 2 AOPD)
 - (4) North American standards
UL61496-1 (Type 4 and Type 2 ESPE), UL61496-2 (Type 4 and Type 2 AOPD), UL508, UL1998, CAN/CSA C22.2 No.14, CAN/CSA C22.2 No.0.8
 - (5) Chinese standards
GB/T 4584 (Specification of active opto-electronic protective devices for presses)
5. Third-Party Certifications
 - (1) TÜV SÜD
 - EC Type-Examination certificate:
EU Machinery Directive, Type 4 and Type 2 ESPE (EN61496-1), Type 4 and Type 2 AOPD (EN 61496-2)
 - Certificate:
Type 4 and Type 2 ESPE (EN61496-1), Type 4 and Type 2 AOPD (EN61496-2), EN 61508-1 through -4 (SIL 3 for Type 4 and SIL 1 for Type 2), EN ISO 13849-1:2015 (PL e, Category 4 for Type 4, and PL c, Category 2 for Type 2)
 - (2) UL
 - UL Listing:
Type 4 and Type 2 ESPE (UL61496-1), Type 4 and Type 2 AOPD (UL61496-2), UL508, UL1998, CAN/CSA C22.2 No.14, CAN/CSA C22.2 No.0.8
 - (3) China National Casting and Forging Machines Quality Supervision and Inspection Center
 - Certificate:
GB/T 4584 (Specification of active opto-electronic protective devices for presses)
6. Other Standards
The F3SG-R is designed according to the standards listed below. To make sure that the final system complies with the following standards and regulations, you are asked to design and use it in accordance with all other related standards, laws, and regulations. If you have any questions, consult with specialized organizations such as the body responsible for prescribing and/or enforcing machinery safety regulations in the location where the equipment is to be used.
 - European Standards: EN415-4, EN691-1, EN692, EN693, IEC 62046
 - U.S. Occupational Safety and Health Standards: OSHA 29 CFR 1910.212
 - U.S. Occupational Safety and Health Standards: OSHA 29 CFR 1910.217
 - American National Standards: ANSI B11.1 to B11.19
 - American National Standards: ANSI/RIA R15.06
 - Canadian Standards Association CSA Z142, Z432, Z434
 - SEMI Standards SEMI S2
 - Japan Ministry of Health, Labour and Welfare "Guidelines for Comprehensive Safety Standards of Machinery", Standard Bureau's Notification No. 0731001 dated July 31, 2007.rms and Conditions Agreement
 - Chinese National Standards: GB17120, GB27607

Indicator

Emitter

| Name of Indicator | | Color | Illuminated | Blinking |
|-------------------|---------|-------|-----------------------------|--|
| Test | TEST | Green | – | External Test is being performed |
| Operating range | LONG | Green | Long range mode is selected | Lockout state due to DIP Switch setting error or Operating range selection setting error |
| Power | POWER | Green | Power is ON. | Error due to noise |
| Lockout | LOCKOUT | Red | – | Lockout state due to error in emitter |

Receiver

| Name of Indicator | | Color | Illuminated | Blinking |
|----------------------------|----------|--------|--|---|
| Top-beam-state | TOP | Blue | The top beam is unblocked | Muting/Override state, or Lockout state due to Cap error or Other sensor error |
| PNP/NPN mode | NPN | Green | NPN mode is selected by DIP Switch | – |
| Response time | SLOW | Green | Response Time Adjustment is enabled | – |
| Sequence error | SEQ | Yellow | – | Sequence error in Muting or Pre-reset mode |
| Blanking | BLANK | Green | Blanking, Warning Zone or Reduced Resolution is enabled | Teach-in mode, or Blanking Monitoring error |
| Configuration | CFG | Green | – | Teach-in mode, zone measurement being performed by Dynamic Muting, or Lockout state due to Parameter error or Cascading Configuration error |
| Interlock | INT-LK | Yellow | Interlock state | Pre-reset mode |
| External device monitoring | EDM | Green | RESET input is in ON state * | Lockout state due to EDM error |
| Internal error | INTERNAL | Red | – | Lockout state due to Internal error, or error due to abnormal power supply or noise |
| Lockout | LOCKOUT | Red | – | Lockout state due to error in receiver |
| Stable-state | STB | Green | Incident light level is 170% or higher of ON-threshold | Safety output is instantaneously turned OFF due to ambient light or vibration |
| ON/OFF | ON/OFF | Green | Safety output is in ON state | – |
| | | Red | Safety output is in OFF state, or the sensor is in Setting state | Lockout state due to Safety Output error, or error due to abnormal power supply or noise |
| Communication | COM | Green | Synchronization between emitter and receiver is maintained | Lockout state due to Communication error, or error due to abnormal power supply or noise |
| Bottom-beam-state | BTM | Blue | The bottom beam is unblocked | Muting/Override state, or Lockout state due to DIP Switch setting error |

* The LED is illuminated when the EDM input is in ON state regardless of wiring with EDM used or unused.

Interface Unit

| | |
|-----------------------|---|
| Main unit | PC/AT compatible machine (computer that runs Microsoft Windows) |
| Operating system (OS) | Windows 7 (32-bit/64-bit), Windows 8, 8.1 (32-bit/64-bit), Windows 10 (32-bit/64-bit) |
| Communication port | USB port ×1 |
| Ambient temperature | Operating: -10 to 55°C, Storage: -30 to 70°C (non-icing and non-condensing) |
| Ambient humidity | Operating: 35% to 85%, Storage: 35% to 95% (non-condensing) |

Lamp

| Item | F39-LP |
|----------------------|---|
| Applicable Sensor | F3SG-□RA/RR Series Safety Light Curtain (Receiver) |
| LED Light Color | Red/Orange/Green |
| Power Supply Voltage | 24 VDC±20%, ripple p-p 10% max. (shares sensor's power supply) |
| Current Consumption | 25 mA max. (shares sensor's power supply.) |
| Ambient Temperature | Operating: -10 to 55°C, Storage: -25 to 70°C |
| Ambient Humidity | Operating: 35% to 85%, Storage: 35% to 95% |
| Vibration Resistance | 10 to 55 Hz, Multiple amplitude of 0.7 mm, 20 sweeps for all 3 axes |
| Shock Resistance | 100 m/s ² , 1000 shocks for all 3 axes |
| Degree of Protection | IP65 and IP67 (When attached to F3SG) |
| Type of Connection | Connectable to F3SG-RA's terminal connector |
| Material | Lighting element: PC, Other body parts: PBT |
| Weight | 45 g (when packaged) |

F3SG-RA

Connections (Basic Wiring Diagram)

Standalone F3SG-RA using PNP Outputs

Standard Muting Mode/Exit-Only Muting Mode using PNP Outputs

The following is the example of External Device Monitoring disabled, Auto Reset mode, PNP output and External Test in 24 V Active.

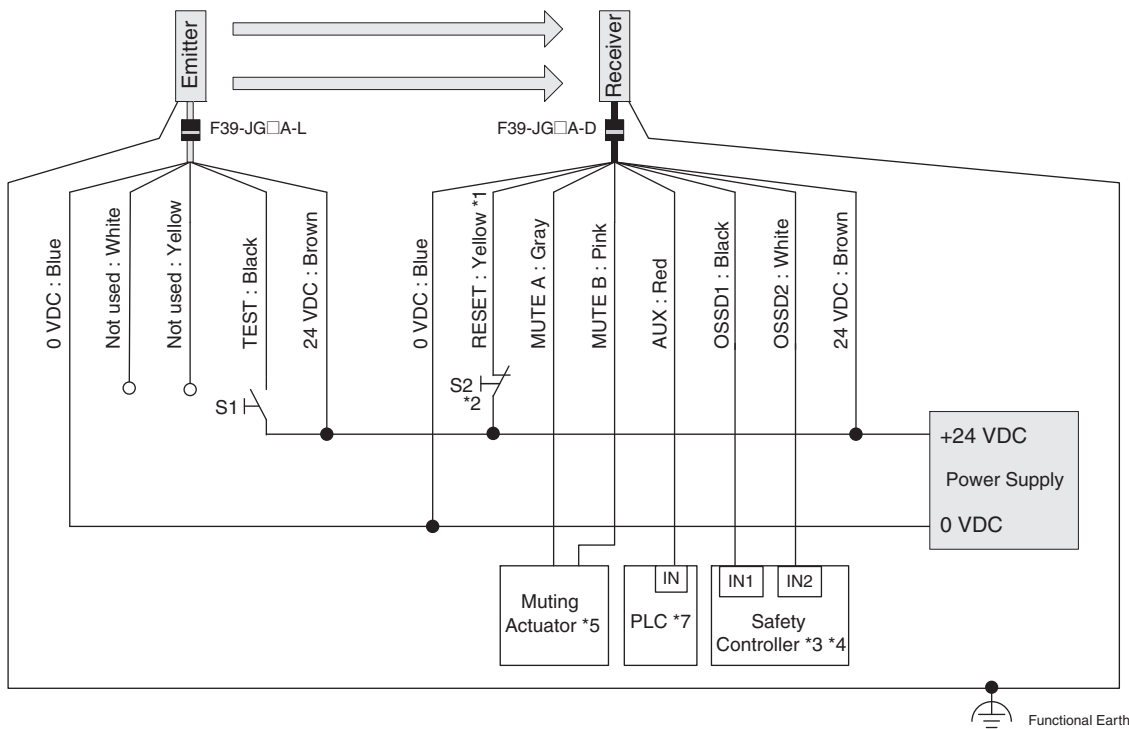
DIP Switch settings *6

| | Function | DIP-SW1 | DIP-SW2 |
|----------|--|--|--|
| Receiver | EDM Disabled (factory default setting) | 2 <input checked="" type="checkbox"/> ON | 2 <input checked="" type="checkbox"/> ON |
| | Auto Reset (factory default setting) | 3 <input checked="" type="checkbox"/> ON | 3 <input checked="" type="checkbox"/> ON |
| | | 4 <input checked="" type="checkbox"/> ON | 4 <input checked="" type="checkbox"/> ON |
| | PNP (factory default setting) | 7 <input checked="" type="checkbox"/> ON | 7 <input checked="" type="checkbox"/> ON |
| Emitter | External Test: 24 V Active (factory default setting) | 4 <input checked="" type="checkbox"/> ON | |

: Indicates a switch position.

Configure functions with the DIP Switches before wiring.

Wiring Example



S1: Test Switch (Connect the line to 0 V if this switch is not required)

S2: Lockout/Interlock Reset Switch, Override Switch or Override Cancel Switch

*1. Also used as Override input line.

*2. Make sure to connect an override cancel switch to the Reset line when using the override function. Otherwise the override state may not be released by the override cancel switch, resulting in serious injury.

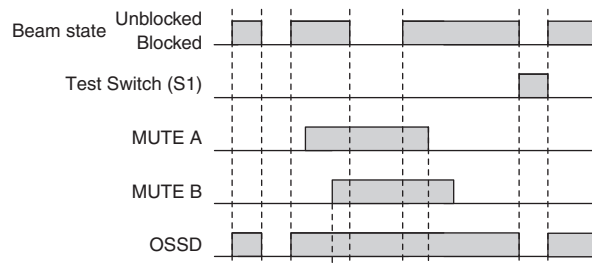
*3. Refer to page 30 for more information.

*4. The safety controller and the F3SG-RA must share the power supply or be connected to the common terminal of the power supply.

*5. Refer to *Smart Muting Actuator F3W-MA Series User's Manual* for more information.

*6. The functions are configurable with DIP Switch. Refer to *Safety Light Curtain F3SG-R Series User's Manual* for more information on setting the functions by the DIP Switch.

*7. When connecting to the PLC, the output mode must be changed with the Configuration Tool according to your application.



Note: Functional earth connection is unnecessary when you use the F3SG-RA in a general industrial environment where noise control or stable power supply is considered. However, when you use the F3SG-RA in an environment where there may be excessive noise from surroundings or stable power supply may be interfered, it is recommended the F3SG-RA be connected to functional earth. The wiring examples in later examples do not indicate functional earth. To use functional earth, wire an earth cable according to the example above. Refer to *Safety Light Curtain F3SG-R Series User's Manual* for more information.

Standalone F3SG-RA using NPN Outputs

Standard Muting Mode/Exit-Only Muting Mode using NPN Outputs

The following is the example of External Device Monitoring enabled, Auto Reset mode, NPN output and External Test in 0 V Active.

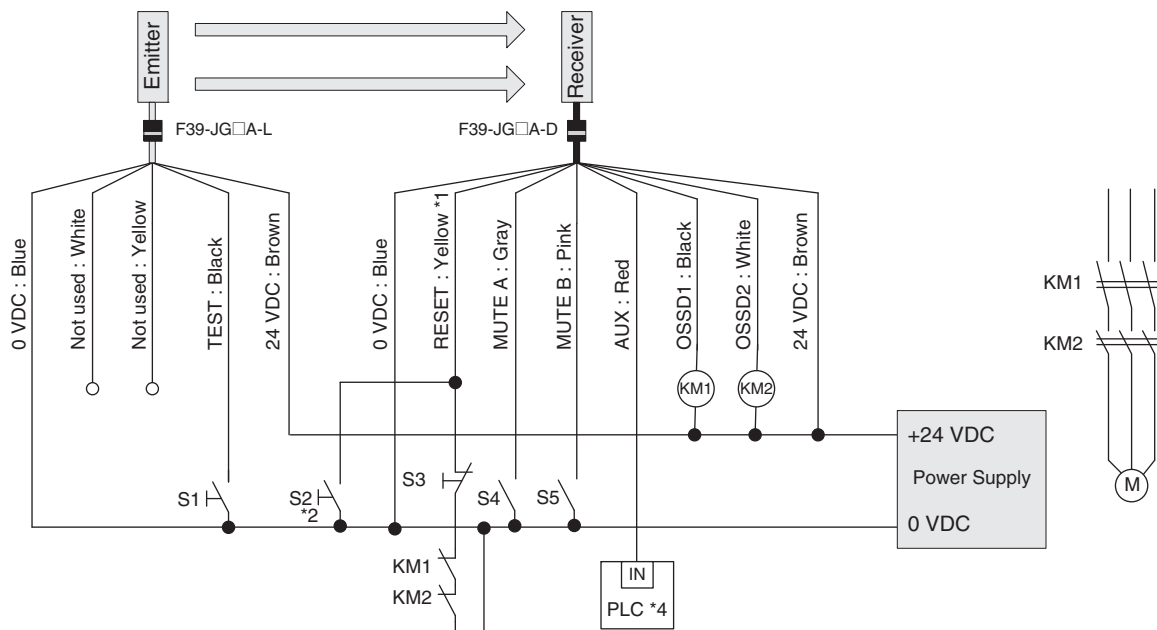
DIP Switch settings *3

| | Function | DIP-SW1 | DIP-SW2 |
|----------|--------------------------------------|--|--|
| Receiver | EDM Enabled | 2 <input checked="" type="checkbox"/> ON | 2 <input checked="" type="checkbox"/> ON |
| | Auto Reset (factory default setting) | 3 <input checked="" type="checkbox"/> ON | 3 <input checked="" type="checkbox"/> ON |
| | | 4 <input checked="" type="checkbox"/> ON | 4 <input checked="" type="checkbox"/> ON |
| | | 7 <input checked="" type="checkbox"/> ON | 7 <input checked="" type="checkbox"/> ON |
| Emitter | External Test: 0 V Active | 4 <input checked="" type="checkbox"/> ON | |

: Indicates a switch position.

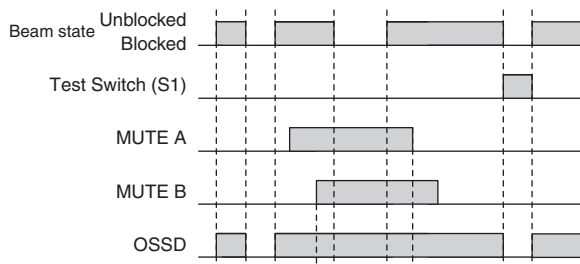
Configure functions with the DIP Switches before wiring.

Wiring Example



- S1: Test Switch (Connect the line to 24 V if this switch is not required)
- S2: Override Cancel Switch
- S3: Lockout/Interlock Reset Switch or Override Switch
- S4, S5: Muting sensor
- KM1, KM2: Safety relay with forcibly guided contacts (G7SA) or magnetic contactor
- M: Motor

- *1. Also used as Override input line.
- *2. Make sure to connect an override cancel switch to the Reset line when using the override function. Otherwise the override state may not be released by the override cancel switch, resulting in serious injury.
- *3. The functions are configurable with DIP Switch. Refer to *Safety Light Curtain F3SG-R Series User's Manual* for more information on setting the functions by the DIP Switch.
- *4. When connecting to the PLC, the output mode must be changed with the Configuration Tool according to your application.



Note: For the functional earth connection, refer to page 28.

Connectable Safety Control Units

The F3SG-RA with PNP output can be connected to the safety control units listed in the table below.

| Connectable Safety Control Units (PNP output) | | |
|--|---|--|
| Safety Relay Units | Flexible Safety Units | Safety Controllers |
| G9SA-301 G9SA-321-T□ G9SA-501 G9SB-200-B G9SB-200-D G9SB-301-B G9SB-301-D G9SE-201 G9SE-401 G9SE-221-T□ | G9SX-AD322-T G9SX-ADA222-T G9SX-BC202 G9SX-GS226-T15 | G9SP-N10S G9SP-N10D G9SP-N20S NE0A-SCPU01 NE1A-SCPU01 NE1A-SCPU02 DST1-ID12SL-1 DST1-MD16SL-1 DST1-MRD08SL-1 NX-SIH400 NX-SID800 F3SP-T01 |

The F3SG-R with NPN output can be connected to the safety control unit listed in the table below.

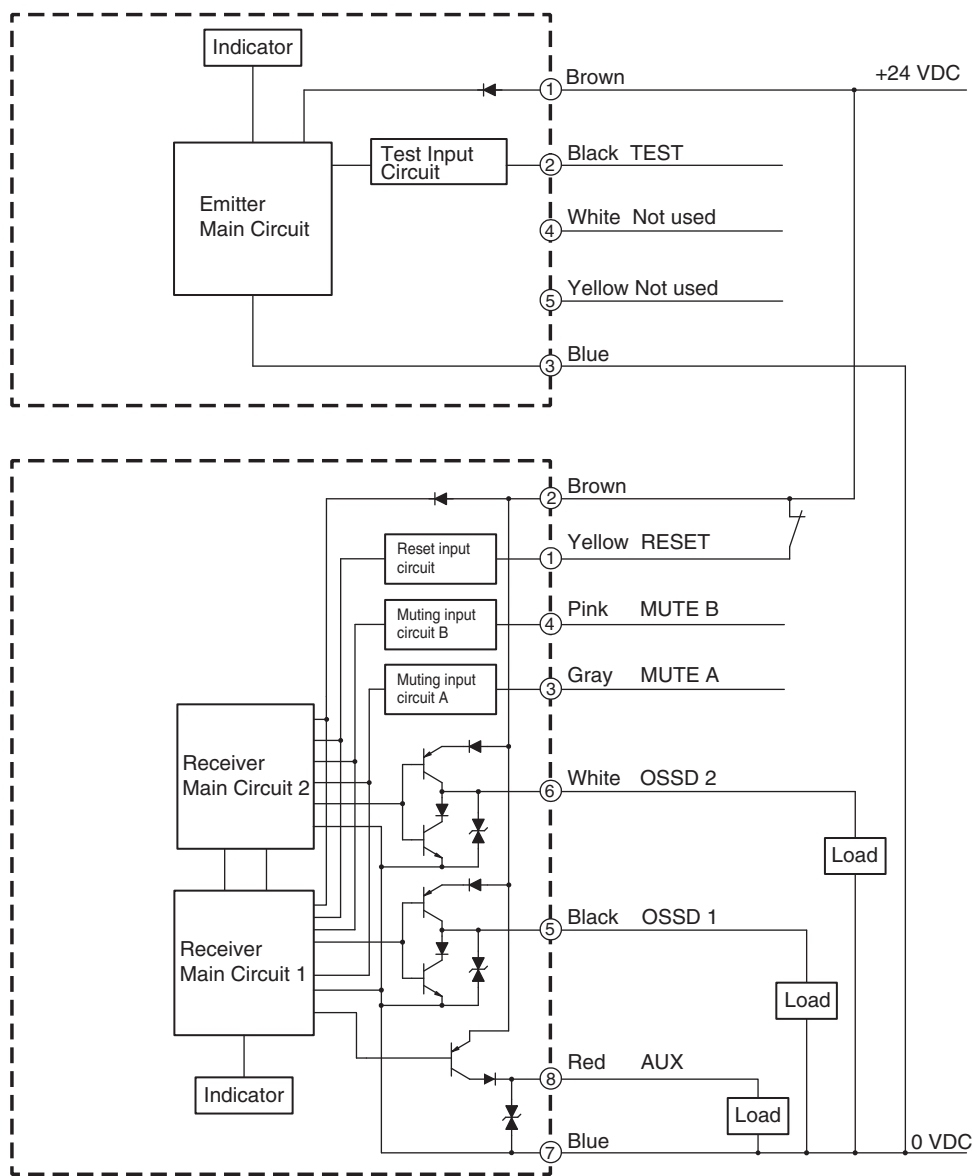
| Connectable Safety Control Units (NPN output) |
|---|
| Safety Relay Units |
| G9SA-301-P |

Input/Output Circuit

Entire Circuit Diagram

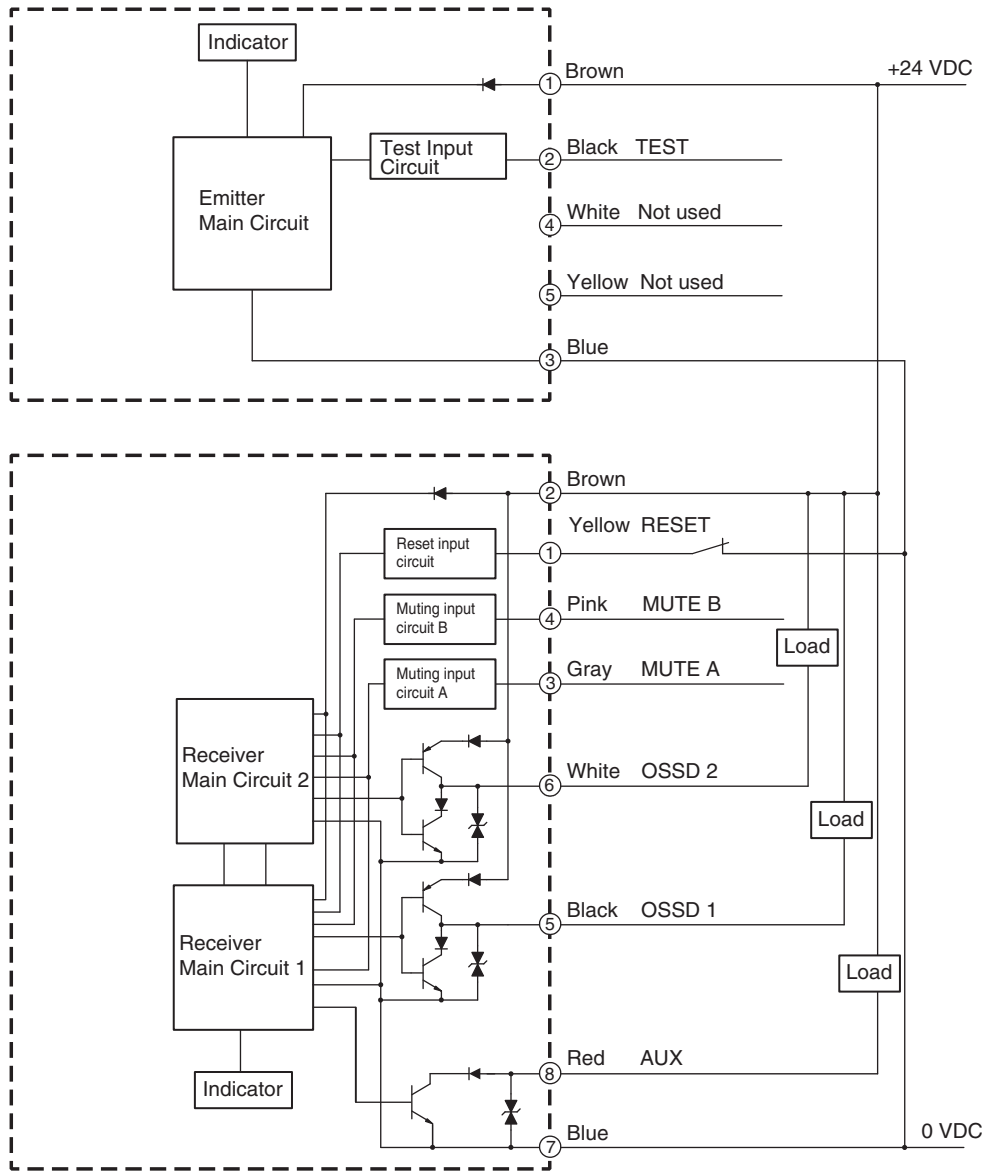
The entire circuit diagram of the F3SG-RA is shown below.
The numbers in the circles indicate the connector's pin numbers.

PNP Output



F3SG-RA

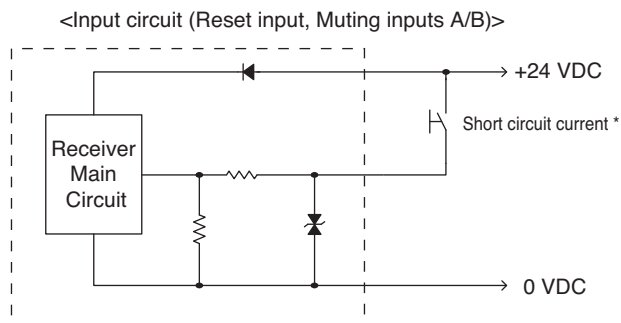
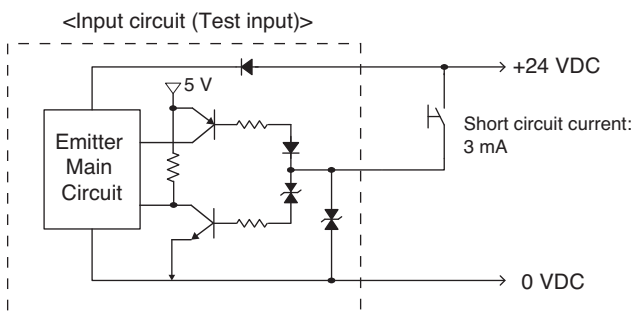
NPN Output



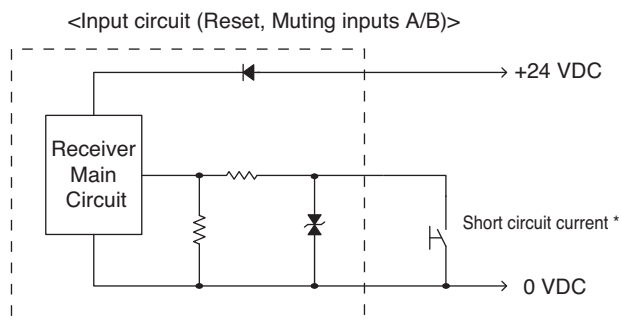
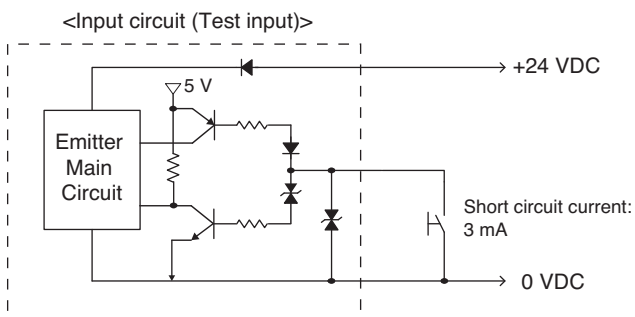
Input Circuit Diagram by Function

The input circuit diagrams of by function are shown below.

PNP Output



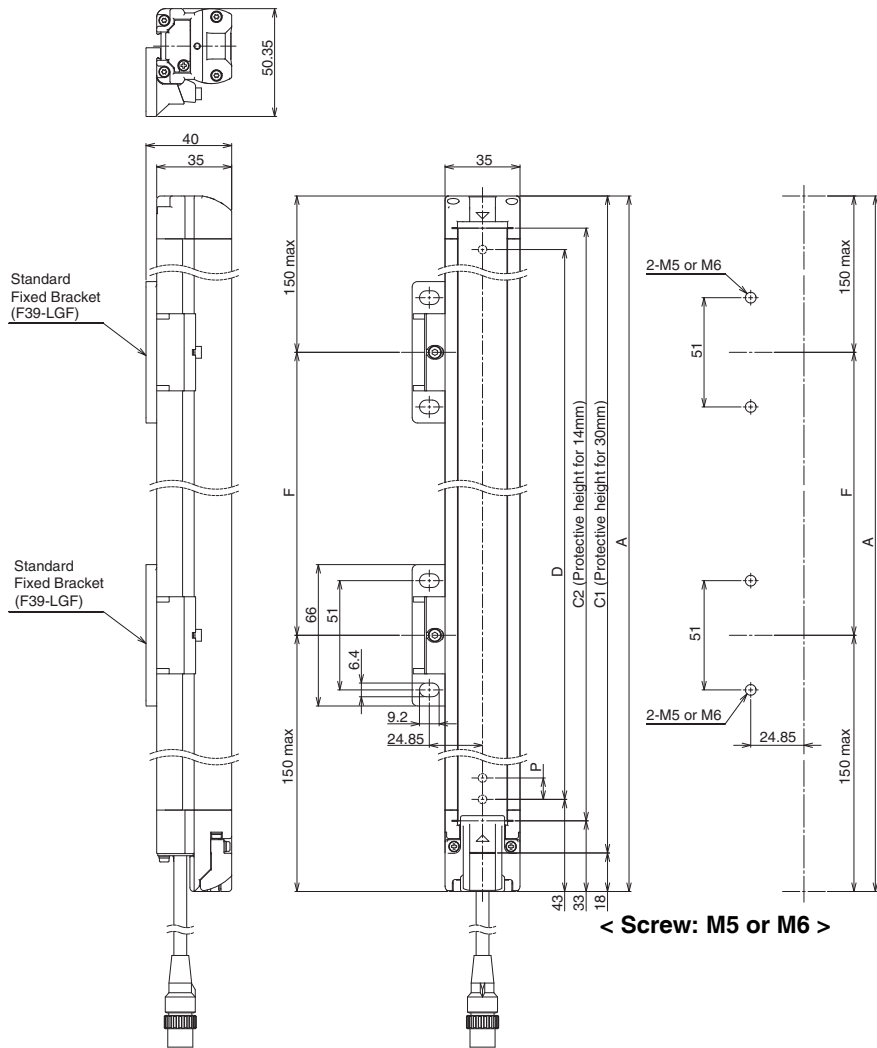
NPN Output



*Short circuit current: 5mA (Reset input), 3mA (Muting inputs A/B)

Mounted with Standard Fixed Brackets (F39-LGF)

Backside Mounting



F3SG-□RA□□□□-30 Series

| | |
|--------------|---|
| Dimension A | C1+18 |
| Dimension C1 | 4-digit number of the type name (Protective height) |
| Dimension D | C1-50 |
| Dimension P | 20 |

F3SG-□RA□□□□-14 Series

| | |
|--------------|---|
| Dimension A | C2+48 |
| Dimension C2 | 4-digit number of the type name (Protective height) |
| Dimension D | C2-20 |
| Dimension P | 10 |

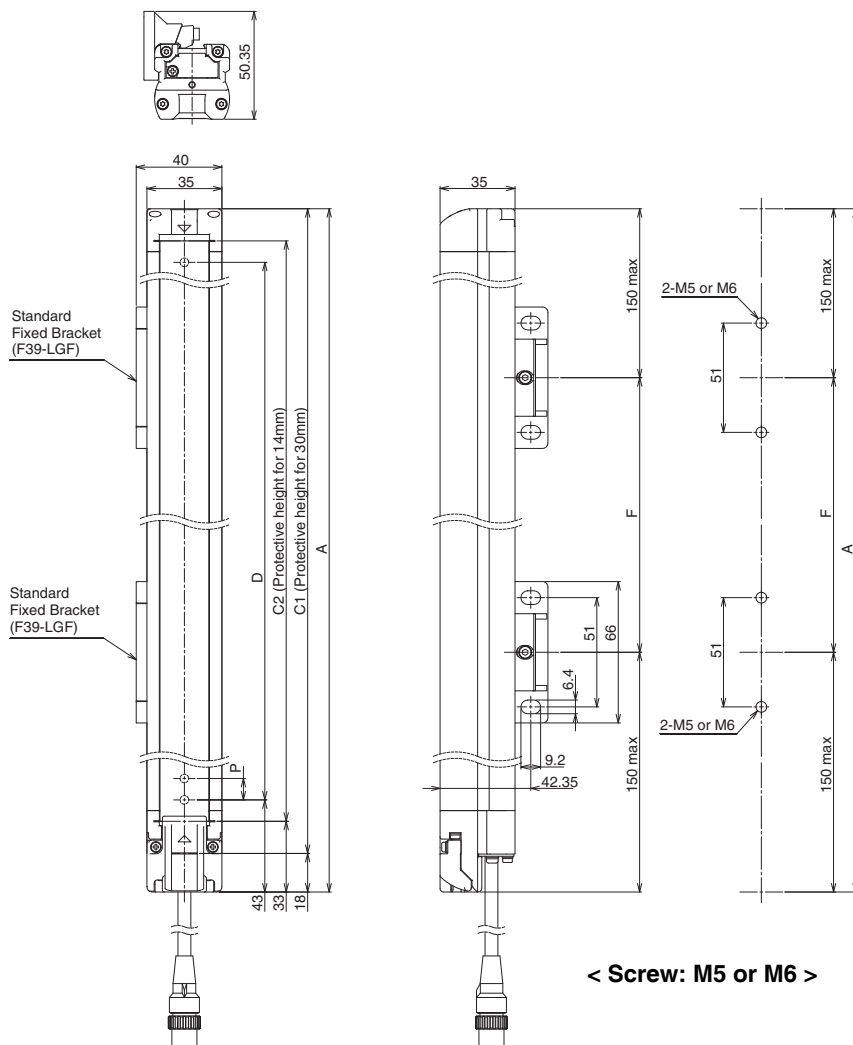
| Protective height (C1) | Number of Standard Fixed Brackets *1 | Dimension F |
|------------------------|--------------------------------------|--------------|
| 0190 to 1230 | 2 *2 | 1000 mm max. |
| 1310 to 2270 | 3 | 1000 mm max. |
| 2350 to 2510 | 4 | 1000 mm max. |

| Protective height (C2) | Number of Standard Fixed Brackets *1 | Dimension F |
|------------------------|--------------------------------------|--------------|
| 0160 to 1200 | 2 *2 | 1000 mm max. |
| 1280 to 2080 | 3 | 1000 mm max. |

*1. The number of brackets required to mount either one of emitter and receiver.

*2. Mounting an emitter or receiver with one bracket is possible for the models of protective height of 0160 to 0270. In this case, locate this bracket at half the Dimension A (or at the center of the sensor length).

Side Mounting



F3SG-□RA□□□□-30 Series

| | |
|--------------|---|
| Dimension A | C1+18 |
| Dimension C1 | 4-digit number of the type name (Protective height) |
| Dimension D | C1-50 |
| Dimension P | 20 |

F3SG-□RA□□□□-14 Series

| | |
|--------------|---|
| Dimension A | C2+48 |
| Dimension C2 | 4-digit number of the type name (Protective height) |
| Dimension D | C2-20 |
| Dimension P | 10 |

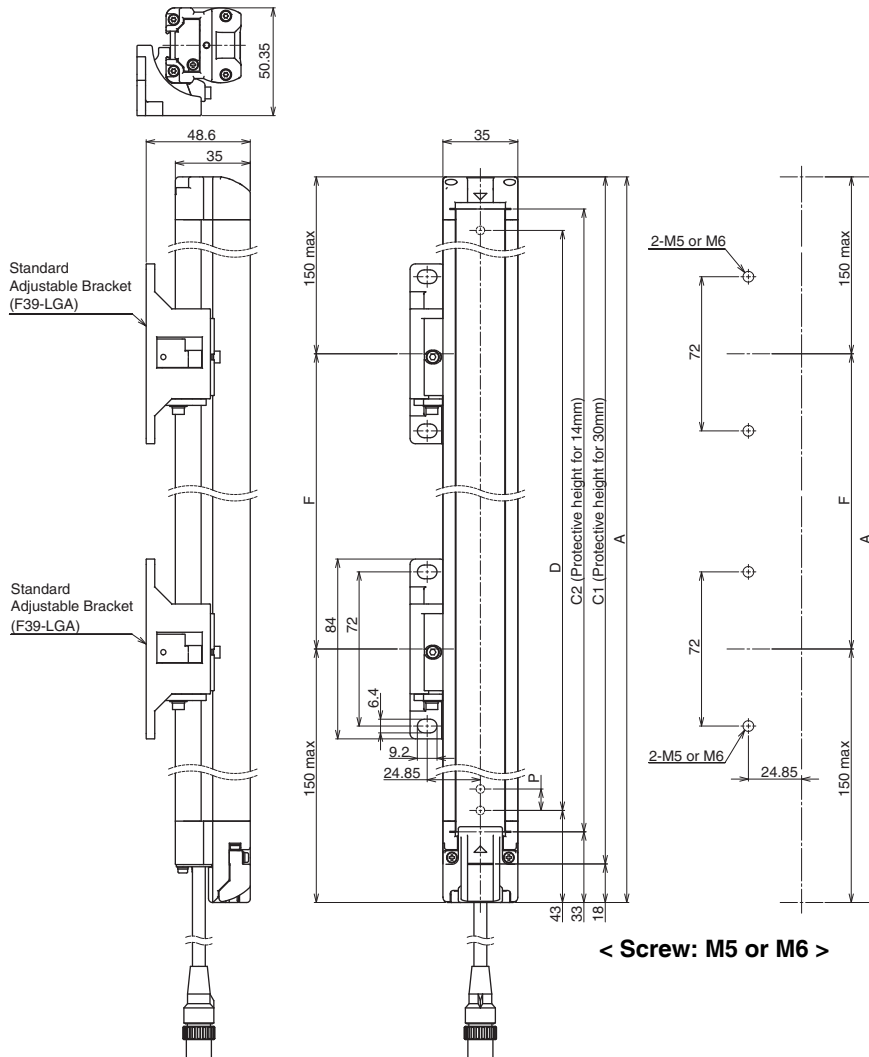
| Protective height (C1) | Number of Standard Fixed Brackets *1 | Dimension F |
|------------------------|--------------------------------------|--------------|
| 0190 to 1230 | 2 *2 | 1000 mm max. |
| 1310 to 2270 | 3 | 1000 mm max. |
| 2350 to 2510 | 4 | 1000 mm max. |

| Protective height (C2) | Number of Standard Fixed Brackets *1 | Dimension F |
|------------------------|--------------------------------------|--------------|
| 0160 to 1200 | 2 *2 | 1000 mm max. |
| 1280 to 2080 | 3 | 1000 mm max. |

*1. The number of brackets required to mount either one of emitter and receiver.

*2. Mounting an emitter or receiver with one bracket is possible for the models of protective height of 0160 to 0270. In this case, locate this bracket at half the Dimension A (or at the center of the sensor length).

Mounted with Standard Adjustable Brackets (F39-LGA) Backside Mounting



F3SG-□RA□□□□-30 Series

| | |
|--------------|--|
| Dimension A | C1+18 |
| Dimension C1 | 4-digit number of the type name (Protective height) |
| Dimension D | C1-50 |
| Dimension P | 20 |

F3SG-□RA□□□□-14 Series

| | |
|--------------|--|
| Dimension A | C2+48 |
| Dimension C2 | 4-digit number of the type name (Protective height) |
| Dimension D | C2-20 |
| Dimension P | 10 |

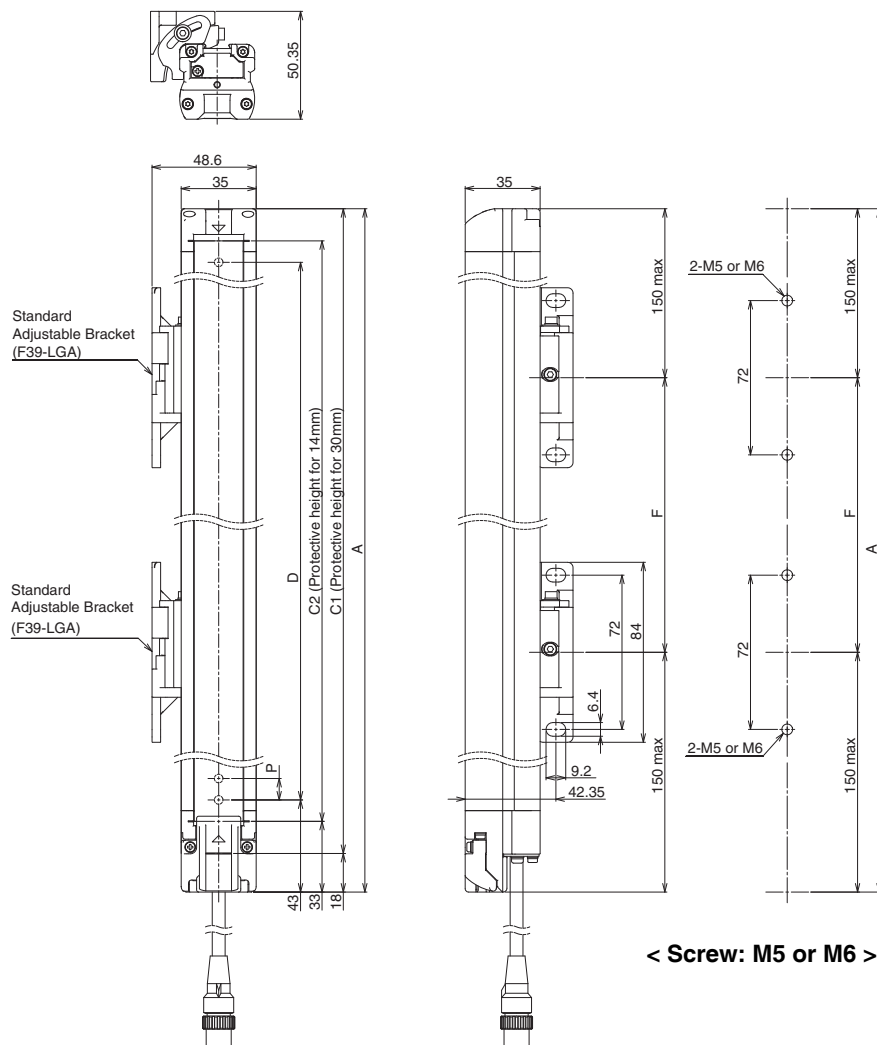
| Protective height (C1) | Number of Standard Adjustable Brackets *1 | Dimension F |
|------------------------|---|--------------|
| 0190 to 1230 | 2 *2 | 1000 mm max. |
| 1310 to 2270 | 3 | 1000 mm max. |
| 2350 to 2510 | 4 | 1000 mm max. |

| Protective height (C2) | Number of Standard Adjustable Brackets *1 | Dimension F |
|------------------------|---|--------------|
| 0160 to 1200 | 2 *2 | 1000 mm max. |
| 1280 to 2080 | 3 | 1000 mm max. |

*1. The number of brackets required to mount either one of emitter and receiver.

*2. Mounting an emitter or receiver with one bracket is possible for the models of protective height of 0160 to 0270. In this case, locate this bracket at half the Dimension A (or at the center of the sensor length).

Side Mounting



< Screw: M5 or M6 >

F3SG-□RA□□□□-30 Series

| | |
|--------------|---|
| Dimension A | C1+18 |
| Dimension C1 | 4-digit number of the type name (Protective height) |
| Dimension D | C1-50 |
| Dimension P | 20 |

F3SG-□RA□□□□-14 Series

| | |
|--------------|---|
| Dimension A | C2+48 |
| Dimension C2 | 4-digit number of the type name (Protective height) |
| Dimension D | C2-20 |
| Dimension P | 10 |

| Protective height (C1) | Number of Standard Adjustable Brackets *1 | Dimension F |
|------------------------|---|--------------|
| 0190 to 1230 | 2 *2 | 1000 mm max. |
| 1310 to 2270 | 3 | 1000 mm max. |
| 2350 to 2510 | 4 | 1000 mm max. |

| Protective height (C2) | Number of Standard Adjustable Brackets *1 | Dimension F |
|------------------------|---|--------------|
| 0160 to 1200 | 2 *2 | 1000 mm max. |
| 1280 to 2080 | 3 | 1000 mm max. |

*1. The number of brackets required to mount either one of emitter and receiver.

*2. Mounting an emitter or receiver with one bracket is possible for the models of protective height of 0160 to 0270. In this case, locate this bracket at half the Dimension A (or at the center of the sensor length).

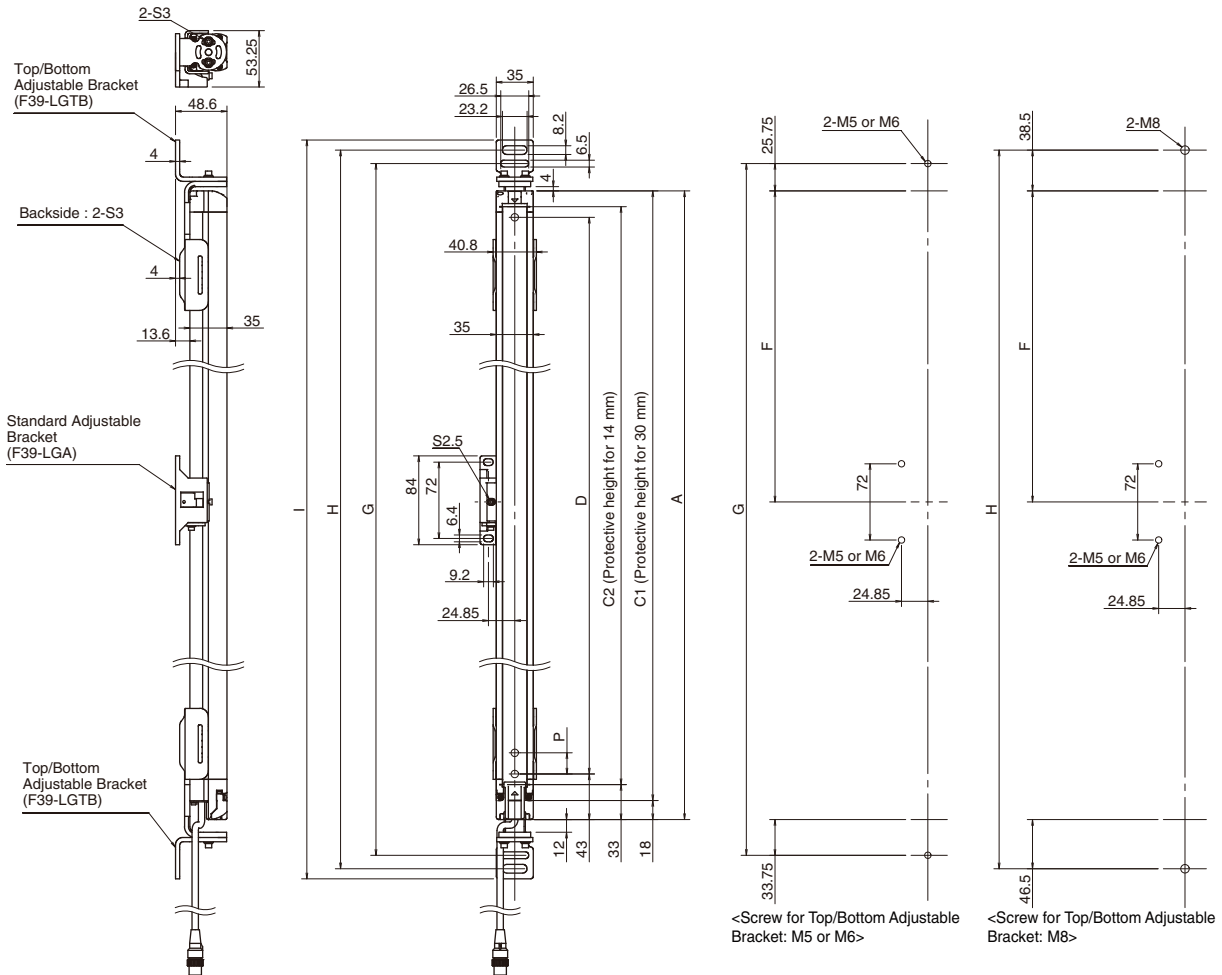
F3SG-RA

Mounted with Top/Bottom Adjustable Brackets (F39-LGTB) and Standard Adjustable Brackets (F39-LGA)

Dimensions when using the F3SG-RA Series except the F3SG-4RA0190-30 and F3SG-4RA0160-14

Refer to *Safety Light Curtain F3SG-R Series User's Manual* for the dimensions when using the F3SG-4RA0190-30 and F3SG-4RA0160-14.

Backside Mounting



F3SG-□RA□□□□-30 Series

| | |
|--------------|---|
| Dimension A | C1+18 |
| Dimension C1 | 4-digit number of the type name (Protective height) |
| Dimension D | C1-50 |
| Dimension G | C1+77.5 |
| Dimension H | C1+103 |
| Dimension I | C1+122 |
| Dimension P | 20 |

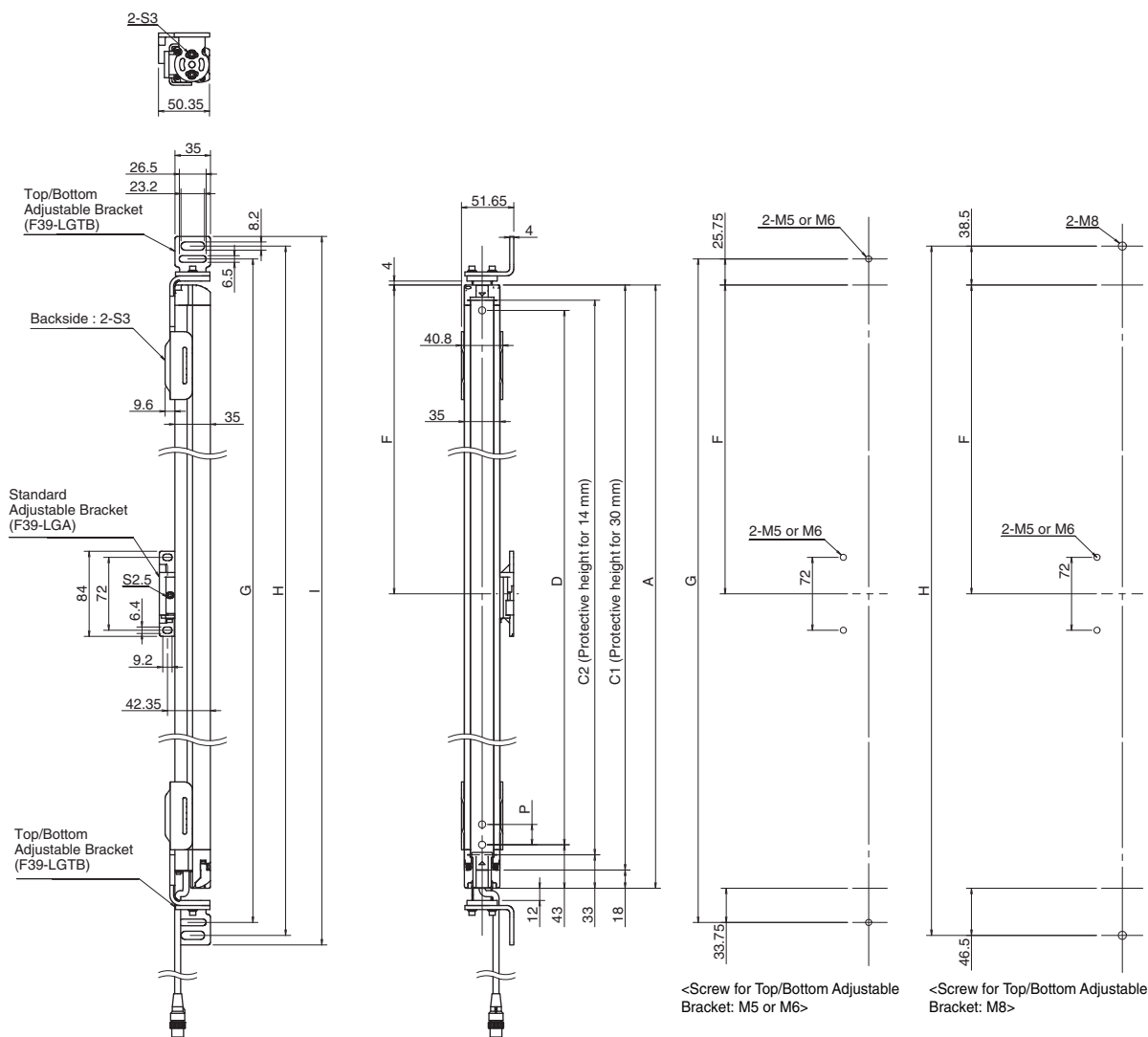
| Protective height (C1) | Number of Top/Bottom Adjustable Brackets | Number of Standard Adjustable Brackets | Dimension F |
|------------------------|--|--|--------------|
| 0270 to 1070 | 2 | 0 | - |
| 1150 to 1950 | 2 | 1 | 1000 mm max. |
| 2030 to 2510 | 2 | 2 | 1000 mm max. |

F3SG-□RA□□□□-14 Series

| | |
|--------------|---|
| Dimension A | C2+48 |
| Dimension C2 | 4-digit number of the type name (Protective height) |
| Dimension D | C2-20 |
| Dimension G | C2+107.5 |
| Dimension H | C2+133 |
| Dimension I | C2+152 |
| Dimension P | 10 |

| Protective height (C2) | Number of Top/Bottom Adjustable Brackets | Number of Standard Adjustable Brackets | Dimension F |
|------------------------|--|--|--------------|
| 0240 to 1040 | 2 | 0 | - |
| 1120 to 1920 | 2 | 1 | 1000 mm max. |
| 2000 to 2080 | 2 | 2 | 1000 mm max. |

Side Mounting



F3SG-□RA□□□□-30 Series

| | |
|--------------|---|
| Dimension A | C1+18 |
| Dimension C1 | 4-digit number of the type name (Protective height) |
| Dimension D | C1-50 |
| Dimension G | C1+77.5 |
| Dimension H | C1+103 |
| Dimension I | C1+122 |
| Dimension P | 20 |

F3SG-□RA□□□□-14 Series

| | |
|--------------|---|
| Dimension A | C2+48 |
| Dimension C2 | 4-digit number of the type name (Protective height) |
| Dimension D | C2-20 |
| Dimension G | C2+107.5 |
| Dimension H | C2+133 |
| Dimension I | C2+152 |
| Dimension P | 10 |

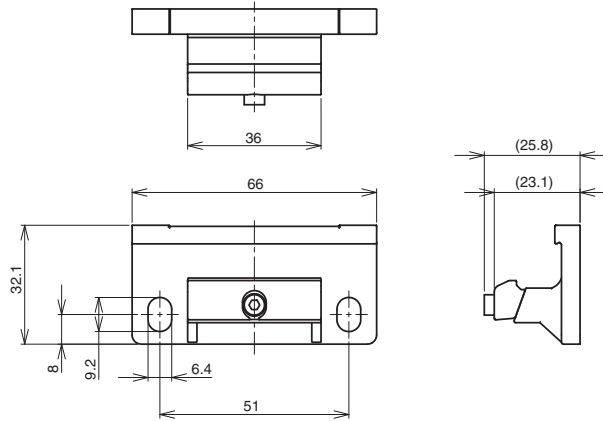
| Protective height (C1) | Number of Top/Bottom Adjustable Brackets | Number of Standard Adjustable Brackets | Dimension F |
|------------------------|--|--|--------------|
| 0270 to 1070 | 2 | 0 | - |
| 1150 to 1950 | 2 | 1 | 1000 mm max. |
| 2030 to 2510 | 2 | 2 | 1000 mm max. |

| Protective height (C2) | Number of Top/Bottom Adjustable Brackets | Number of Standard Adjustable Brackets | Dimension F |
|------------------------|--|--|--------------|
| 0240 to 1040 | 2 | 0 | - |
| 1120 to 1920 | 2 | 1 | 1000 mm max. |
| 2000 to 2080 | 2 | 2 | 1000 mm max. |

Accessories

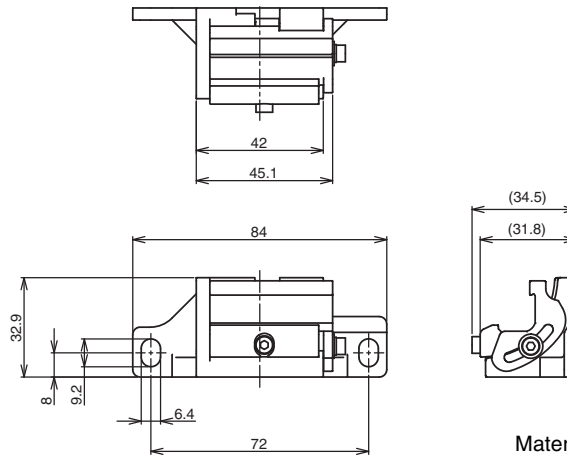
Sensor Mounting Brackets

Standard Fixed Bracket (F39-LGF)



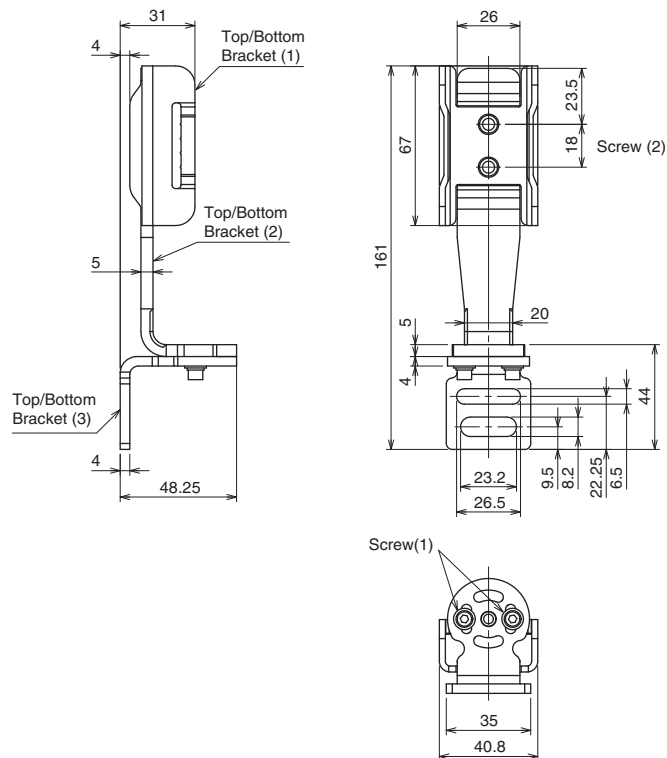
Material: Zinc alloy

Standard Adjustable Bracket (F39-LGA, sold separately)



Material: Zinc alloy ,Fluorochemical lubricant oil

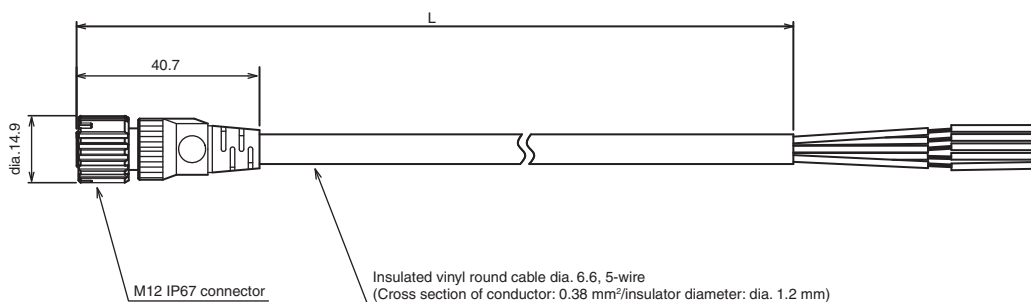
Top/Bottom Adjustable Bracket (F39-LGTB, sold separately)



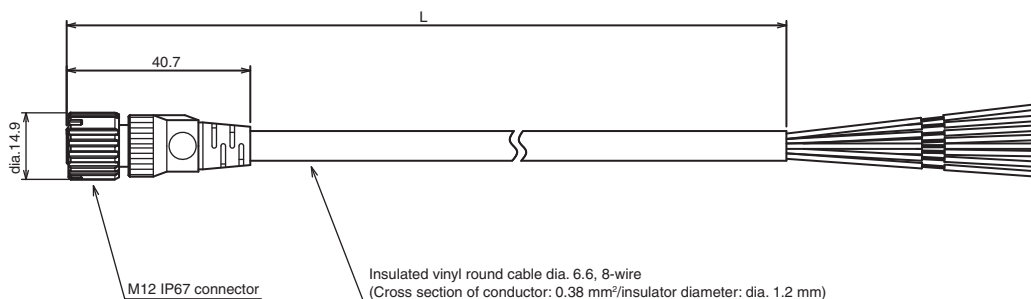
Material: Stainless steel

Safety light curtain connecting cable

Single-Ended Cable for Emitter (F39-JG□A-L, sold separately)

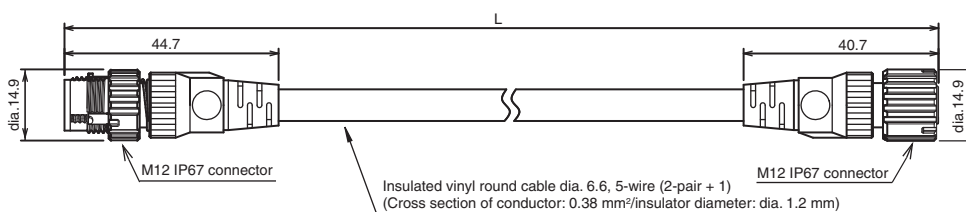


Single-Ended Cable for Receiver (F39-JG□A-D, sold separately)

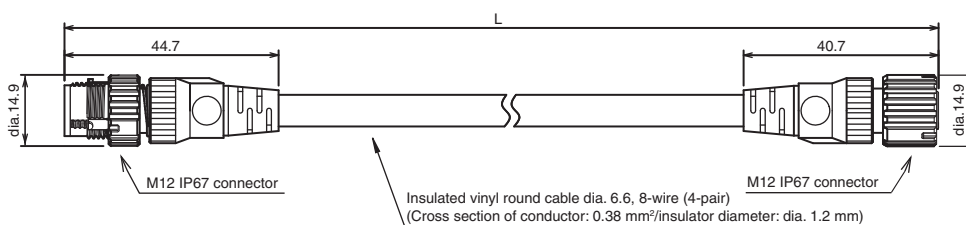


| Emitter cable (Gray) | Receiver cable (Black) | L (m) |
|----------------------|------------------------|-------|
| F39-JG3A-L | F39-JG3A-D | 3 |
| F39-JG7A-L | F39-JG7A-D | 7 |
| F39-JG10A-L | F39-JG10A-D | 10 |
| F39-JG15A-L | F39-JG15A-D | 15 |
| F39-JG20A-L | F39-JG20A-D | 20 |

Double-Ended Cable for Emitter: Cable for extension (F39-JG□B-L, sold separately)

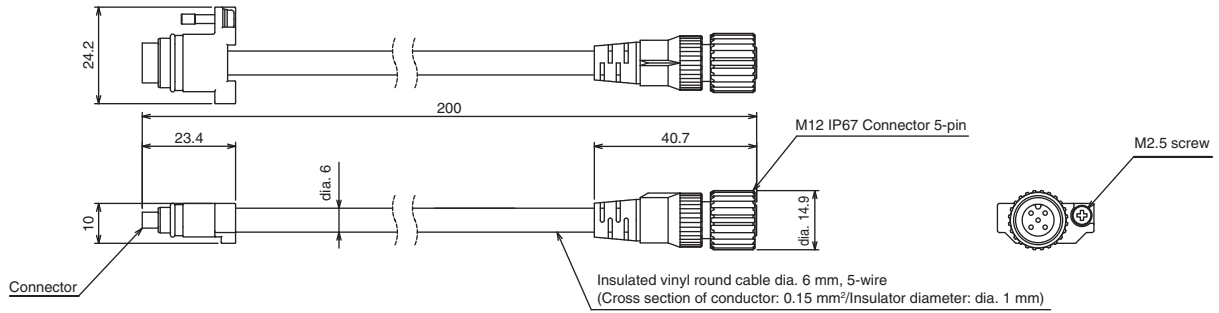


Double-Ended Cable for Receiver: Cable for extension (F39-JG□B-D, sold separately)

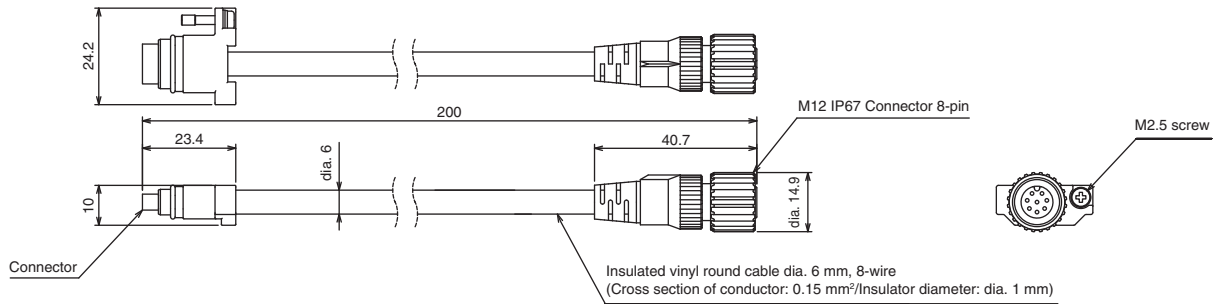


| Emitter cable (Gray) | Receiver cable (Black) | L (m) |
|----------------------|------------------------|-------|
| F39-JGR5B-L | F39-JGR15B-D | 0.5 |
| F39-JG1B-L | F39-JG1B-D | 1 |
| F39-JG3B-L | F39-JG3B-D | 3 |
| F39-JG5B-L | F39-JG5B-D | 5 |
| F39-JG7B-L | F39-JG7B-D | 7 |
| F39-JG10B-L | F39-JG10B-D | 10 |
| F39-JG15B-L | F39-JG15B-D | 15 |
| F39-JG20B-L | F39-JG20B-D | 20 |

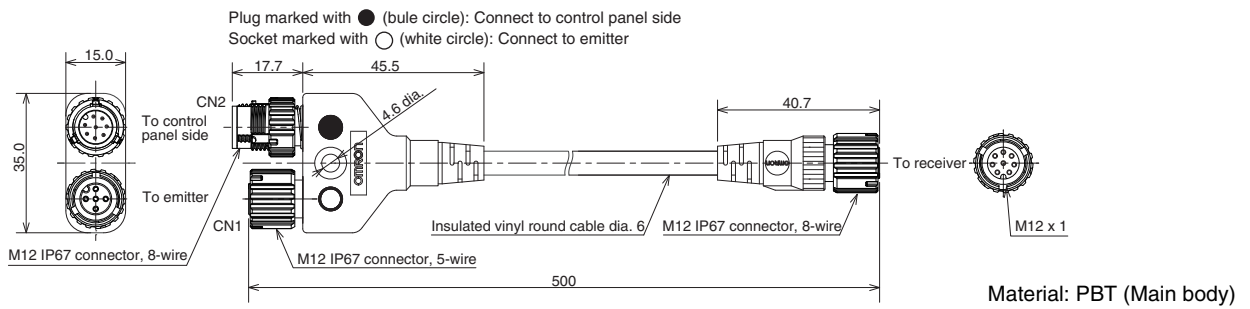
Cascading Cable for Emitter (F39-JGR2W-L, sold separately)



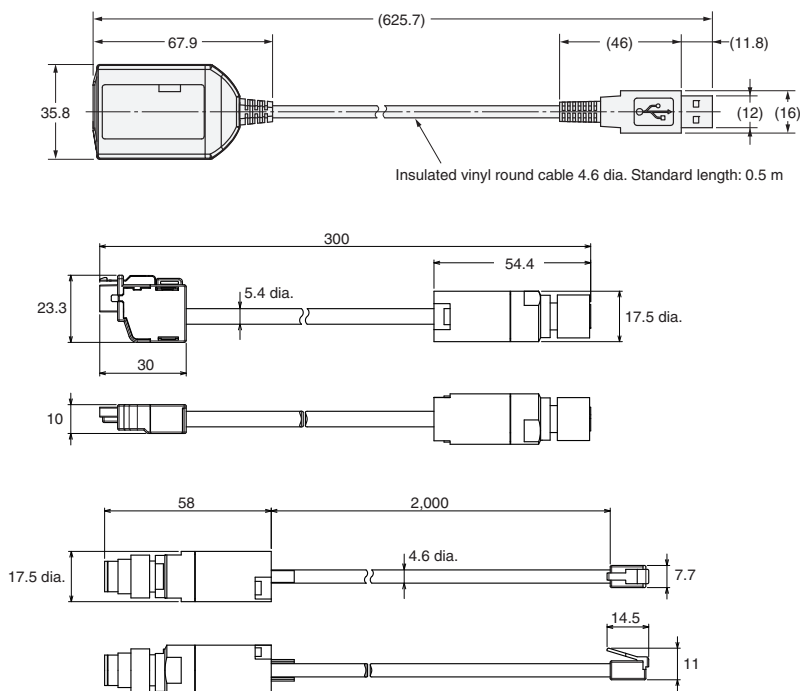
Cascading Cable for Receiver (F39-JGR2W-D, sold separately)



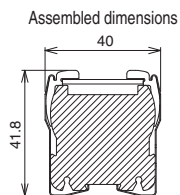
Y-Joint Plug/Socket Connector (F39-GCNY2, sold separately)



Interface Unit (F39-GIF, sold separately)



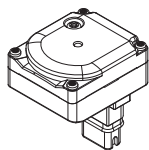
Spatter Protection Cover (F39-HGA, sold separately)



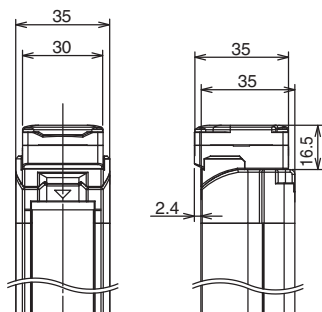
| Model | Total length |
|-------------|--------------|
| F39-HGA□□□□ | □□□□+4 |
| F39-HGA0550 | 558 |

Material: PC (Transparent cover)
 ABS (Side wall)
 Stainless steel (Bracket)
 Aluminum adhesive tape
 (Fixing sticker)

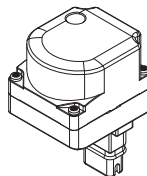
Bluetooth Communication Unit (F39-BT, sold separately)



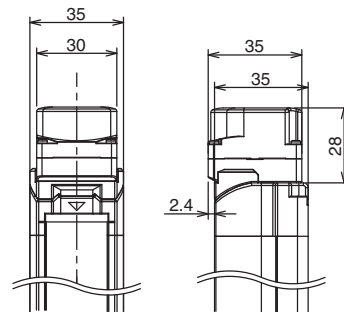
Material: PBT



**Lamp and Bluetooth Communication Unit (F39-BTLP, sold separately)
 Lamp (F39-LP, sold separately)**



Material:
 PC (Lighting element)
 PBT (Other body parts)



Related Manuals

| ManNo. | Model | Manual name |
|--------|----------------|---|
| Z352 | F3SG-R□□□□□□□□ | Safety Light Curtain F3SG-□R Series User's Manual |

Safety Light Curtain Robust type

F3SG-RR

Enhanced Cutting Oil Resistance

- Mechanical seal structure prevents cutting oil from getting inside
- Special materials and cables significantly enhanced cutting oil resistance
- Rugged and compact housing. Perfect fit installation
- IP67G (JIS C 0920 Annex 1) rated



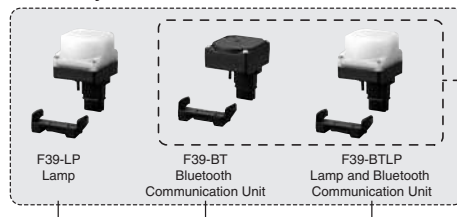
NEW

System Configuration

Mounting bracket

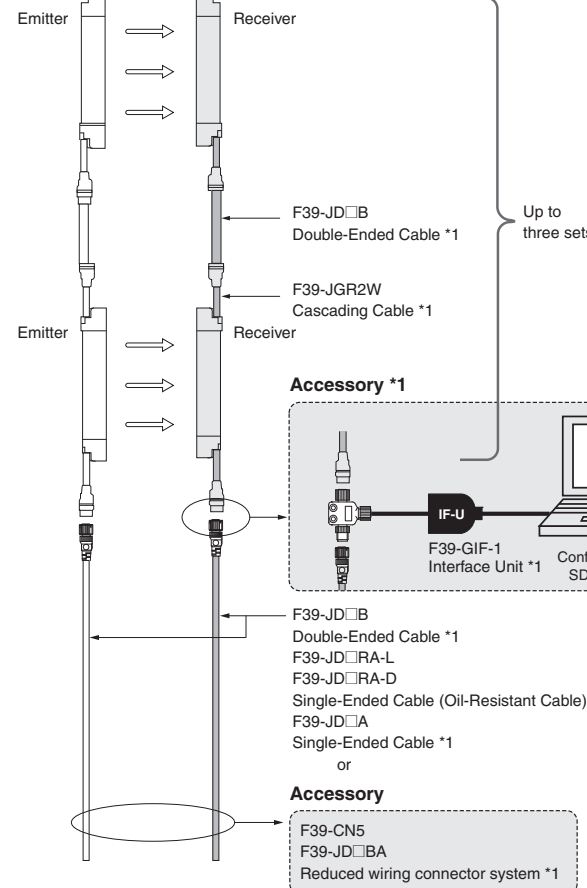


Accessory *1

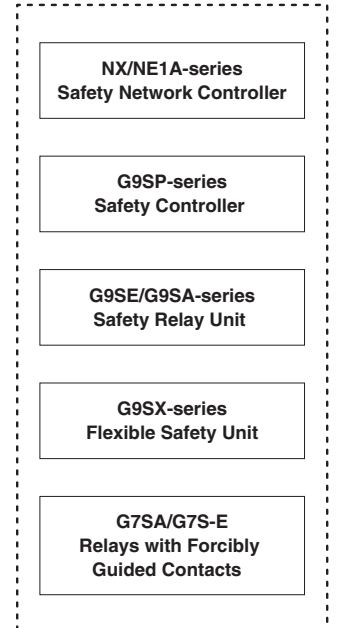


Bluetooth

Accessory



Recommended safety controller *2



*1. When the accessory is used, protect it from cutting oil.
 *2. The recommended safety controller is required to build a safety circuit using emergency stop switches and door switches.

Ordering Information

Main Units

Safety Light Curtain

Finger protection


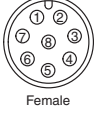
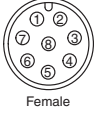
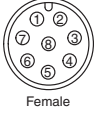
| Number of beams | Protective height (mm) | Model |
|-----------------|------------------------|-----------------|
| 23 | 240 | F3SG-4RR0240-14 |
| 31 | 320 | F3SG-4RR0320-14 |
| 39 | 400 | F3SG-4RR0400-14 |
| 47 | 480 | F3SG-4RR0480-14 |
| 55 | 560 | F3SG-4RR0560-14 |
| 63 | 640 | F3SG-4RR0640-14 |
| 71 | 720 | F3SG-4RR0720-14 |
| 79 | 800 | F3SG-4RR0800-14 |
| 87 | 880 | F3SG-4RR0880-14 |
| 95 | 960 | F3SG-4RR0960-14 |
| 103 | 1040 | F3SG-4RR1040-14 |
| 111 | 1120 | F3SG-4RR1120-14 |
| 119 | 1200 | F3SG-4RR1200-14 |
| 127 | 1280 | F3SG-4RR1280-14 |
| 135 | 1360 | F3SG-4RR1360-14 |
| 143 | 1440 | F3SG-4RR1440-14 |
| 151 | 1520 | F3SG-4RR1520-14 |
| 159 | 1600 | F3SG-4RR1600-14 |
| 167 | 1680 | F3SG-4RR1680-14 |
| 175 | 1760 | F3SG-4RR1760-14 |
| 183 | 1840 | F3SG-4RR1840-14 |
| 191 | 1920 | F3SG-4RR1920-14 |

Hand and arm protection

| Number of beams | Protective height (mm) | Model |
|-----------------|------------------------|-----------------|
| 12 | 240 | F3SG-4RR0240-25 |
| 16 | 320 | F3SG-4RR0320-25 |
| 20 | 400 | F3SG-4RR0400-25 |
| 24 | 480 | F3SG-4RR0480-25 |
| 28 | 560 | F3SG-4RR0560-25 |
| 32 | 640 | F3SG-4RR0640-25 |
| 36 | 720 | F3SG-4RR0720-25 |
| 40 | 800 | F3SG-4RR0800-25 |
| 44 | 880 | F3SG-4RR0880-25 |
| 48 | 960 | F3SG-4RR0960-25 |
| 52 | 1040 | F3SG-4RR1040-25 |
| 56 | 1120 | F3SG-4RR1120-25 |
| 60 | 1200 | F3SG-4RR1200-25 |
| 64 | 1280 | F3SG-4RR1280-25 |
| 68 | 1360 | F3SG-4RR1360-25 |
| 72 | 1440 | F3SG-4RR1440-25 |
| 76 | 1520 | F3SG-4RR1520-25 |
| 80 | 1600 | F3SG-4RR1600-25 |
| 84 | 1680 | F3SG-4RR1680-25 |
| 88 | 1760 | F3SG-4RR1760-25 |
| 92 | 1840 | F3SG-4RR1840-25 |
| 96 | 1920 | F3SG-4RR1920-25 |



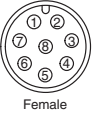

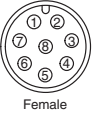
Accessories (Sold separately)

Safety light curtain connecting cable Single-Ended Cable (Oil-Resistant Cable)

| Appearance | Type | Cable length | Specifications | Model | | | | | | | | | | | | | | | | | | | | | | | | |
|---|--|--------------------|--|--------------------|-------|----------|---------|-------|---------|--------|-------|--------|-----|--------|----------|--------------------|------|--------------------|--------------------|------|--------------------|-------|------|-------|-----------|--------------------|-----------|--------------------|
|  | For emitter M12 connector (8-pin), 5 wires Color: Gray | 3 m | For emitter, M12 connector (8-pin), Color: Gray Connected to Power Cable or Double-Ended Cable  Female <table border="1"> <tr><td>1</td><td>-</td><td>Not used</td></tr> <tr><td>2</td><td>Brown</td><td>+24 VDC</td></tr> <tr><td>3</td><td>Black</td><td>TEST</td></tr> <tr><td>4</td><td>-</td><td>Not used</td></tr> <tr><td>5</td><td>Gray</td><td>Not used</td></tr> <tr><td>6</td><td>Pink</td><td>Not used</td></tr> <tr><td>7</td><td>Blue</td><td>0 VDC</td></tr> <tr><td>8</td><td>-</td><td>Not used</td></tr> </table> | 1 | - | Not used | 2 | Brown | +24 VDC | 3 | Black | TEST | 4 | - | Not used | 5 | Gray | Not used | 6 | Pink | Not used | 7 | Blue | 0 VDC | 8 | - | Not used | F39-JD3RA-L |
| | | 1 | - | Not used | | | | | | | | | | | | | | | | | | | | | | | | |
| | 2 | Brown | +24 VDC | | | | | | | | | | | | | | | | | | | | | | | | | |
| | 3 | Black | TEST | | | | | | | | | | | | | | | | | | | | | | | | | |
| 4 | - | Not used | | | | | | | | | | | | | | | | | | | | | | | | | | |
| 5 | Gray | Not used | | | | | | | | | | | | | | | | | | | | | | | | | | |
| 6 | Pink | Not used | | | | | | | | | | | | | | | | | | | | | | | | | | |
| 7 | Blue | 0 VDC | | | | | | | | | | | | | | | | | | | | | | | | | | |
| 8 | - | Not used | | | | | | | | | | | | | | | | | | | | | | | | | | |
| 7 m | For receiver, M12 connector (8-pin), Color: Black Connected to Power Cable or Double-Ended Cable  Female <table border="1"> <tr><td>1</td><td>White</td><td>OSSD 2</td></tr> <tr><td>2</td><td>Brown</td><td>+24 VDC</td></tr> <tr><td>3</td><td>Black</td><td>OSSD 1</td></tr> <tr><td>4</td><td>Yellow</td><td>AUX</td></tr> <tr><td>5</td><td>Gray</td><td>MUTE A /PC COM (+)</td></tr> <tr><td>6</td><td>Pink</td><td>MUTE B /PC COM (-)</td></tr> <tr><td>7</td><td>Blue</td><td>0 VDC</td></tr> <tr><td>8</td><td>Red</td><td>RESET/EDM</td></tr> </table> | 1 | White | OSSD 2 | 2 | Brown | +24 VDC | 3 | Black | OSSD 1 | 4 | Yellow | AUX | 5 | Gray | MUTE A /PC COM (+) | 6 | Pink | MUTE B /PC COM (-) | 7 | Blue | 0 VDC | 8 | Red | RESET/EDM | F39-JD7RA-L | | |
| 1 | White | OSSD 2 | | | | | | | | | | | | | | | | | | | | | | | | | | |
| 2 | Brown | +24 VDC | | | | | | | | | | | | | | | | | | | | | | | | | | |
| 3 | Black | OSSD 1 | | | | | | | | | | | | | | | | | | | | | | | | | | |
| 4 | Yellow | AUX | | | | | | | | | | | | | | | | | | | | | | | | | | |
| 5 | Gray | MUTE A /PC COM (+) | | | | | | | | | | | | | | | | | | | | | | | | | | |
| 6 | Pink | MUTE B /PC COM (-) | | | | | | | | | | | | | | | | | | | | | | | | | | |
| 7 | Blue | 0 VDC | | | | | | | | | | | | | | | | | | | | | | | | | | |
| 8 | Red | RESET/EDM | | | | | | | | | | | | | | | | | | | | | | | | | | |
| | For receiver M12 connector (8-pin), 8 wires Color: Black | 3 m | For receiver, M12 connector (8-pin), Color: Black Connected to Power Cable or Double-Ended Cable  Female <table border="1"> <tr><td>1</td><td>White</td><td>OSSD 2</td></tr> <tr><td>2</td><td>Brown</td><td>+24 VDC</td></tr> <tr><td>3</td><td>Black</td><td>OSSD 1</td></tr> <tr><td>4</td><td>Yellow</td><td>AUX</td></tr> <tr><td>5</td><td>Gray</td><td>MUTE A /PC COM (+)</td></tr> <tr><td>6</td><td>Pink</td><td>MUTE B /PC COM (-)</td></tr> <tr><td>7</td><td>Blue</td><td>0 VDC</td></tr> <tr><td>8</td><td>Red</td><td>RESET/EDM</td></tr> </table> | 1 | White | OSSD 2 | 2 | Brown | +24 VDC | 3 | Black | OSSD 1 | 4 | Yellow | AUX | 5 | Gray | MUTE A /PC COM (+) | 6 | Pink | MUTE B /PC COM (-) | 7 | Blue | 0 VDC | 8 | Red | RESET/EDM | F39-JD3RA-D |
| | | 1 | White | OSSD 2 | | | | | | | | | | | | | | | | | | | | | | | | |
| 2 | Brown | +24 VDC | | | | | | | | | | | | | | | | | | | | | | | | | | |
| 3 | Black | OSSD 1 | | | | | | | | | | | | | | | | | | | | | | | | | | |
| 4 | Yellow | AUX | | | | | | | | | | | | | | | | | | | | | | | | | | |
| 5 | Gray | MUTE A /PC COM (+) | | | | | | | | | | | | | | | | | | | | | | | | | | |
| 6 | Pink | MUTE B /PC COM (-) | | | | | | | | | | | | | | | | | | | | | | | | | | |
| 7 | Blue | 0 VDC | | | | | | | | | | | | | | | | | | | | | | | | | | |
| 8 | Red | RESET/EDM | | | | | | | | | | | | | | | | | | | | | | | | | | |
| | | 7 m | IP67 and IP67G (JIS C 0920 Annex 1)* rated when mated. * F3SG-RR meets the degree of protection when this cable is correctly connected with the power cable of the F3SG-RR. The degree of protection is not satisfied with the part where cable wires are uncovered. | F39-JD7RA-D | | | | | | | | | | | | | | | | | | | | | | | | |

Note: To extend the cable length to more than 7 m, add the F39-JD□B Double-Ended Cable.
When the Double-Ended Cable is used, protect it from cutting oil.

Single-Ended Cable (2 cables per set, one for emitter and one for receiver) *


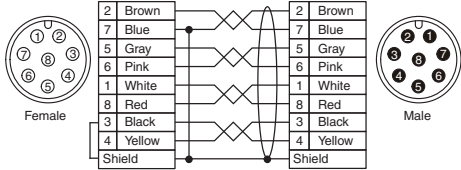
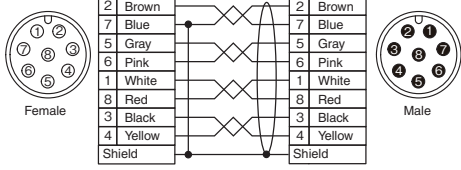
| Appearance | Cable length | Specifications | Model | | | | | | | | | | | | | | | | | | | | | | | | | | | |
|---|--|--|----------|----------|----------|-------|---------|---------|-------|--------|------|--------|----------|----------|------|--------------------|----------|------|--------------------|----------|------|-------|-------|-----|-----------|----------|--------|--------|------------------|-----------------|
|  | 3 m | For emitter M12 connector (8-pin), Color: Gray Connected to Power Cable or Double-Ended Cable  Female <table border="1"> <tr><td>1</td><td>White</td><td>Not used</td></tr> <tr><td>2</td><td>Brown</td><td>+24 VDC</td></tr> <tr><td>3</td><td>Black</td><td>TEST</td></tr> <tr><td>4</td><td>Yellow</td><td>Not used</td></tr> <tr><td>5</td><td>Gray</td><td>Not used</td></tr> <tr><td>6</td><td>Pink</td><td>Not used</td></tr> <tr><td>7</td><td>Blue</td><td>0 VDC</td></tr> <tr><td>8</td><td>Red</td><td>Not used</td></tr> <tr><td></td><td>Shield</td><td></td></tr> </table> | 1 | White | Not used | 2 | Brown | +24 VDC | 3 | Black | TEST | 4 | Yellow | Not used | 5 | Gray | Not used | 6 | Pink | Not used | 7 | Blue | 0 VDC | 8 | Red | Not used | | Shield | | F39-JD3A |
| | 1 | White | Not used | | | | | | | | | | | | | | | | | | | | | | | | | | | |
| | 2 | Brown | +24 VDC | | | | | | | | | | | | | | | | | | | | | | | | | | | |
| | 3 | Black | TEST | | | | | | | | | | | | | | | | | | | | | | | | | | | |
| | 4 | Yellow | Not used | | | | | | | | | | | | | | | | | | | | | | | | | | | |
| 5 | Gray | Not used | | | | | | | | | | | | | | | | | | | | | | | | | | | | |
| 6 | Pink | Not used | | | | | | | | | | | | | | | | | | | | | | | | | | | | |
| 7 | Blue | 0 VDC | | | | | | | | | | | | | | | | | | | | | | | | | | | | |
| 8 | Red | Not used | | | | | | | | | | | | | | | | | | | | | | | | | | | | |
| | Shield | | | | | | | | | | | | | | | | | | | | | | | | | | | | | |
| 7 m | For receiver M12 connector (8-pin), Color: Black Connected to Power Cable or Double-Ended Cable  Female <table border="1"> <tr><td>1</td><td>White</td><td>OSSD 2</td></tr> <tr><td>2</td><td>Brown</td><td>+24 VDC</td></tr> <tr><td>3</td><td>Black</td><td>OSSD 1</td></tr> <tr><td>4</td><td>Yellow</td><td>AUX</td></tr> <tr><td>5</td><td>Gray</td><td>MUTE A /PC COM (+)</td></tr> <tr><td>6</td><td>Pink</td><td>MUTE B /PC COM (-)</td></tr> <tr><td>7</td><td>Blue</td><td>0 VDC</td></tr> <tr><td>8</td><td>Red</td><td>RESET/EDM</td></tr> <tr><td></td><td>Shield</td><td></td></tr> </table> | 1 | White | OSSD 2 | 2 | Brown | +24 VDC | 3 | Black | OSSD 1 | 4 | Yellow | AUX | 5 | Gray | MUTE A /PC COM (+) | 6 | Pink | MUTE B /PC COM (-) | 7 | Blue | 0 VDC | 8 | Red | RESET/EDM | | Shield | | F39-JD7A | |
| 1 | White | OSSD 2 | | | | | | | | | | | | | | | | | | | | | | | | | | | | |
| 2 | Brown | +24 VDC | | | | | | | | | | | | | | | | | | | | | | | | | | | | |
| 3 | Black | OSSD 1 | | | | | | | | | | | | | | | | | | | | | | | | | | | | |
| 4 | Yellow | AUX | | | | | | | | | | | | | | | | | | | | | | | | | | | | |
| 5 | Gray | MUTE A /PC COM (+) | | | | | | | | | | | | | | | | | | | | | | | | | | | | |
| 6 | Pink | MUTE B /PC COM (-) | | | | | | | | | | | | | | | | | | | | | | | | | | | | |
| 7 | Blue | 0 VDC | | | | | | | | | | | | | | | | | | | | | | | | | | | | |
| 8 | Red | RESET/EDM | | | | | | | | | | | | | | | | | | | | | | | | | | | | |
| | Shield | | | | | | | | | | | | | | | | | | | | | | | | | | | | | |
| 10 m | For emitter M12 connector (8-pin), Color: Gray Connected to Power Cable or Double-Ended Cable  Female <table border="1"> <tr><td>1</td><td>White</td><td>Not used</td></tr> <tr><td>2</td><td>Brown</td><td>+24 VDC</td></tr> <tr><td>3</td><td>Black</td><td>TEST</td></tr> <tr><td>4</td><td>Yellow</td><td>Not used</td></tr> <tr><td>5</td><td>Gray</td><td>Not used</td></tr> <tr><td>6</td><td>Pink</td><td>Not used</td></tr> <tr><td>7</td><td>Blue</td><td>0 VDC</td></tr> <tr><td>8</td><td>Red</td><td>Not used</td></tr> <tr><td></td><td>Shield</td><td></td></tr> </table> | 1 | White | Not used | 2 | Brown | +24 VDC | 3 | Black | TEST | 4 | Yellow | Not used | 5 | Gray | Not used | 6 | Pink | Not used | 7 | Blue | 0 VDC | 8 | Red | Not used | | Shield | | F39-JD10A | |
| 1 | White | Not used | | | | | | | | | | | | | | | | | | | | | | | | | | | | |
| 2 | Brown | +24 VDC | | | | | | | | | | | | | | | | | | | | | | | | | | | | |
| 3 | Black | TEST | | | | | | | | | | | | | | | | | | | | | | | | | | | | |
| 4 | Yellow | Not used | | | | | | | | | | | | | | | | | | | | | | | | | | | | |
| 5 | Gray | Not used | | | | | | | | | | | | | | | | | | | | | | | | | | | | |
| 6 | Pink | Not used | | | | | | | | | | | | | | | | | | | | | | | | | | | | |
| 7 | Blue | 0 VDC | | | | | | | | | | | | | | | | | | | | | | | | | | | | |
| 8 | Red | Not used | | | | | | | | | | | | | | | | | | | | | | | | | | | | |
| | Shield | | | | | | | | | | | | | | | | | | | | | | | | | | | | | |
| 15 m | For receiver M12 connector (8-pin), Color: Black Connected to Power Cable or Double-Ended Cable  Female <table border="1"> <tr><td>1</td><td>White</td><td>OSSD 2</td></tr> <tr><td>2</td><td>Brown</td><td>+24 VDC</td></tr> <tr><td>3</td><td>Black</td><td>OSSD 1</td></tr> <tr><td>4</td><td>Yellow</td><td>AUX</td></tr> <tr><td>5</td><td>Gray</td><td>MUTE A /PC COM (+)</td></tr> <tr><td>6</td><td>Pink</td><td>MUTE B /PC COM (-)</td></tr> <tr><td>7</td><td>Blue</td><td>0 VDC</td></tr> <tr><td>8</td><td>Red</td><td>RESET/EDM</td></tr> <tr><td></td><td>Shield</td><td></td></tr> </table> | 1 | White | OSSD 2 | 2 | Brown | +24 VDC | 3 | Black | OSSD 1 | 4 | Yellow | AUX | 5 | Gray | MUTE A /PC COM (+) | 6 | Pink | MUTE B /PC COM (-) | 7 | Blue | 0 VDC | 8 | Red | RESET/EDM | | Shield | | F39-JD15A | |
| 1 | White | OSSD 2 | | | | | | | | | | | | | | | | | | | | | | | | | | | | |
| 2 | Brown | +24 VDC | | | | | | | | | | | | | | | | | | | | | | | | | | | | |
| 3 | Black | OSSD 1 | | | | | | | | | | | | | | | | | | | | | | | | | | | | |
| 4 | Yellow | AUX | | | | | | | | | | | | | | | | | | | | | | | | | | | | |
| 5 | Gray | MUTE A /PC COM (+) | | | | | | | | | | | | | | | | | | | | | | | | | | | | |
| 6 | Pink | MUTE B /PC COM (-) | | | | | | | | | | | | | | | | | | | | | | | | | | | | |
| 7 | Blue | 0 VDC | | | | | | | | | | | | | | | | | | | | | | | | | | | | |
| 8 | Red | RESET/EDM | | | | | | | | | | | | | | | | | | | | | | | | | | | | |
| | Shield | | | | | | | | | | | | | | | | | | | | | | | | | | | | | |
| 20 m | IP67* rated when mated. * When the accessory is used, protect it from cutting oil. | F39-JD20A | | | | | | | | | | | | | | | | | | | | | | | | | | | | |

* The cable for emitter and the cable for receiver are available separately. Add '-L' for emitter or '-D' for receiver to the end of the model number when you order.

Single-Ended Cable for Emitter: F39-JD□A-L, Single-Ended Cable for Receiver: F39-JD□A-D

Note: 1. Use the F39-JD□RA-L/-D for applications where cutting oil resistance is required.
2. To extend the cable length to more than 20 m, add the F39-JD□B Double-Ended Cable.

Double-Ended Cable (2 cables per set, one for emitter and one for receiver) *

| Appearance | Cable length | Specifications | Model |
|---|--------------|---|-----------|
|  | 0.5 m | For emitter M12 connector (8-pin), Color: Gray Connected to Power Cable or Double-Ended Cable Connected to Single-Ended Cable, or Double-Ended Cable | F39-JDR5B |
| | 1 m |  | F39-JD1B |
| | 3 m | | F39-JD3B |
| | 5 m | | F39-JD5B |
| | 7 m | For receiver, M12 connector(8-pin) Color: Black Connected to Power Cable or Double-Ended Cable Connected to Single-Ended Cable, or Double-Ended Cable | F39-JD7B |
| | 10 m |  | F39-JD10B |
| | 15 m | | F39-JD15B |
| | 20 m | IP67* rated when mated. * When the accessory is used, protect it from cutting oil. | F39-JD20B |

* The cable for emitter and the cable for receiver are available separately. Add '-L' for emitter or '-D' for receiver to the end of the model number when you order.

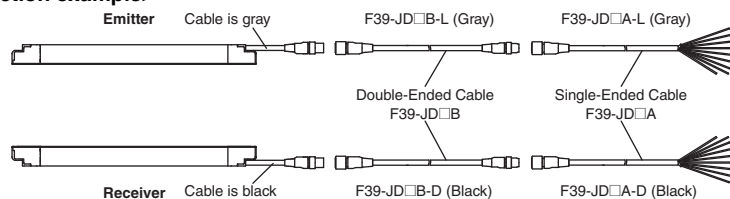
Double-Ended Cable for Emitter: F39-JD□B-L, Double-Ended Cable for Receiver: F39-JD□B-D

Note: To extend the cable length to more than 20 m, add the F39-JD□B Double-Ended Cable to the F39-JD□A Single-Ended Cable.


To extend the cable length to more than 40 m, add several Double-Ended Cables to the Single-Ended Cable.

Example: To extend the cable length to 50 m, connect two F39-JD20B (20 m) cables and one F39-JD10A (10 m) cable.

<Connection example>



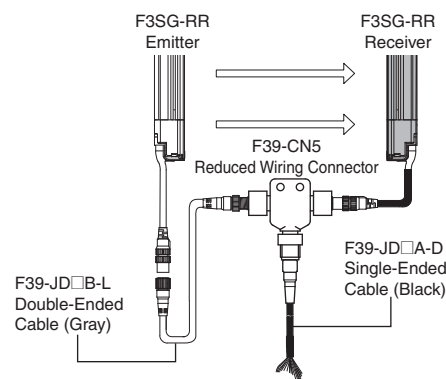
Reduced Wiring Connector System (Order the F39-CN5 and Cables for Reduce Wiring.)
Reduced Wiring Connector

| Appearance | Specifications | Model |
|---|---|---------|
|  | IP67* rated when mated. * When the accessory is used, protect it from cutting oil. | F39-CN5 |


Note: When using the Reduced Wiring Connector (F39-CN5), the following functions are not available.

- Manual Reset
- External Device Monitoring
- Auxiliary Output

Make sure to keep the settings in the factory default.



Cable for Reduce Wiring* (2 cables per set, one for emitter and one for receiver)

| Appearance | Cable length | Specifications | Remarks | Model |
|---|---------------------------------|---|--|--------------|
|  | Emitter: 3 m Receiver: 3 m | IP67* rated when mated. * When the accessory is used, protect it from cutting oil. | Double-Ended Cable: F39-JD3B-L Single-Ended Cable: F39-JD3A-D | F39-JD0303BA |
| | Emitter: 3 m Receiver: 7 m | | Double-Ended Cable: F39-JD3B-L Single-Ended Cable: F39-JD7A-D | F39-JD0307BA |
| | Emitter: 3 m Receiver: 10 m | | Double-Ended Cable: F39-JD3B-L Single-Ended Cable: F39-JD10A-D | F39-JD0310BA |
| | Emitter: 5 m Receiver: 3 m | | Double-Ended Cable: F39-JD5B-L Single-Ended Cable: F39-JD3A-D | F39-JD0503BA |
| | Emitter: 5 m Receiver: 7 m | | Double-Ended Cable: F39-JD5B-L Single-Ended Cable: F39-JD7A-D | F39-JD0507BA |
| | Emitter: 5 m Receiver: 10 m | | Double-Ended Cable: F39-JD5B-L Single-Ended Cable: F39-JD10A-D | F39-JD0510BA |
| | Emitter: 10 m Receiver: 3 m | | Double-Ended Cable: F39-JD10B-L Single-Ended Cable: F39-JD3A-D | F39-JD1003BA |
| | Emitter: 10 m Receiver: 7 m | | Double-Ended Cable: F39-JD10B-L Single-Ended Cable: F39-JD7A-D | F39-JD1007BA |
| | Emitter: 10 m Receiver: 10 m | | Double-Ended Cable: F39-JD10B-L Single-Ended Cable: F39-JD10A-D | F39-JD1010BA |


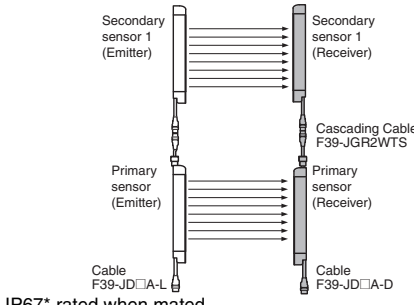
Note: A combination of emitter and receiver cables of other lengths than the above is also available. For details, contact your Omron representative.

* Double-Ended Cable for emitter and Single-Ended Cable for receiver.

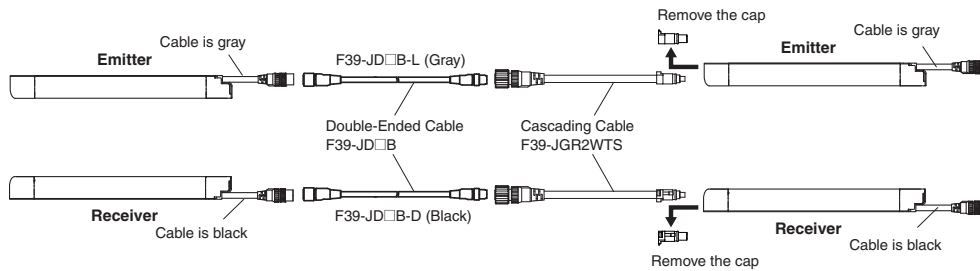
F3SG-RR

F3SG-RR





Cascading Cable (2 cables per set, one for emitter and one for receiver)

| Appearance | Type | Cable length | Specifications | Model |
|--|------------------------------------|--------------|--|--------------------|
|  | Cap (8-pin), M12 connector (8-pin) | 0.2 m |  <p>IP67* rated when mated. * When the accessory is used, protect it from cutting oil.</p> | F39-JGR2WTS |

Note: The Double-Ended Cable (up to 10 m: F39-JD10B) can be added to extend the cable length between the series-connected sensors.
Cable length between sensors: 10 m max. (not including cascading cable (F39-JGR2WTS) and power cable)



Sensor Mounting Brackets




| Appearance | Specifications | Application | Model |
|---|--|---|--------------------|
|  | Free-Location Bracket (Intermediate Bracket) | Beam alignment after mounting possible. The angle adjustment range is $\pm 15^\circ$. Side mounting and backside mounting possible. (Sold separately as a set of 2 brackets. Refer to note *1 for the number of sets required for each model.) | F39-LGRA |
|  | Top/Bottom Bracket *2 | Use this bracket at the top and bottom positions of the F3SG-RR. Beam alignment after mounting possible. The angle adjustment range is $\pm 22.5^\circ$. Side mounting and backside mounting possible. (Sold separately as a set of 4 brackets.) | F39-LGRTB |
|  | Top/Bottom Bracket *2 | The part of this bracket to contact with a wall surface has a different shape from the F39-LGRTB Top/Bottom Bracket. Use this bracket when replacing an existing safety light curtain with the F3SG-RR. (Sold separately as a set of 4 brackets.) | F39-LGRTB-2 |
|  | Top/Bottom Bracket *2 | Select a bracket that fit into the existing mounting hole. | F39-LGRTB-3 |

*1. Protective height of 0240 to 1200 mm: 2 sets, Protective height of 1280 to 1920 mm: 3 sets

*2. Use the Top/Bottom Bracket in combination with the Intermediate Bracket.


Protective height of 1040 or less: The Intermediate Bracket is not required. Please purchase 1 set of Top/Bottom Brackets (F39-LGRTB(-2/-3)).
Protective height of 1120 to 1920: Please purchase 1 set of Top/Bottom Brackets (F39-LGRTB(-2/-3)) and 1 set of Intermediate Brackets (F39-LGRA).

Interface units and configuration tool SD Manager 2 *

| Appearance | Type | Specifications | Model |
|---|------------------------------|---|-----------|
|  | SD Manager 2 | The Configuration Tool SD Manager 2 is available to download from our website at http://www.ia.omron.com/f3sg-r_tool | — |
|  | Interface Unit | F39-GIF-1 interface unit to connect the F3SG-RR receiver to a USB port of the PC Accessories: F39-CN1 Branch Connector (1), Connector Cap (1), 2-m Dedicated Cable (1), Instruction Manual | F39-GIF-1 |
|  | Bluetooth Communication Unit | F39-BT bluetooth unit to enable bluetooth on the F3SG-RR IP67 rated when mated. | F39-BT |


* When the accessory is used, protect it from cutting oil.

Lamp *

| Appearance | Type | Specifications | Model |
|--|---------------------------------------|--|----------|
|  | Lamp | The lamp unit can be connected to a receiver and turned ON based on the operation of F3SG-RA/RR. The lamp can indicate red, orange, and green colors, to which three different states can be assigned. | F39-LP |
| | Lamp and Bluetooth Communication Unit | IP67 rated when mated. | F39-BTLP |

* When the accessory is used, protect it from cutting oil.


End Cap *1 *2

| Appearance | Specifications | Model |
|---|---|---------|
|  | Housing color: Black For both emitter and receiver (Attached to the F3SG-RR. The End Cap can be purchased if lost.) IP67 rated when mated. | F39-CNM |

*1. This accessory can also be used with the F3SG-RA.

*2. When the accessory is used, protect it from cutting oil.

Laser Pointer for F3SG-R *

| Appearance | Specifications | Model |
|---|--|---------|
|  | The laser pointer is attached on the optical surface of the F3SG-R to help coarse adjustment of beams. | F39-PTG |

* When the accessory is used, protect it from cutting oil.

Test Rod

| Diameter | Model |
|------------|-----------|
| 14 mm dia. | F39-TRD14 |
| 25 mm dia. | F39-TRD25 |

Ratings and Specifications

Main unit

The □□□□ in the model names indicate the protective heights in millimeters.

| | | F3SG-4RR□□□□-14 | F3SG-4RR□□□□-25 | |
|------------------------------------|---|---|---|--|
| Performance | Object Resolution (Detection Capability) | Opaque objects 14-mm dia. | 25-mm dia. | |
| | Beam Gap | 10 mm | 20 mm | |
| | Number of Beams | 23 to 191 | 12 to 96 | |
| | Lens Size | 5.2 × 3.4 (W × H) mm | 6.0 × 5.0 (W × H) mm | |
| | Protective Height | 240 to 1920 mm | | |
| | Operating Range | 0.3 to 10.0 m | 0.3 to 17.0 m | |
| | Response Time | ON to OFF | Normal mode: 8 to 18 ms *1 Slow mode: 16 to 36 ms *1 *2 | |
| | | OFF to ON | Normal mode: 40 to 90ms (synchronized), 140 to 190ms (not synchronized) *1 | |
| | | | *1. Response time when used in one segment system or in cascaded connection. Refer to page 52. *2. Selectable by Configuration Tool. | |
| | Effective Aperture Angle (EAA) (IEC 61496-2) | ±2.5° max., emitter and receiver at operating range of 3 m or greater | | |
| Light Source | Infrared LEDs, Wavelength: 870 nm | | | |
| Startup Waiting Time | 2 s max. | | | |
| Electrical | Power Supply Voltage (Vs) | SELV/PELV 24 VDC±20% (ripple p-p 10% max.) | | |
| | Current Consumption | Refer to page 52 . | | |
| | Safety Outputs (OSSD) | Two PNP or NPN transistor outputs (PNP or NPN is selectable by Configuration Tool.) | | |
| | | Load current of 300 mA max., Residual voltage of 2 V max. (except for voltage drop due to cable extension), Capacitive load of 1 μF max., Inductive load of 2.2 H max. *1 Leakage current of 1 mA max. (PNP), 2 mA max. (NPN) *2 *1. The load inductance is the maximum value when the safety output frequently repeats ON and OFF. When you use the safety output at 4 Hz or less, the usable load inductance becomes larger. *2. These values must be taken into consideration when connecting elements including a capacitive load such as a capacitor. | | |
| | Auxiliary Output | One PNP or NPN transistor output (PNP or NPN is selectable by Configuration Tool.) Load current of 100 mA max., Residual voltage of 2 V max . | | |
| | Output Operation Mode | Safety Output | Light-ON (Safety output is enabled when the receiver receives an emitting signal.) | |
| | | Auxiliary Output | Safety output (Inverted signal output:Enable) (default) (Cofigurable by Configuration Tool) | |
| | Input Voltage | External device monitoring input (Lockout reset input) | PNP ON voltage: Vs-3 V to Vs (short circuit current: approx. 6.5 mA) * OFF voltage: 0 V to 1/2 Vs, or open (short circuit current: approx. 8.0 mA) * NPN ON voltage: 0 V to 3 V (short circuit current: approx. 8.0 mA) OFF voltage: 1/2 Vs to Vs, or open (short circuit current: approx. 6.5 mA) * | |
| | | Muting input A/B | PNP ON voltage: Vs-3 V to Vs (short circuit current: approx. 3.0 mA) * OFF voltage: 0 V to 1/2 Vs, or open (short circuit current: approx. 5.0 mA) * NPN ON voltage: 0 V to 3 V (short circuit current: approx. 5.0 mA) OFF voltage: 1/2 Vs to Vs, or open (short circuit current: approx. 3.0 mA) * | |
| | | Test input | 24 V Active setting: ON voltage: 9 V to Vs (short circuit current: approx. 2.5 mA) * OFF voltage: 0 V to 1.5 V or open (short circuit current: approx. 2.0 mA) 0 V Active setting: ON voltage: 0 V to 3 V (short circuit current: approx. 2.0 mA) OFF voltage: 9 V to Vs or open (short circuit current: approx. 2.5 mA) * | |
| | | * The Vs indicates a supply voltage value in your environment. | | |
| Overvoltage Category (IEC 60664-1) | II | | | |
| Indicators | Refer to page 54. | | | |
| Protective Circuit | Output short protection, Power supply reverse polarity protection | | | |
| Insulation Resistance | 20 MΩ or higher (500 VDC megger) | | | |
| Dielectric Strength | 1,000 VAC, 50/60 Hz (1 min) | | | |
| Functional | Mutual Interference Prevention (Scan Code) | This function prevents mutual interference in up to two F3SG-RR systems. | | |
| | Cascade Connection | Number of cascaded segments: 3 max. Total number of beams: 255 max. Cable length between sensors: 10 m max. (not including cascading cable (F39-JGR2WTS) and power cable) | | |
| | | Test Function | | |
| | Safety-Related Functions | Interlock External device monitoring (EDM) Pre-reset Fixed blanking/Floating blanking Reduced resolution Muting/Override Scan code selection PNP/NPN selection Response time adjustment | | |

| | | | F3SG-4RR□□□□-14 | F3SG-4RR□□□□-25 |
|--------------------------------|---|--|--|-----------------|
| Environmental | Ambient Temperature | Operating | -10 to 55°C (14 to 131°F) (non-icing) | |
| | | Storage | -25 to 70°C (-13 to 158°F) | |
| | Ambient Humidity | Operating | 35% to 85% (non-condensing) | |
| | | Storage | 35% to 95% | |
| | Ambient Illuminance | | Incandescent lamp: 3,000 lx max. on receiver surface Sunlight: 10,000 lx max. on receiver surface | |
| | Degree of Protection (IEC 60529) | | IEC 60529: IP65 and IP67, JIS C 0920 Annex 1: IP67G | |
| | Vibration Resistance (IEC 61496-1) | | 10 to 55 Hz, Multiple amplitude of 0.7 mm, 20 sweeps for all 3 axes | |
| Shock Resistance (IEC 61496-1) | | 100 m/s ² , 1000 shocks for all 3 axes | | |
| Pollution Degree (IEC 60664-1) | | Pollution Degree 3 | | |
| Connections | Power cable | Type of Connection | M12 connectors: 8-pin emitter and receiver. Cables prewired to the sensors. IP67 and IP67G (JIS C 0920 Annex 1) * rated when mated. *F3SG-RR meets the degree of protection when it is correctly connected with an F39-JD□□RA-□ Oil-Resistant cable. | |
| | | Number of Wires | Emitter: 5, Receiver: 8 | |
| | | Cable Length | 0.3 m | |
| | | Cable Diameter | 6 mm | |
| | | Minimum Bending Radius | R36 mm | |
| | Cascading cable | Type of Connection | M12 connectors: 8-pin emitter and receiver. IP67 rated when mated. | |
| | | Number of Wires | Emitter: 5, Receiver: 8 | |
| | | Cable Length | 0.3 m | |
| | | Minimum Bending Radius | R5 mm | |
| | F39-JD□RA-□ Oil-Resistant cable - Single-Ended Cable | Type of Connection | M12 connectors: 8-pin emitter and receiver. Cables prewired to the sensors. IP67 and IP67G (JIS C 0920 Annex 1)* rated when mated. * F3SG-RR meets the degree of protection when it is correctly connected with the power cable. The degree of protection is not satisfied with the part where cable wires are uncovered. | |
| | | Number of Wires | Emitter: 5, Receiver: 8 | |
| | | Cable Length | Refer to page 46. | |
| | | Cable Diameter | 6 mm | |
| | | Minimum Bending Radius | R36 mm | |
| | Extension cable - Single-Ended Cable (F39-JD□A) - Double-Ended Cable (F39-JD□B) | Type of Connection | M12 connectors: 8-pin emitter and receiver. IP67 rated when mated. | |
| | | Number of Wires | Emitter: 8, Receiver: 8 | |
| | | Cable Length | Refer to page 46 and 47. | |
| Extension of Power Cable | | 100 m max. (Emitter/Receiver) | | |
| Material | Material | Housing: Aluminum alloy Cap: PBT resin Front window: Acrylic resin Cable: Fluororesin FE plate: Stainless steel | | |
| | Weight | Refer to page 52 . | | |
| | Included Accessories | Safety Precautions, Quick Installation Manual, Troubleshooting Guide Sticker, Warning Zone Label, End Cap (for switching External Test Input function) | | |
| Conformity | Conforming standards | Refer to page 53. | | |
| | Performance Level (PL)/Safety category | PL e/Category 4 (EN ISO 13849-1:2015) | | |
| | PFH _d | 1.1 × 10 ⁻⁸ (IEC 61508) | | |
| | Proof test interval T _M | Every 20 years (IEC 61508) | | |
| | SFF | 99% (IEC 61508) | | |
| | HFT | 1 (IEC 61508) | | |
| Classification | | Type B (IEC 61508-2) | | |

Bluetooth Communication Unit

| | |
|-----------------------|---|
| Communication System | Bluetooth Version 3.0 |
| Communication Profile | SPP (Serial Port Profile) |
| Transmission Distance | Approx. 10 m max. (Output power: Class 2) * |

* It depends on use environment conditions.

F3SG-RR

List of Models/Response Time/Current Consumption/Weight

F3SG-4RR□□□□-14

| Model | Number of Beams | Protective Height [mm] (Overall length) | Response Time [ms] *1 | | | Current Consumption [mA] | | Weight [kg] | |
|-----------------|-----------------|---|-----------------------|-------------------------|-----------------------------|--------------------------|----------|-------------|----------|
| | | | ON → OFF *2 | OFF (Synchronized) → ON | OFF (Not synchronized) → ON | Emitter | Receiver | Net *3 | Gross *4 |
| F3SG-4RR0240-14 | 23 | 240 | 8 | 40 | 140 | 45 | 75 | 0.7 | 1.5 |
| F3SG-4RR0320-14 | 31 | 320 | 8 | 40 | 140 | 55 | 75 | 0.9 | 1.7 |
| F3SG-4RR0400-14 | 39 | 400 | 8 | 40 | 140 | 60 | 80 | 1.1 | 2.0 |
| F3SG-4RR0480-14 | 47 | 480 | 13 | 65 | 165 | 50 | 80 | 1.3 | 2.3 |
| F3SG-4RR0560-14 | 55 | 560 | 13 | 65 | 165 | 55 | 80 | 1.5 | 2.5 |
| F3SG-4RR0640-14 | 63 | 640 | 13 | 65 | 165 | 60 | 85 | 1.7 | 2.8 |
| F3SG-4RR0720-14 | 71 | 720 | 13 | 65 | 165 | 65 | 85 | 1.9 | 3.1 |
| F3SG-4RR0800-14 | 79 | 800 | 13 | 65 | 165 | 65 | 90 | 2.1 | 3.4 |
| F3SG-4RR0880-14 | 87 | 880 | 13 | 65 | 165 | 70 | 90 | 2.4 | 3.6 |
| F3SG-4RR0960-14 | 95 | 960 | 13 | 65 | 165 | 75 | 90 | 2.6 | 3.9 |
| F3SG-4RR1040-14 | 103 | 1040 | 13 | 65 | 165 | 80 | 95 | 2.8 | 4.2 |
| F3SG-4RR1120-14 | 111 | 1120 | 13 | 65 | 165 | 85 | 95 | 3.0 | 4.4 |
| F3SG-4RR1200-14 | 119 | 1200 | 13 | 65 | 165 | 90 | 100 | 3.2 | 4.7 |
| F3SG-4RR1280-14 | 127 | 1280 | 13 | 65 | 165 | 95 | 100 | 3.4 | 5.0 |
| F3SG-4RR1360-14 | 135 | 1360 | 13 | 65 | 165 | 95 | 105 | 3.6 | 5.3 |
| F3SG-4RR1440-14 | 143 | 1440 | 18 | 90 | 190 | 85 | 105 | 3.8 | 5.5 |
| F3SG-4RR1520-14 | 151 | 1520 | 18 | 90 | 190 | 90 | 105 | 4.0 | 5.8 |
| F3SG-4RR1600-14 | 159 | 1600 | 18 | 90 | 190 | 90 | 110 | 4.2 | 6.1 |
| F3SG-4RR1680-14 | 167 | 1680 | 18 | 90 | 190 | 95 | 110 | 4.4 | 6.3 |
| F3SG-4RR1760-14 | 175 | 1760 | 18 | 90 | 190 | 100 | 115 | 4.6 | 6.6 |
| F3SG-4RR1840-14 | 183 | 1840 | 18 | 90 | 190 | 100 | 115 | 4.8 | 6.9 |
| F3SG-4RR1920-14 | 191 | 1920 | 18 | 90 | 190 | 105 | 120 | 5.0 | 7.2 |

*1. The maximum speed of movement of a test rod up to which the detection capability is maintained is 2.0 m/s.

*2. The response times are values when Scan Code is set at Code B. The response times for Code A are 1 ms shorter than these values.

*3. The net weight is the weight of an emitter and a receiver.

*4. The gross weight is the weight of an emitter, a receiver, included accessories and a package.

F3SG-4RR□□□□-25

| Model | Number of Beams | Protective Height [mm] (Overall length) | Response Time [ms] *1 | | | Current Consumption [mA] | | Weight [kg] | |
|-----------------|-----------------|---|-----------------------|-------------------------|-----------------------------|--------------------------|----------|-------------|----------|
| | | | ON → OFF *2 | OFF (Synchronized) → ON | OFF (Not synchronized) → ON | Emitter | Receiver | Net *3 | Gross *4 |
| F3SG-4RR0240-25 | 12 | 240 | 8 | 40 | 140 | 35 | 75 | 0.7 | 1.6 |
| F3SG-4RR0320-25 | 16 | 320 | 8 | 40 | 140 | 40 | 75 | 0.9 | 1.9 |
| F3SG-4RR0400-25 | 20 | 400 | 8 | 40 | 140 | 45 | 75 | 1.1 | 2.1 |
| F3SG-4RR0480-25 | 24 | 480 | 8 | 40 | 140 | 50 | 75 | 1.3 | 2.4 |
| F3SG-4RR0560-25 | 28 | 560 | 8 | 40 | 140 | 50 | 75 | 1.5 | 2.7 |
| F3SG-4RR0640-25 | 32 | 640 | 8 | 40 | 140 | 55 | 75 | 1.7 | 3.0 |
| F3SG-4RR0720-25 | 36 | 720 | 8 | 40 | 140 | 60 | 80 | 1.9 | 3.2 |
| F3SG-4RR0800-25 | 40 | 800 | 8 | 40 | 140 | 65 | 80 | 2.1 | 3.5 |
| F3SG-4RR0880-25 | 44 | 880 | 13 | 65 | 165 | 50 | 80 | 2.3 | 3.8 |
| F3SG-4RR0960-25 | 48 | 960 | 13 | 65 | 165 | 50 | 80 | 2.5 | 4.0 |
| F3SG-4RR1040-25 | 52 | 1040 | 13 | 65 | 165 | 55 | 80 | 2.7 | 4.3 |
| F3SG-4RR1120-25 | 56 | 1120 | 13 | 65 | 165 | 55 | 85 | 2.9 | 4.6 |
| F3SG-4RR1200-25 | 60 | 1200 | 13 | 65 | 165 | 55 | 85 | 3.1 | 4.9 |
| F3SG-4RR1280-25 | 64 | 1280 | 13 | 65 | 165 | 60 | 85 | 3.3 | 5.1 |
| F3SG-4RR1360-25 | 68 | 1360 | 13 | 65 | 165 | 60 | 85 | 3.5 | 5.4 |
| F3SG-4RR1440-25 | 72 | 1440 | 13 | 65 | 165 | 65 | 85 | 3.7 | 5.7 |
| F3SG-4RR1520-25 | 76 | 1520 | 13 | 65 | 165 | 65 | 90 | 3.9 | 5.9 |
| F3SG-4RR1600-25 | 80 | 1600 | 13 | 65 | 165 | 70 | 90 | 4.1 | 6.2 |
| F3SG-4RR1680-25 | 84 | 1680 | 13 | 65 | 165 | 70 | 90 | 4.3 | 6.5 |
| F3SG-4RR1760-25 | 88 | 1760 | 13 | 65 | 165 | 70 | 90 | 4.5 | 6.7 |
| F3SG-4RR1840-25 | 92 | 1840 | 13 | 65 | 165 | 75 | 90 | 4.7 | 7.0 |
| F3SG-4RR1920-25 | 96 | 1920 | 13 | 65 | 165 | 75 | 95 | 4.9 | 7.3 |

*1. The maximum speed of movement of a test rod up to which the detection capability is maintained is 2.0 m/s.

*2. The response times are values when Scan Code is set at Code B. The response times for Code A are 1 ms shorter than these values.

*3. The net weight is the weight of an emitter and a receiver.

*4. The gross weight is the weight of an emitter, a receiver, included accessories and a package.

Legislation and Standards

1. The F3SG-RR does not receive type approval provided by Article 44-2 of the Industrial Safety and Health Act of Japan. When using the F3SG-RR in Japan as a "safety system for pressing or shearing machines" prescribed in Article 42 of that law, the machine control system must receive type approval.
2. The F3SG-RR is electro-sensitive protective equipment (ESPE) in accordance with European Union (EU) Machinery Directive Index Annex V, Item 2.
3. EC/EU Declaration of Conformity
OMRON declares that the F3SG-RR is in conformity with the requirements of the following EC/EU Directives:
Machinery Directive 2006/42/EC
EMC Directive 2014/30/EU
4. Conforming Standards
 - (1) European standards
EN61496-1 (Type 4 ESPE), EN 61496-2 (Type 4 AOPD), EN61508-1 through -4 (SIL 3), EN ISO 13849-1:2015 (PL e, Category 4)
 - (2) International standards
IEC61496-1 (Type 4 ESPE), IEC61496-2 (Type 4 AOPD), IEC61508-1 through -4 (SIL 3), ISO 13849-1:2015 (PL e, Category 4)
 - (3) JIS standards
JIS B 9704-1 (Type 4 ESPE), JIS B 9704-2 (Type 4 AOPD)
 - (4) North American standards
UL61496-1 (Type 4 ESPE), UL61496-2 (Type 4 AOPD), UL508, UL1998, CAN/CSA C22.2 No.14, CAN/CSA C22.2 No.0.8
5. Third-Party Certifications
 - (1) TÜV SÜD
 - EC Type-Examination certificate:
EU Machinery Directive, Type 4 ESPE (EN61496-1), Type 4 AOPD (EN 61496-2)
 - Certificate:
Type 4 ESPE (EN61496-1), Type 4 AOPD (EN61496-2), EN 61508-1 through -4 (SIL 3), EN ISO 13849-1:2015 (PL e, Category 4)
 - (2) UL
 - UL Listing:
Type 4 and ESPE (UL61496-1), Type 4 AOPD (UL61496-2), UL508, UL1998, CAN/CSA C22.2 No.14, CAN/CSA C22.2 No.0.8
6. Other Standards
The F3SG-RR is designed according to the standards listed below. To make sure that the final system complies with the following standards and regulations, you are asked to design and use it in accordance with all other related standards, laws, and regulations. If you have any questions, consult with specialized organizations such as the body responsible for prescribing and/or enforcing machinery safety regulations in the location where the equipment is to be used.
 - European Standards: EN415-4, EN691-1, EN692, EN693, IEC 62046
 - U.S. Occupational Safety and Health Standards: OSHA 29 CFR 1910.212
 - U.S. Occupational Safety and Health Standards: OSHA 29 CFR 1910.217
 - American National Standards: ANSI B11.1 to B11.19
 - American National Standards: ANSI/RIA R15.06
 - Canadian Standards Association CSA Z142, Z432, Z434
 - SEMI Standards SEMI S2
 - Japan Ministry of Health, Labour and Welfare "Guidelines for Comprehensive Safety Standards of Machinery", Standard Bureau's Notification No. 0731001 dated July 31, 2007.rms and Conditions Agreement

F3SG-RR

Indicator

Emitter

| Name of Indicator | | Color | Illuminated | Blinking |
|-------------------|---------|-------|--------------------|--|
| Test | TEST | Green | – | External Test is being performed |
| Operating range | LONG | Green | Always illuminated | Lockout state due to Scan code setting error |
| Power | POWER | Green | Power is ON. | Error due to noise |
| Lockout | LOCKOUT | Red | – | Lockout state due to error in emitter |

Receiver

| Name of Indicator | | Color | Illuminated | Blinking |
|----------------------------|----------|--------|--|--|
| Top-beam-state | TOP | Blue | The top beam is unblocked | Muting/Override state, or Lockout state due to Cap error or Other sensor error |
| PNP/NPN mode | NPN | Green | NPN mode is selected | – |
| Response time | SLOW | Green | Response Time Adjustment is enabled | – |
| Sequence error | SEQ | Yellow | – | Sequence error in Muting or Pre-reset mode |
| Blanking | BLANK | Green | Blanking, Warning Zone or Reduced Resolution is enabled | Blanking Monitoring error |
| Configuration | CFG | Green | – | Zone measurement being performed by Dynamic Muting, or Lockout state due to Parameter error or Cascading Configuration error |
| Interlock | INT-LK | Yellow | Interlock state | Pre-reset mode *2 |
| External device monitoring | EDM | Green | RESET input is in ON state *1 | Lockout state due to EDM error |
| Internal error | INTERNAL | Red | – | Lockout state due to Internal error, or error due to abnormal power supply or noise |
| Lockout | LOCKOUT | Red | – | Lockout state due to error in receiver |
| Stable-state | STB | Green | Incident light level is 170% or higher of ON-threshold | Safety output is instantaneously turned OFF due to ambient light or vibration |
| ON/OFF | ON/OFF | Green | Safety output is in ON state | – |
| | | Red | Safety output is in OFF state | Lockout state due to Safety Output error, or error due to abnormal power supply or noise |
| Communication | COM | Green | Synchronization between emitter and receiver is maintained | Lockout state due to Communication error, or error due to abnormal power supply or noise |
| Bottom-beam-state | BTM | Blue | The bottom beam is unblocked | Muting/Override state, or Lockout state due to Scan code setting error |

Note: TOP, CFG, LOCKOUT, STB and ON/OFF indicators are illuminated when the receiver of the F3SG-RR is in Setting mode.

*1. The EDM indicator is illuminated when the EDM input is in the ON state regardless of the use of the EDM function.

*2. Refer to *Safety Light Curtain F3SG-□/RR Series User's Manual (ManNo.: Z383)* for more information of blinking patterns.

Interface Unit

| | |
|------------------------------|---|
| Main Unit | PC/AT compatible machine (computer that runs Microsoft Windows) |
| Operating System (OS) | Windows 7 (32-bit/64-bit), Windows 8, 8.1 (32-bit/64-bit), Windows 10 (32-bit/64-bit) |
| Communication Port | USB port x1 |
| Ambient Temperature | Operating: -10 to 55°C, Storage: -30 to 70°C (non-icing and non-condensing) |
| Ambient Humidity | Operating: 35% to 85%, Storage: 35% to 95% (non-condensing) |

Lamp

| Item | F39-LP |
|-----------------------------|---|
| Applicable Sensor | F3SG-□RA/RR Series Safety Light Curtain (Receiver) |
| LED Light Color | Red/Green/Orange |
| Power Supply Voltage | 24 VDC±20%, ripple p-p 10% max. (shares sensor's power supply) |
| Current Consumption | 25 mA max. (shares sensor's power supply.) |
| Ambient Temperature | Operating: -10 to 55°C, Storage: -25 to 70°C |
| Ambient Humidity | Operating: 35% to 85%, Storage: 35% to 95% |
| Vibration Resistance | 10 to 55 Hz, Multiple amplitude of 0.7 mm, 20 sweeps for all 3 axes |
| Shock Resistance | 100 m/s ² , 1000 shocks for all 3 axes |
| Degree of Protection | IP65 and IP67 (When attached to F3SG) |
| Type of Connection | Connectable to F3SG-RA/RR's terminal connector |
| Material | Lighting element: PC, Other body parts: PBT |
| Weight | 45 g (when packaged) |

Connections (Basic Wiring Diagram)

Standalone F3SG-RR using PNP Outputs

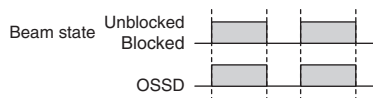
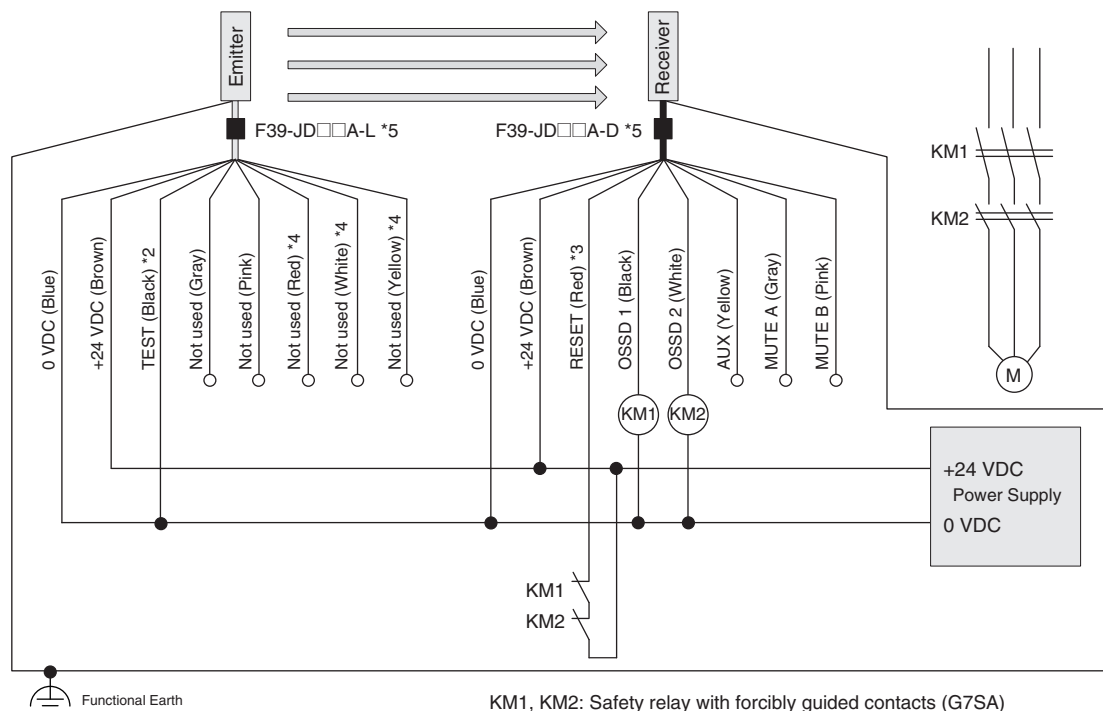
Auto Reset Mode, EDM enabled and PNP Outputs

The following is the example of Muting not used, External Device Monitoring enabled, Auto Reset Mode, PNP outputs and External Test in 24 V Active (not used).

Settings

| | Function |
|----------|---|
| Receiver | EDM Enabled (factory default setting) *1 |
| | Auto Reset (factory default setting) *1 |
| | PNP (factory default setting) *1 |
| Emitter | External Test: 24 V Active (End Cap: Black) (factory default setting) |

Wiring Example



KM1, KM2: Safety relay with forcibly guided contacts (G7SA)
M: Motor

- *1. The functions are configurable with Configuration Tool. Refer to *Safety Light Curtain Configuration Tool for Model F3SG (SD Manager 2) User's Manual* for more information on setting the functions by the Configuration Tool.
- *2. Connect the line to 24 V via a test switch (N.O. contact) if External Test is used.
- *3. Also used as EDM input line. Connect a lockout reset switch (N.C. contact) to this line in series with the KM1 and KM2 if Lockout Reset is used.
- *4. The F39-JD□□RA-L Single-Ended Cable for Emitter (Oil-Resistant Cable) does not have the red, white and yellow wires.
- *5. For the F39-JD□□A-□ Single-Ended Cable, connect the shield line to 0 V.

Note: Functional earth connection is unnecessary when you use the F3SG-RR in a general industrial environment where noise control or stable power supply is considered. However, when you use the F3SG-RR in an environment where there may be excessive noise from surroundings or stable power supply may be interfered, it is recommended the F3SG-RR be connected to functional earth.

The wiring examples in later examples do not indicate functional earth. To use functional earth, wire an earth cable according to the example above. Refer to *Safety Light Curtain F3SG-RR Series User's Manual* for more information.

Standalone F3SG-RR using NPN Outputs

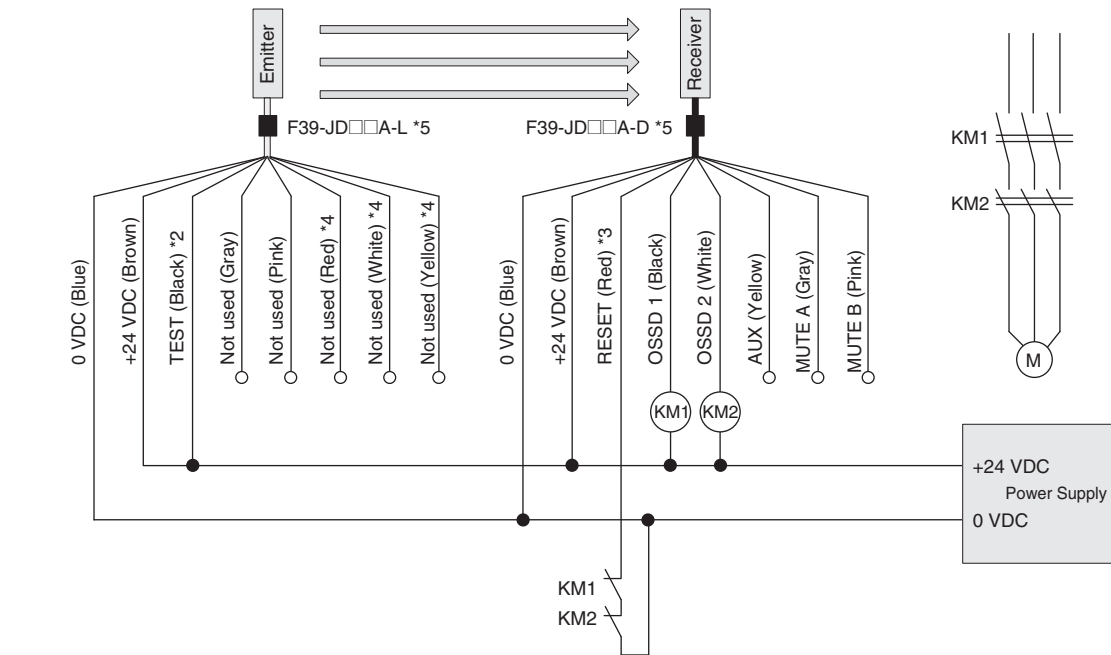
Auto Reset Mode, EDM enabled and NPN Outputs

The following is the example of Muting not used, External Device Monitoring enabled, Auto Reset Mode, NPN outputs and External Test in 0 V Active (not used).

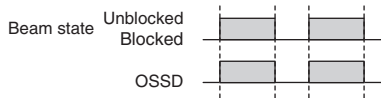
Settings

| | Function |
|----------|--|
| Receiver | EDM Enabled (factory default setting) *1 |
| | Auto Reset (factory default setting) *1 |
| | NPN *1 |
| Emitter | External Test: 0 V Active (End Cap: White) |

Wiring Example



KM1, KM2: Safety relay with forcibly guided contacts (G7SA)
M: Motor



*1. The functions are configurable with Configuration Tool. Refer to *Safety Light Curtain Configuration Tool for Model F3SG (SD Manager 2) User's Manual* for more information on setting the functions by the Configuration Tool.

*2. Connect the line to 0 V via a test switch (N.O. contact) if External Test is used.

*3. Also used as EDM input line. Connect a lockout reset switch (N.C. contact) to this line in series with the KM1 and KM2 if Lockout Reset is used.

*4. The F39-JD□□RA-L Single-Ended Cable for Emitter (Oil-Resistant Cable) does not have the red, white and yellow wires.

*5. For the F39-JD□□A-□ Single-Ended Cable, connect the shield line to 0 V.

Note: For the functional earth connection, refer to page 55.

Connectable Safety Control Units

The F3SG-RR with PNP output can be connected to the safety control units listed in the table below.

| Connectable Safety Control Units (PNP output) | | |
|---|-----------------------|--------------------|
| Safety Relay Units | Flexible Safety Units | Safety Controllers |
| G9SA-301 | | G9SP-N10S |
| G9SA-321-T□ | | G9SP-N10D |
| G9SA-501 | | G9SP-N20S |
| G9SB-200-B | G9SX-AD322-T | NE0A-SCPU01 |
| G9SB-200-D | G9SX-ADA222-T | NE1A-SCPU01 |
| G9SB-301-B | G9SX-BC202 | NE1A-SCPU02 |
| G9SB-301-D | G9SX-GS226-T15 | DST1-ID12SL-1 |
| G9SE-201 | | DST1-MD16SL-1 |
| G9SE-401 | | DST1-MRD08SL-1 |
| G9SE-221-T□ | | NX-SIH400 |
| | | NX-SID800 |
| | | F3SP-T01 |

The F3SG-R with NPN output can be connected to the safety control units listed in the table below.

| Connectable Safety Control Units (NPN output) |
|---|
| Safety Relay Units |
| G9SA-301-P |

F3SG-RR

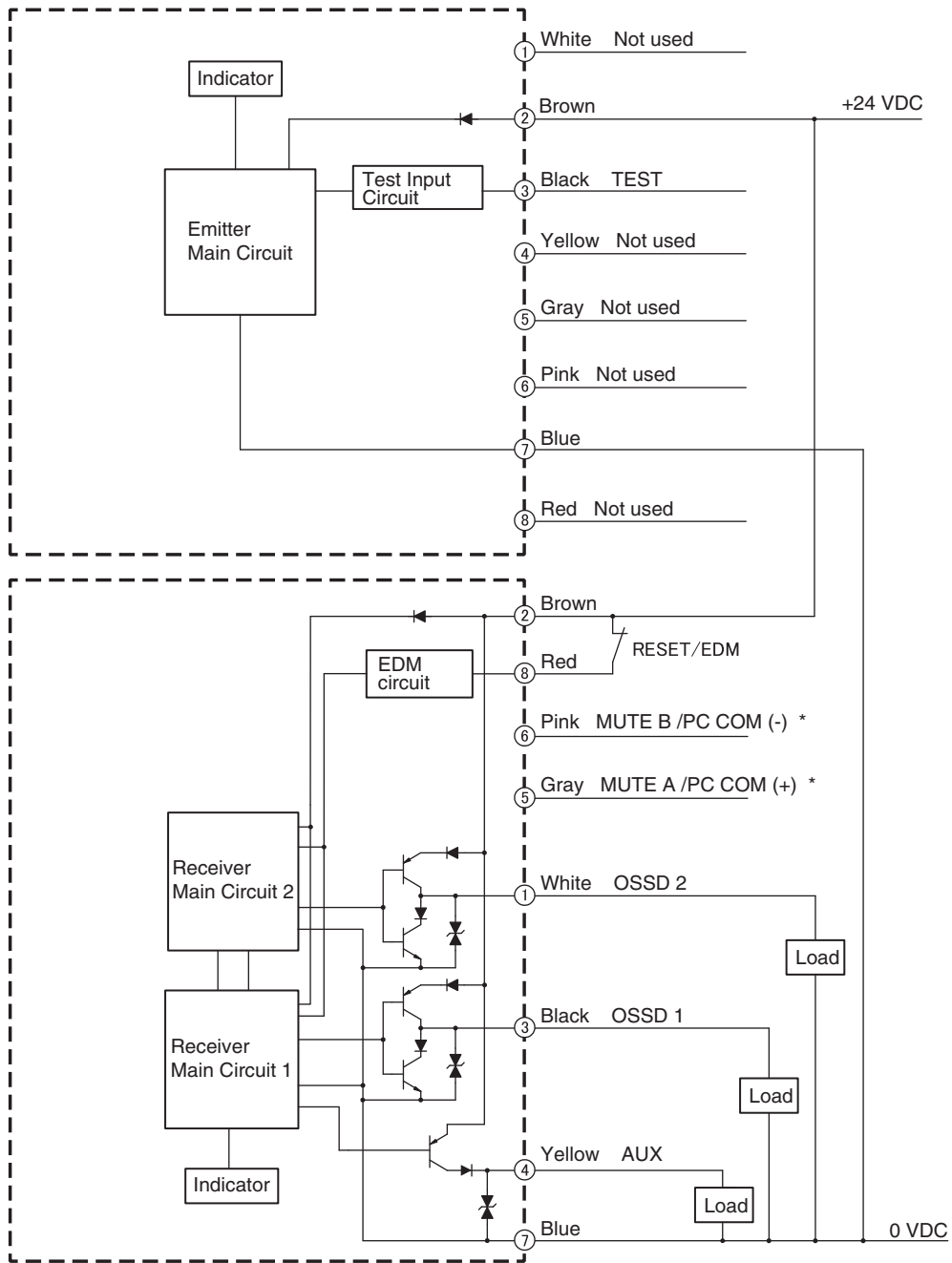
F3SG-RR

Input/Output Circuit

Entire Circuit Diagram

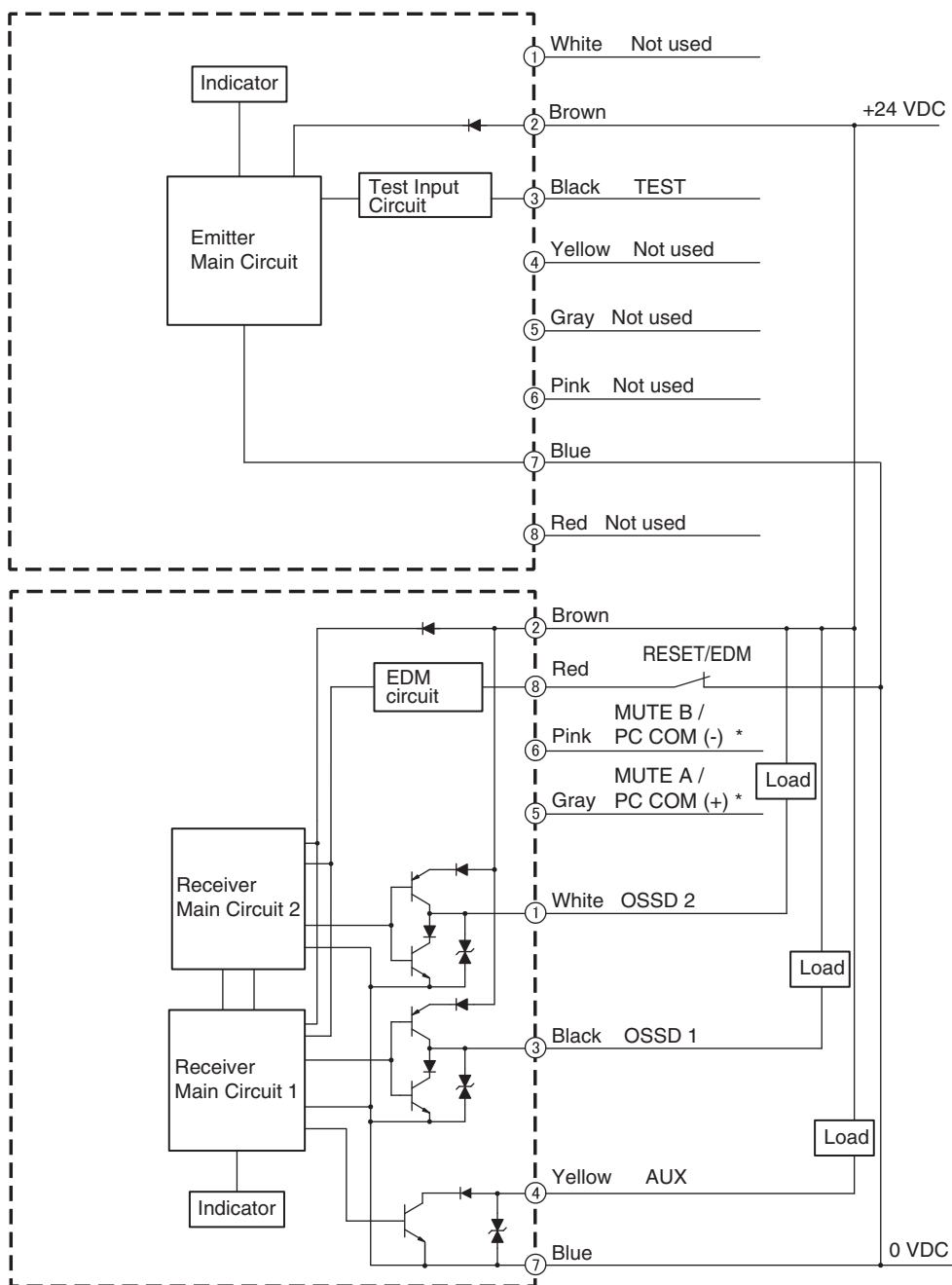
The entire circuit diagram of the F3SG-RR is shown below.
The numbers in the circles indicate the connector's pin numbers.

PNP Output



* This line is used for communication with a PC using the F39-GIF-1 Interface Unit.

NPN Output



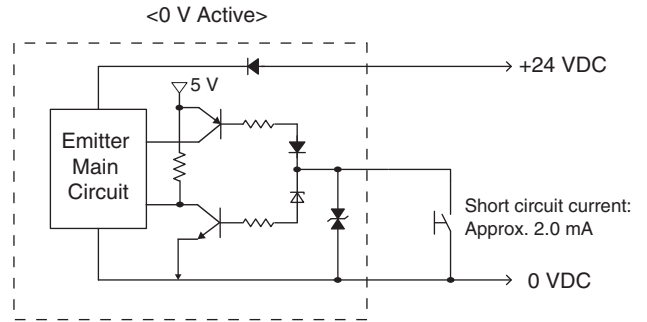
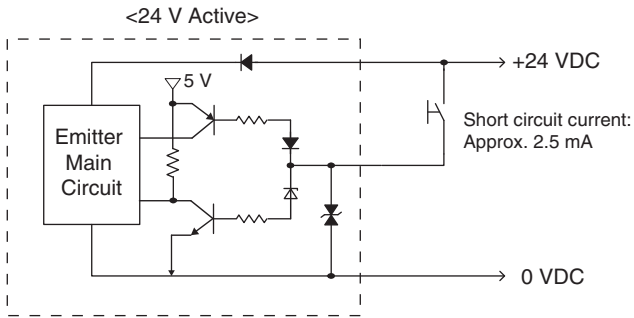
* This line is used for communication with a PC using the F39-GIF-1 Interface Unit.

F3SG-RR

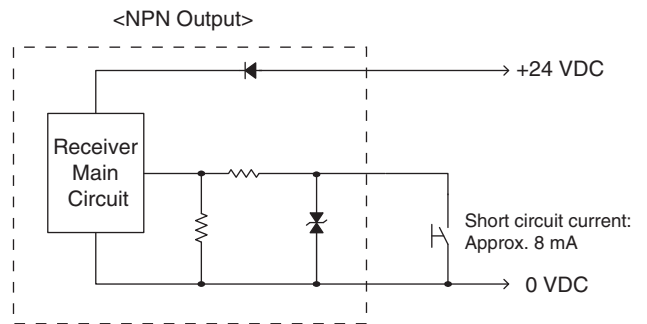
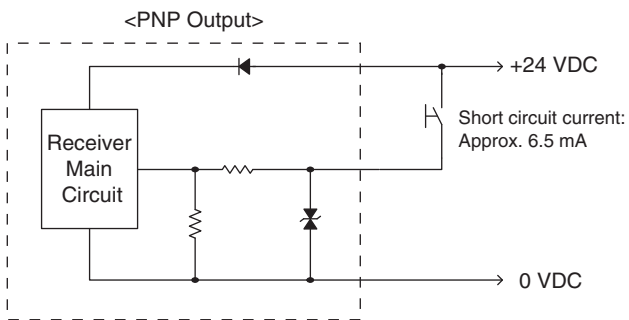
Input Circuit Diagram by Function

The input circuit diagrams of by function are shown below.

Test Input

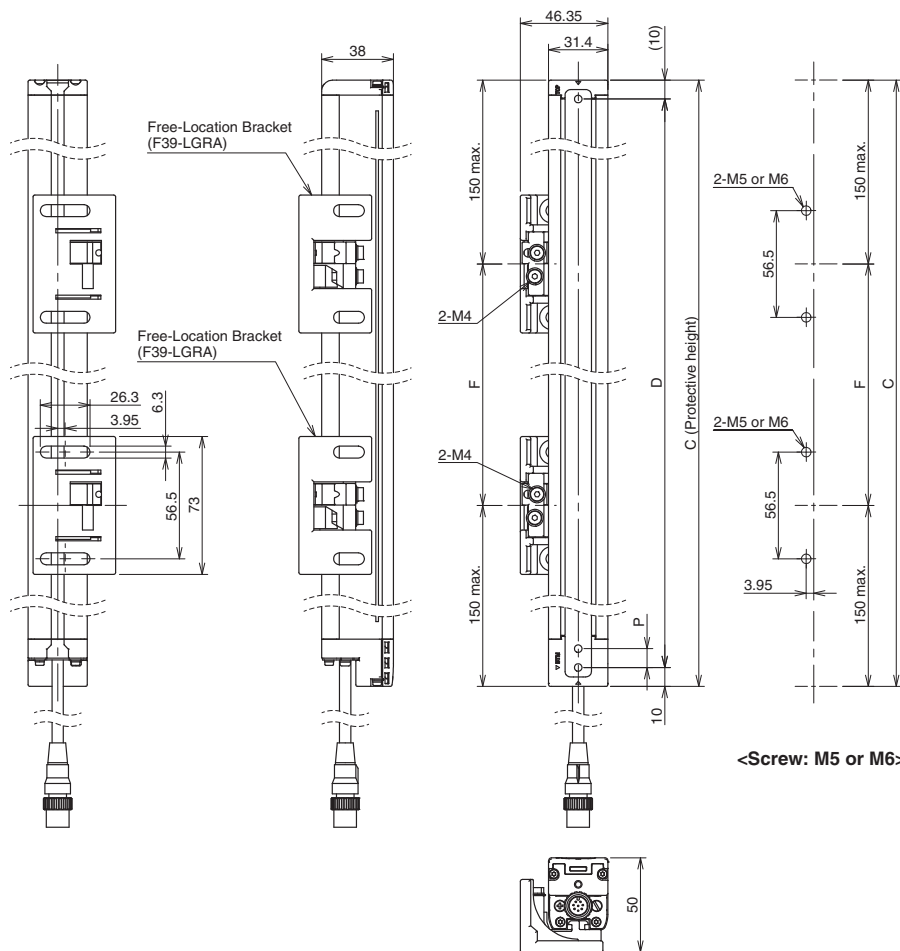


Reset/EDM



Dimensions

Mounted with Free-Location Brackets (F39-LGRA) Backside Mounting



| | | |
|--------------------|---|----|
| Dimension C | 4-digit number of the type name (Protective height) | |
| Dimension D | C-20 | |
| Dimension P | F3SG-4RR□□□□-14 | 10 |
| | F3SG-4RR□□□□-25 | 20 |

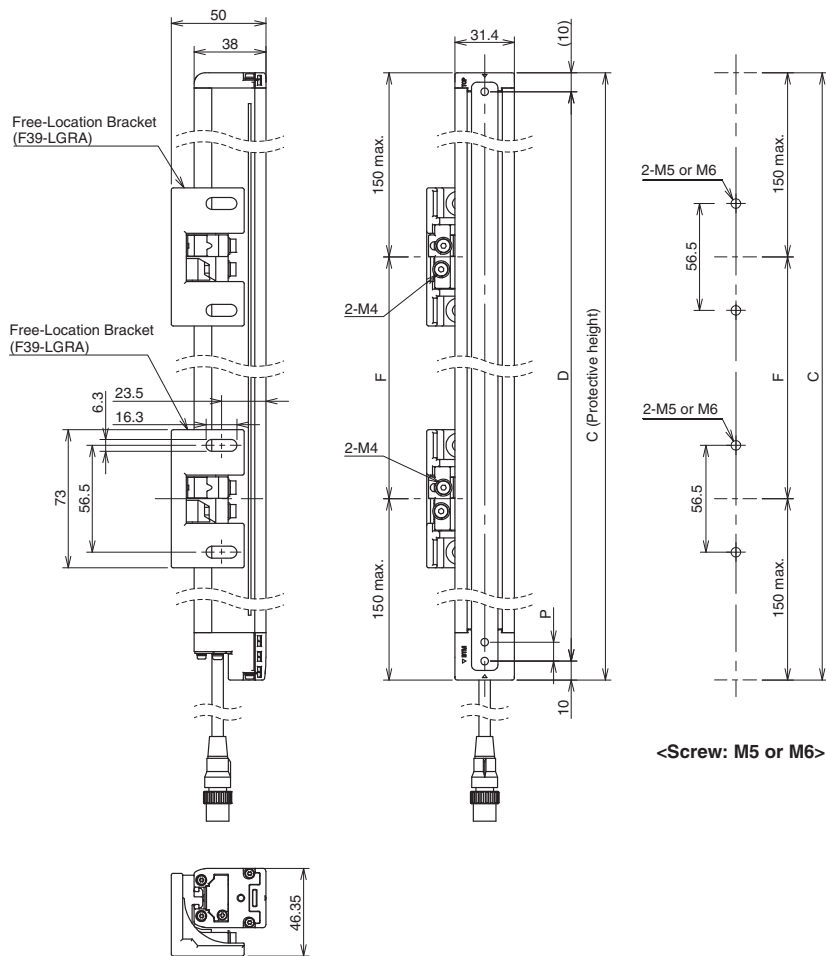
| Protective height (C) | Number of Free-Location Brackets *1 | Dimension F |
|-----------------------|-------------------------------------|--------------|
| 0240 to 1200 | 2 *2 | 1000 mm max. |
| 1280 to 1920 | 3 | 1000 mm max. |

*1. The number of brackets required to mount either one of emitter and receiver.

*2. Mounting an emitter or receiver with one bracket is possible for the model of protective height of 0240. In this case, locate this bracket at half the Dimension C (or at the center of the sensor length).

F3SG-RR

Side Mounting



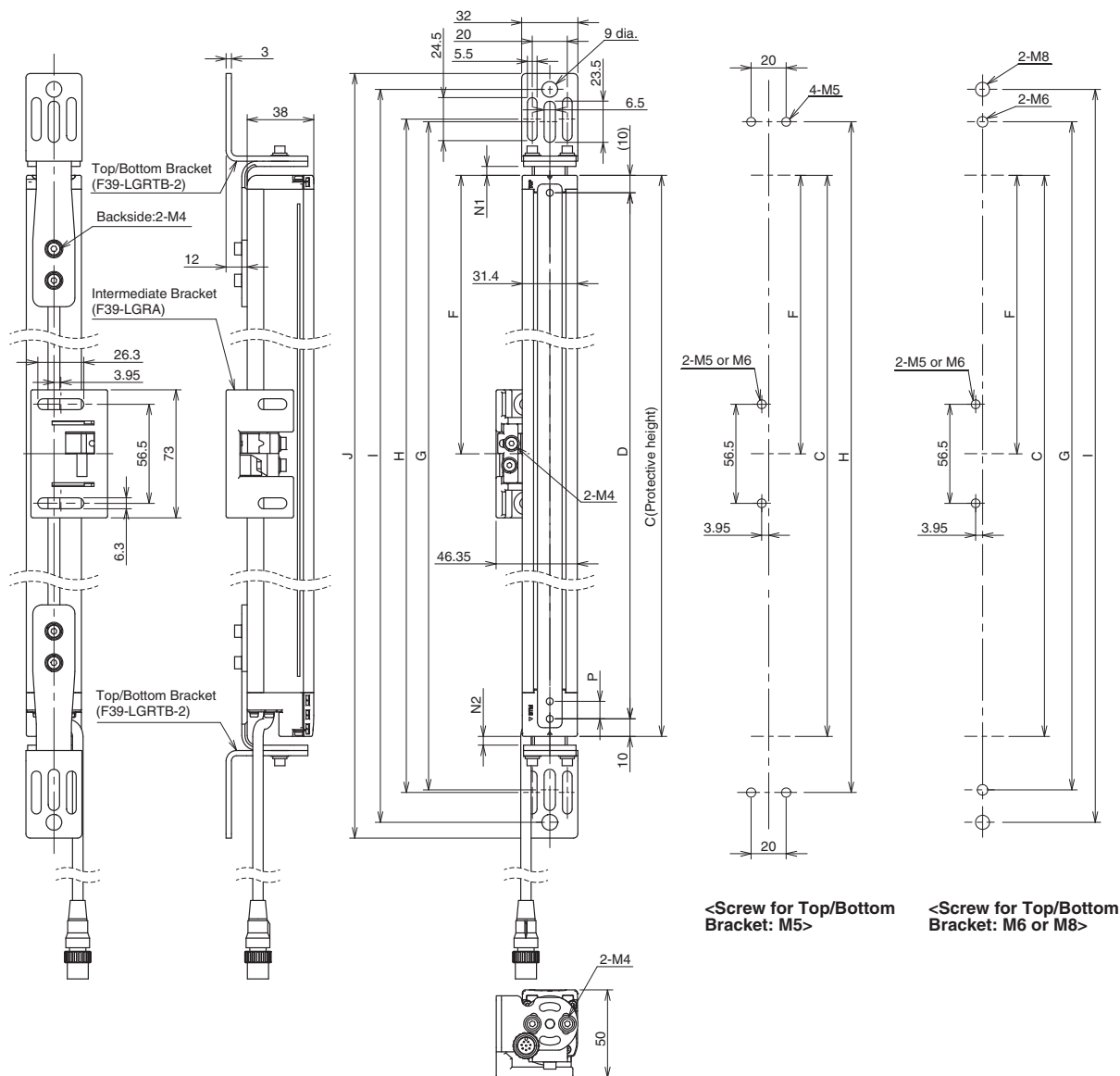
| | | |
|--------------------|---|----|
| Dimension C | 4-digit number of the type name (Protective height) | |
| Dimension D | C-20 | |
| Dimension P | F3SG-4RR□□□□-14 | 10 |
| | F3SG-4RR□□□□-25 | 20 |

| Protective height (C) | Number of Free-Location Brackets *1 | Dimension F |
|-----------------------|-------------------------------------|--------------|
| 0240 to 1200 | 2 *2 | 1000 mm max. |
| 1280 to 1920 | 3 | 1000 mm max. |

*1. The number of brackets required to mount either one of emitter and receiver.

*2. Mounting an emitter or receiver with one bracket is possible for the model of protective height of 0240. In this case, locate this bracket at half the Dimension C (or at the center of the sensor length).

**Mounted with Top/Bottom Brackets (F39-LGRTB-2) and Intermediate Bracket (F39-LGRA)
Backside Mounting**



<Screw for Top/Bottom Bracket: M5>

<Screw for Top/Bottom Bracket: M6 or M8>

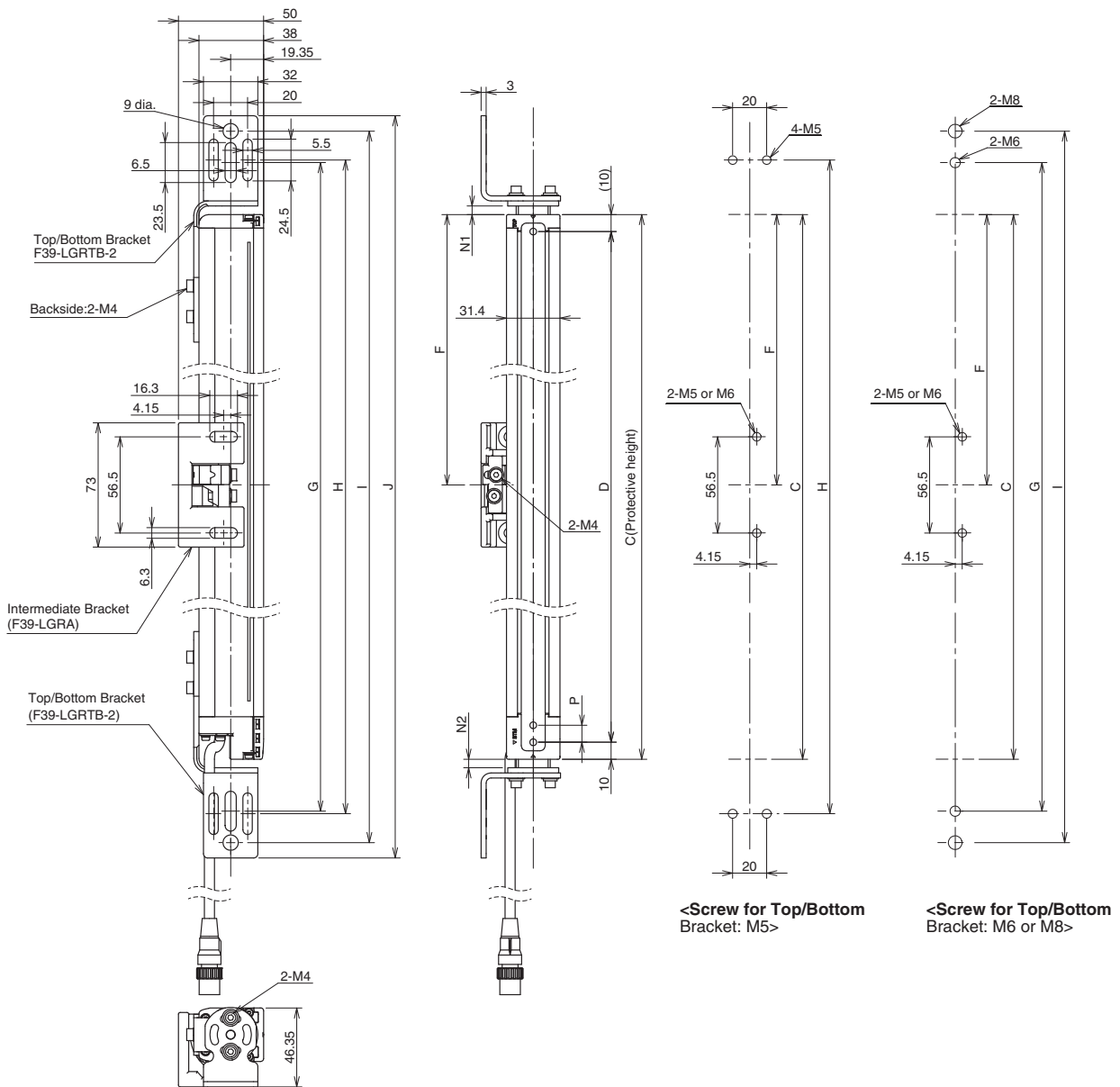
| | | |
|---------------------|---|----|
| Dimension C | 4-digit number of the type name (Protective height) | |
| Dimension D | C-20 | |
| Dimension G | C+51+N1+N2 | |
| Dimension H | C+54+N1+N2 | |
| Dimension I | C+88+N1+N2 | |
| Dimension J | C+106+N1+N2 | |
| Dimension N1 | 0 to 30 | |
| Dimension N2 | 0 to 13 | |
| Dimension P | F3SG-4RR□□□□-14 | 10 |
| | F3SG-4RR□□□□-25 | 20 |

| Protective height (C) | Number of Top/Bottom Brackets * | Number of Intermediate Brackets * | Dimension F |
|-----------------------|---------------------------------|-----------------------------------|--------------|
| 0240 to 1040 | 2 | 0 | - |
| 1120 to 1920 | 2 | 1 | 1000 mm max. |

* The number of brackets required to mount either one of emitter and receiver.

F3SG-RR

Side Mounting

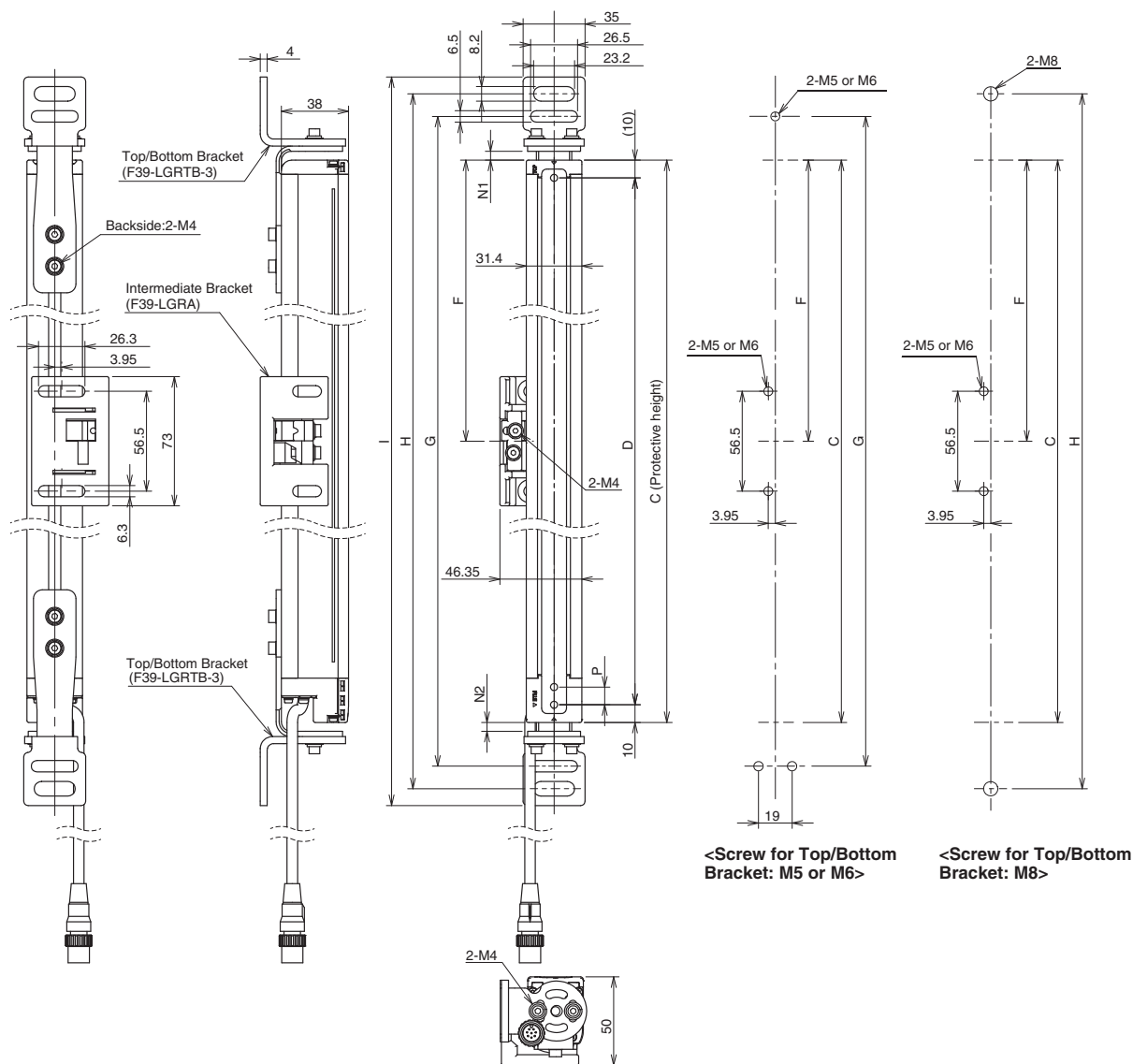


| | | |
|---------------------|---|----|
| Dimension C | 4-digit number of the type name (Protective height) | |
| Dimension D | C-20 | |
| Dimension G | C+51+N1+N2 | |
| Dimension H | C+54+N1+N2 | |
| Dimension I | C+88+N1+N2 | |
| Dimension J | C+106+N1+N2 | |
| Dimension N1 | 0 to 30 | |
| Dimension N2 | 0 to 13 | |
| Dimension P | F3SG-4RR□□□□-14 | 10 |
| | F3SG-4RR□□□□-25 | 20 |

| Protective height (C) | Number of Top/Bottom Brackets * | Number of Intermediate Brackets * | Dimension F |
|-----------------------|---------------------------------|-----------------------------------|--------------|
| 0240 to 1040 | 2 | 0 | - |
| 1120 to 1920 | 2 | 1 | 1000 mm max. |

* The number of brackets required to mount either one of emitter and receiver.

**Mounted with Top/Bottom Brackets (F39-LGRTB-3) and Intermediate Bracket (F39-LGRA)
Backside Mounting**



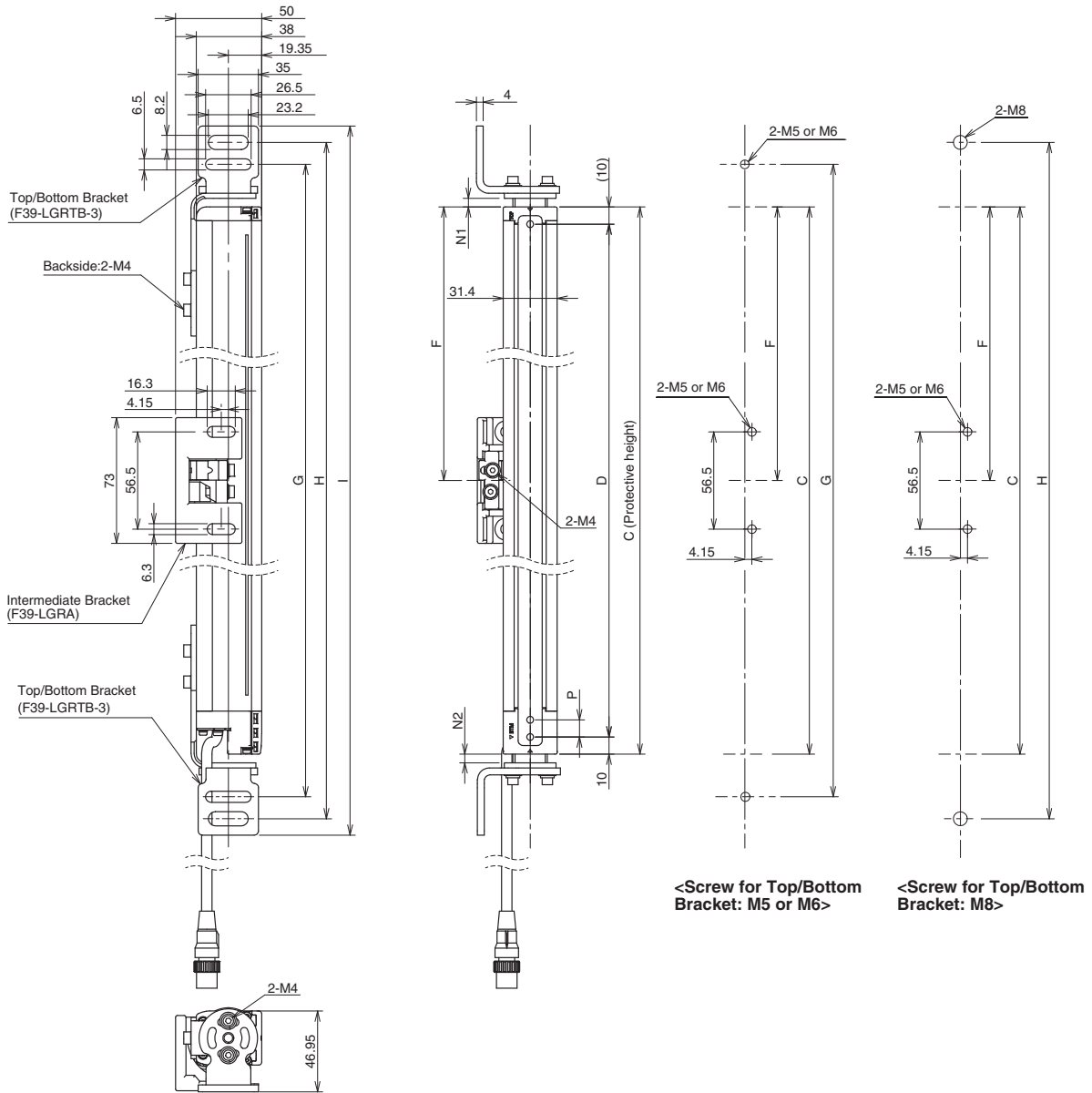
| | | |
|---------------------|---|----|
| Dimension C | 4-digit number of the type name (Protective height) | |
| Dimension D | C-20 | |
| Dimension G | C+39.5+N1+N2 | |
| Dimension H | C+65+N1+N2 | |
| Dimension I | C+84+N1+N2 | |
| Dimension N1 | 0 to 30 | |
| Dimension N2 | 0 to 13 | |
| Dimension P | F3SG-4RR□□□□-14 | 10 |
| | F3SG-4RR□□□□-25 | 20 |

| Protective height (C) | Number of Top/Bottom Brackets * | Number of Intermediate Brackets * | Dimension F |
|-----------------------|---------------------------------|-----------------------------------|--------------|
| 0240 to 1040 | 2 | 0 | - |
| 1120 to 1920 | 2 | 1 | 1000 mm max. |

* The number of brackets required to mount either one of emitter and receiver.

F3SG-RR

Side Mounting



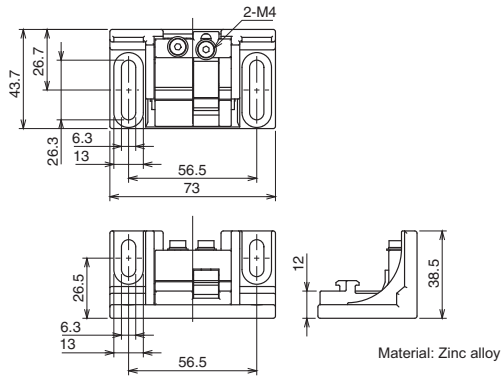
| | | |
|---------------------|---|----|
| Dimension C | 4-digit number of the type name (Protective height) | |
| Dimension D | C-20 | |
| Dimension G | C+39.5+N1+N2 | |
| Dimension H | C+65+N1+N2 | |
| Dimension I | C+84+N1+N2 | |
| Dimension N1 | 0 to 30 | |
| Dimension N2 | 0 to 13 | |
| Dimension P | F3SG-4RR□□□□-14 | 10 |
| | F3SG-4RR□□□□-25 | 20 |

| Protective height (C) | Number of Top/Bottom Brackets * | Number of Intermediate Brackets * | Dimension F |
|-----------------------|---------------------------------|-----------------------------------|--------------|
| 0240 to 1040 | 2 | 0 | — |
| 1120 to 1920 | 2 | 1 | 1000 mm max. |

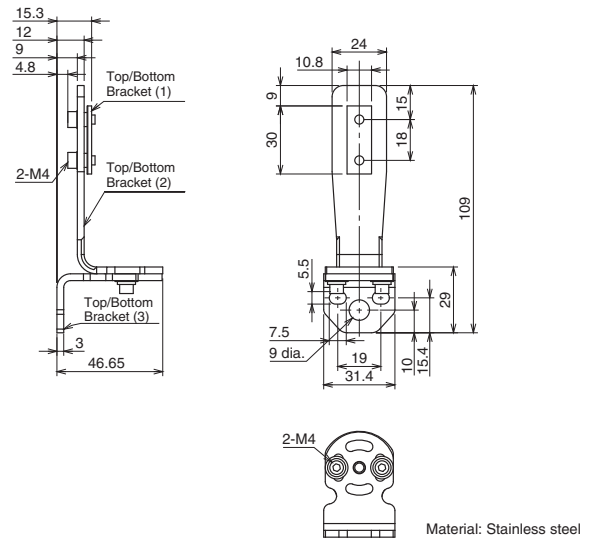
* The number of brackets required to mount either one of emitter and receiver.

Accessories

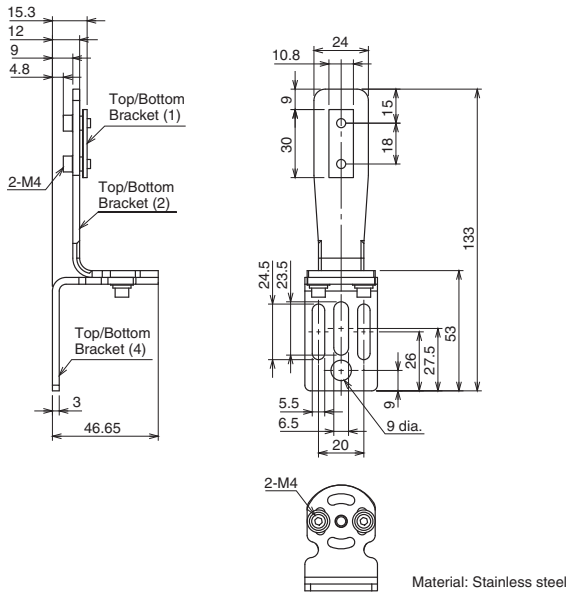
Sensor Mounting Brackets
Free-Location Bracket / Intermediate Bracket
(F39-LGRA, sold separately)



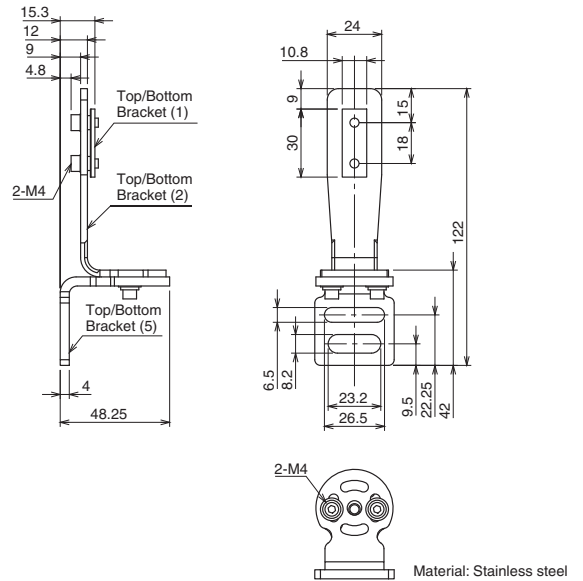
Top/Bottom Bracket
(F39-LGRTB, sold separately)



Top/Bottom Bracket
(F39-LGRTB-2, sold separately)



Top/Bottom Bracket
(F39-LGRTB-3, sold separately)

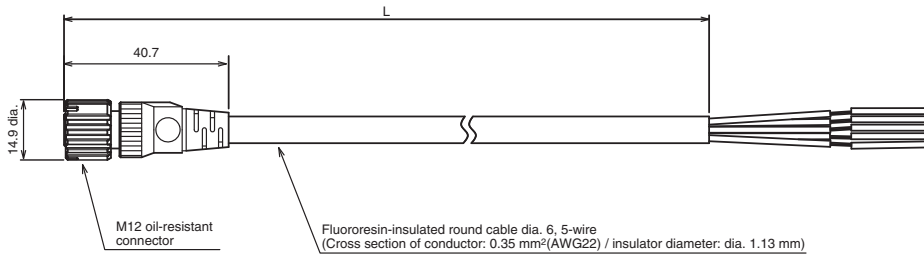


F3SG-RR

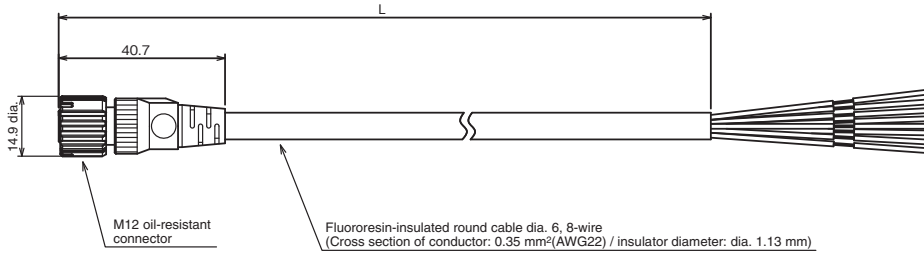
F3SG-RR

Safety light curtain connecting cable

Single-Ended Cable for Emitter (Oil-Resistant Cable) (F39-JD□RA-L, sold separately)

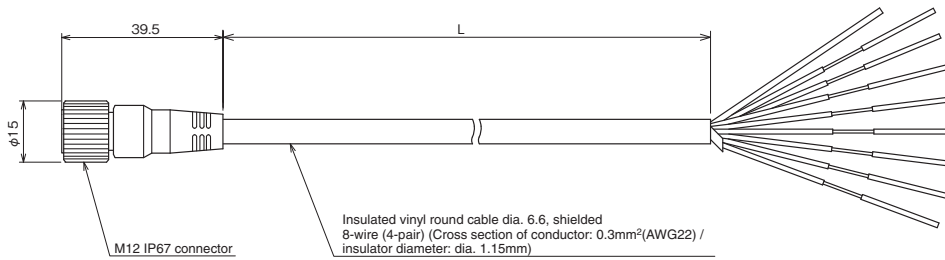


Single-Ended Cable for Receiver (Oil-Resistant Cable) (F39-JD□RA-D, sold separately)

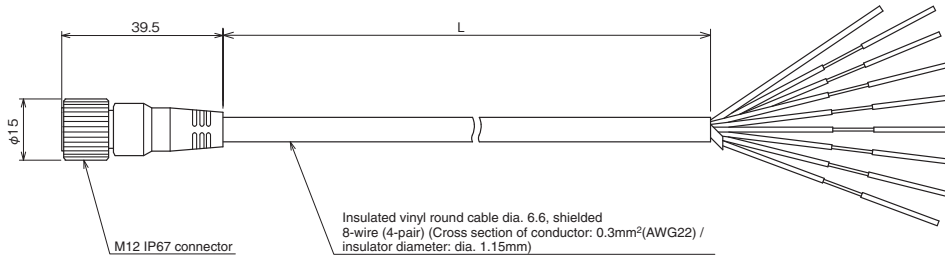


| Emitter cable (Gray) | Receiver cable (Black) | L (m) |
|----------------------|------------------------|-------|
| F39-JD3RA-L | F39-JD3RA-D | 3 |
| F39-JD7RA-L | F39-JD7RA-D | 7 |

Single-Ended Cable for Emitter (F39-JD□A-L, sold separately)

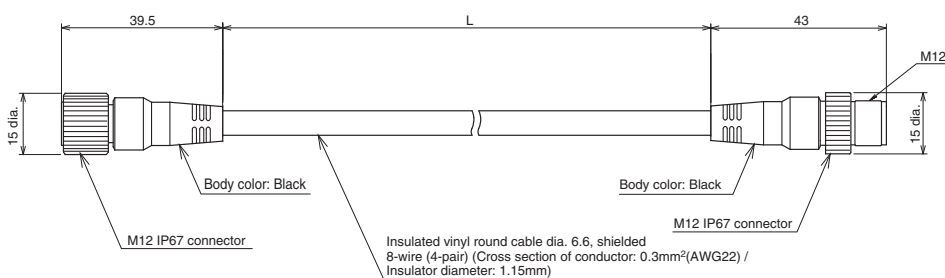


Single-Ended Cable for Receiver (F39-JD□A-D, sold separately)

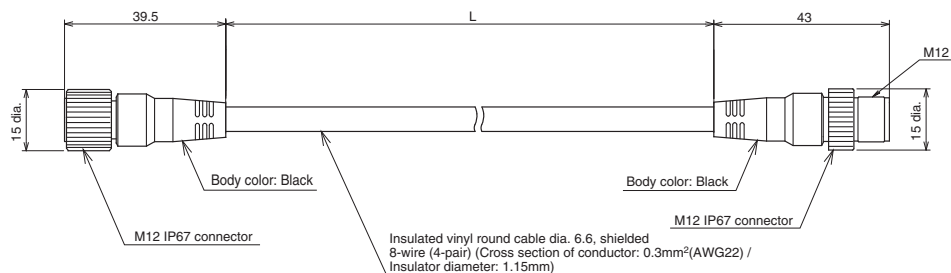


| Emitter cable (Gray) | Receiver cable (Black) | L (m) |
|----------------------|------------------------|-------|
| F39-JD3A-L | F39-JD3A-D | 3 |
| F39-JD7A-L | F39-JD7A-D | 7 |
| F39-JD10A-L | F39-JD10A-D | 10 |
| F39-JD15A-L | F39-JD15A-D | 15 |
| F39-JD20A-L | F39-JD20A-D | 20 |

Double-Ended Cable for Emitter: Cable for extension (F39-JD□B-L, sold separately)

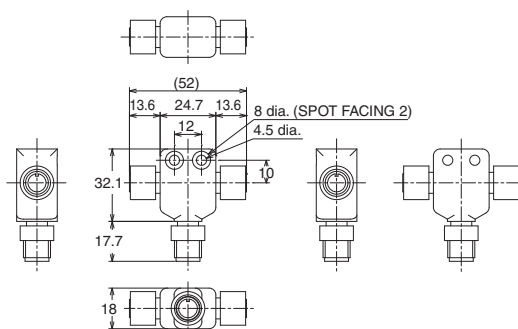


Double-Ended Cable for Receiver: Cable for extension (F39-JD□B-D, sold separately)

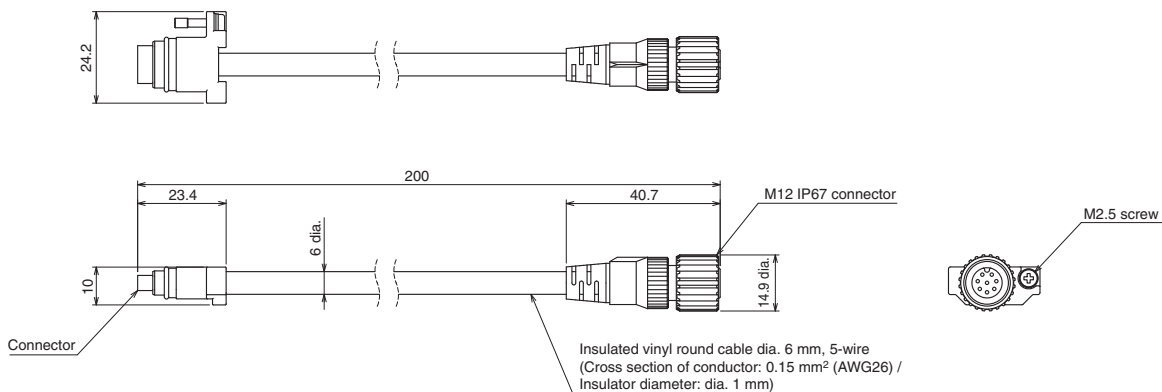


| Emitter cable (Gray) | Receiver cable (Black) | L (m) |
|----------------------|------------------------|-------|
| F39-JDR5B-L | F39-JDR5B-D | 0.5 |
| F39-JD1B-L | F39-JD1B-D | 1 |
| F39-JD3B-L | F39-JD3B-D | 3 |
| F39-JD5B-L | F39-JD5B-D | 5 |
| F39-JD7B-L | F39-JD7B-D | 7 |
| F39-JD10B-L | F39-JD10B-D | 10 |
| F39-JD15B-L | F39-JD15B-D | 15 |
| F39-JD20B-L | F39-JD20B-D | 20 |

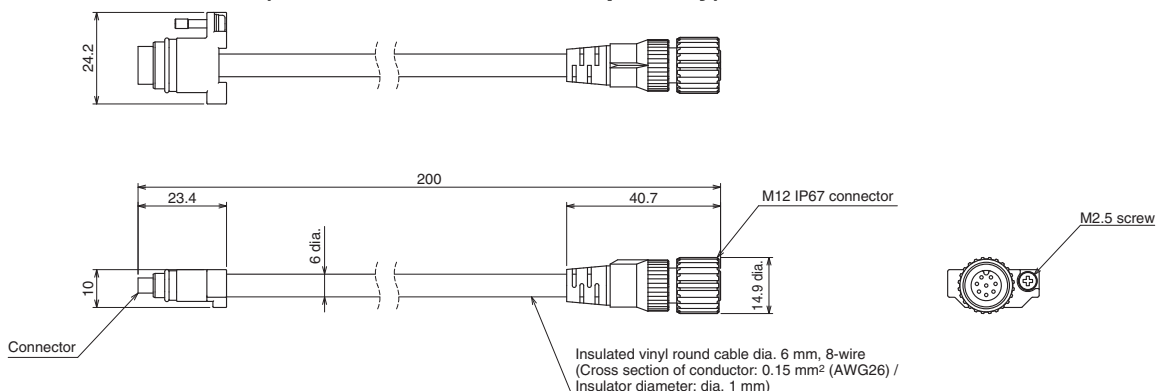
Reduced Wiring Connector (F39-CN5, sold separately)



Cascading Cable for Emitter (F39-JGR2WTS-L, sold separately)



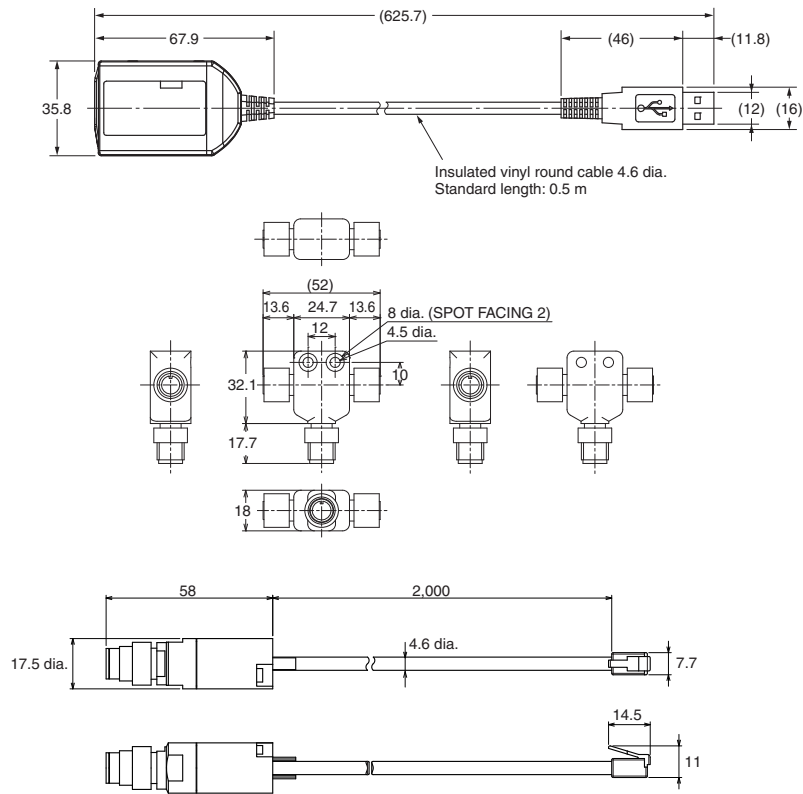
Cascading Cable for Receiver (F39-JGR2WTS-D, sold separately)



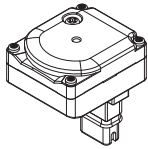
| Set model name | Emitter cable (Gray) | Receiver cable (Black) | L (m) |
|----------------|----------------------|------------------------|-------|
| F39-JGR2WTS | F39-JGR2WTS-L | F39-JGR2WTS-D | 0.2 |

F3SG-RR

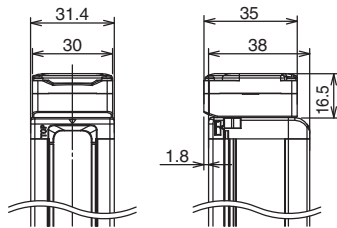
Interface Unit (F39-GIF-1, sold separately)



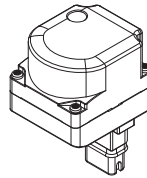
Bluetooth Communication Unit (F39-BT, sold separately)



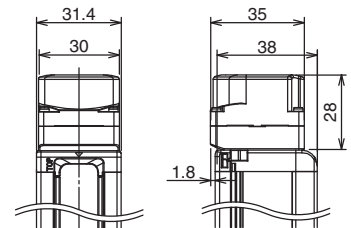
Material: PBT



Lamp and Bluetooth Communication Unit (F39-BTLP, sold separately) Lamp (F39-LP, sold separately)



Material:
PC (Lighting element)
PBT (Other body parts)



Related Manuals

| ManNo. | Model | Manual name |
|--------|--------------------------|--|
| Z383 | F3SG-□RR□□□□□□□□□□□□□□□□ | Safety Light Curtain F3SG-□RR Series User's Manual |

Safety Light Curtain Easy type

F3SG-RE



Easy-to-use Safety Sensor Ideal for Simple On/Off Detection Applications

- Provides simple safety functions - saving TCO by reducing errors
- Simple wiring with only 4 wires
- Fast response time of 5 ms

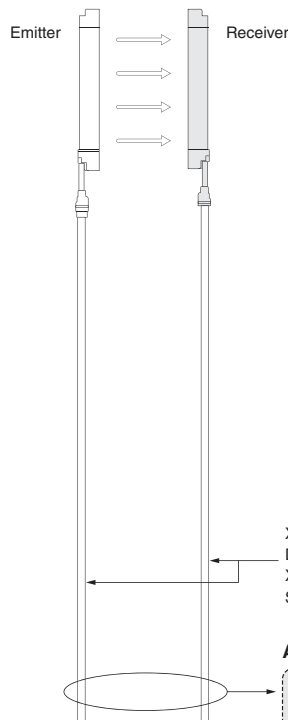


System Configuration

Mounting bracket

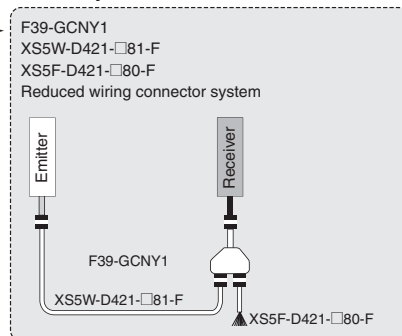


Accessory



XS5W-D421-□81-F
Double-Ended Cable
XS5F-D421-□80-F
Single-Ended Cable
or

Accessory



Recommended safety controller *

NX/NE1A-series
Safety Network Controller

G9SP-series
Safety Controller

G9SE/G9SA-series
Safety Relay Unit

G9SX-series
Flexible Safety Unit

G7SA/G7S-E
Relays with Forcibly
Guided Contacts

* The recommended safety controller is required to build a safety circuit using emergency stop switches and door switches.

Ordering Information

Main Units

Safety Light Curtain

Finger protection

| Number of beams | Protective height (mm) | Model | |
|-----------------|------------------------|-----------------|-----------------|
| | | PNP output | NPN output |
| 15 | 160 | F3SG-4RE0160P14 | F3SG-4RE0160N14 |
| 23 | 240 | F3SG-4RE0240P14 | F3SG-4RE0240N14 |
| 31 | 320 | F3SG-4RE0320P14 | F3SG-4RE0320N14 |
| 39 | 400 | F3SG-4RE0400P14 | F3SG-4RE0400N14 |
| 47 | 480 | F3SG-4RE0480P14 | F3SG-4RE0480N14 |
| 55 | 560 | F3SG-4RE0560P14 | F3SG-4RE0560N14 |
| 63 | 640 | F3SG-4RE0640P14 | F3SG-4RE0640N14 |
| 71 | 720 | F3SG-4RE0720P14 | F3SG-4RE0720N14 |
| 79 | 800 | F3SG-4RE0800P14 | F3SG-4RE0800N14 |
| 87 | 880 | F3SG-4RE0880P14 | F3SG-4RE0880N14 |
| 95 | 960 | F3SG-4RE0960P14 | F3SG-4RE0960N14 |
| 103 | 1,040 | F3SG-4RE1040P14 | F3SG-4RE1040N14 |
| 111 | 1,120 | F3SG-4RE1120P14 | F3SG-4RE1120N14 |
| 119 | 1,200 | F3SG-4RE1200P14 | F3SG-4RE1200N14 |
| 127 | 1,280 | F3SG-4RE1280P14 | F3SG-4RE1280N14 |
| 135 | 1,360 | F3SG-4RE1360P14 | F3SG-4RE1360N14 |
| 143 | 1,440 | F3SG-4RE1440P14 | F3SG-4RE1440N14 |
| 151 | 1,520 | F3SG-4RE1520P14 | F3SG-4RE1520N14 |
| 159 | 1,600 | F3SG-4RE1600P14 | F3SG-4RE1600N14 |
| 167 | 1,680 | F3SG-4RE1680P14 | F3SG-4RE1680N14 |
| 175 | 1,760 | F3SG-4RE1760P14 | F3SG-4RE1760N14 |
| 183 | 1,840 | F3SG-4RE1840P14 | F3SG-4RE1840N14 |
| 191 | 1,920 | F3SG-4RE1920P14 | F3SG-4RE1920N14 |
| 199 | 2,000 | F3SG-4RE2000P14 | F3SG-4RE2000N14 |
| 207 | 2,080 | F3SG-4RE2080P14 | F3SG-4RE2080N14 |



Hand and arm protection

| Number of beams | Protective height (mm) | Model | |
|-----------------|------------------------|-----------------|-----------------|
| | | PNP | NPN |
| 8 | 190 | F3SG-4RE0190P30 | F3SG-4RE0190N30 |
| 12 | 270 | F3SG-4RE0270P30 | F3SG-4RE0270N30 |
| 16 | 350 | F3SG-4RE0350P30 | F3SG-4RE0350N30 |
| 20 | 430 | F3SG-4RE0430P30 | F3SG-4RE0430N30 |
| 24 | 510 | F3SG-4RE0510P30 | F3SG-4RE0510N30 |
| 28 | 590 | F3SG-4RE0590P30 | F3SG-4RE0590N30 |
| 32 | 670 | F3SG-4RE0670P30 | F3SG-4RE0670N30 |
| 36 | 750 | F3SG-4RE0750P30 | F3SG-4RE0750N30 |
| 40 | 830 | F3SG-4RE0830P30 | F3SG-4RE0830N30 |
| 44 | 910 | F3SG-4RE0910P30 | F3SG-4RE0910N30 |
| 48 | 990 | F3SG-4RE0990P30 | F3SG-4RE0990N30 |
| 52 | 1,070 | F3SG-4RE1070P30 | F3SG-4RE1070N30 |
| 56 | 1,150 | F3SG-4RE1150P30 | F3SG-4RE1150N30 |
| 60 | 1,230 | F3SG-4RE1230P30 | F3SG-4RE1230N30 |
| 64 | 1,310 | F3SG-4RE1310P30 | F3SG-4RE1310N30 |
| 68 | 1,390 | F3SG-4RE1390P30 | F3SG-4RE1390N30 |
| 72 | 1,470 | F3SG-4RE1470P30 | F3SG-4RE1470N30 |
| 76 | 1,550 | F3SG-4RE1550P30 | F3SG-4RE1550N30 |
| 80 | 1,630 | F3SG-4RE1630P30 | F3SG-4RE1630N30 |
| 84 | 1,710 | F3SG-4RE1710P30 | F3SG-4RE1710N30 |
| 88 | 1,790 | F3SG-4RE1790P30 | F3SG-4RE1790N30 |
| 92 | 1,870 | F3SG-4RE1870P30 | F3SG-4RE1870N30 |
| 96 | 1,950 | F3SG-4RE1950P30 | F3SG-4RE1950N30 |
| 100 | 2,030 | F3SG-4RE2030P30 | F3SG-4RE2030N30 |
| 104 | 2,110 | F3SG-4RE2110P30 | F3SG-4RE2110N30 |
| 108 | 2,190 | F3SG-4RE2190P30 | F3SG-4RE2190N30 |
| 112 | 2,270 | F3SG-4RE2270P30 | F3SG-4RE2270N30 |
| 116 | 2,350 | F3SG-4RE2350P30 | F3SG-4RE2350N30 |
| 120 | 2,430 | F3SG-4RE2430P30 | F3SG-4RE2430N30 |
| 124 | 2,510 | F3SG-4RE2510P30 | F3SG-4RE2510N30 |

Accessories (Sold separately)


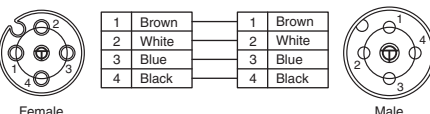
Safety light curtain connecting cable

Single-Ended Cable (Round Water-resistant Connector: Connector Connected to Cable, Socket on One Cable End)

| Appearance | Type | Cable length | Specifications | Model | | | | | | | | | | | | | | | | | | | | |
|---|--------------------------------|--------------|---|---------------|----------|----------|-------|---|---------|---------|-------|---|---------------|--------|-------|---|-------|-------|------|---|----------|--------|-------|-----------------|
|  | M12 connector (4-pin), 4 wires | 1 m |  <table border="1"> <thead> <tr> <th>PIN</th> <th>Emitter</th> <th>Receiver</th> <th>Color</th> </tr> </thead> <tbody> <tr> <td>1</td> <td>+24 VDC</td> <td>+24 VDC</td> <td>Brown</td> </tr> <tr> <td>2</td> <td>Range setting</td> <td>OSSD 2</td> <td>White</td> </tr> <tr> <td>3</td> <td>0 VDC</td> <td>0 VDC</td> <td>Blue</td> </tr> <tr> <td>4</td> <td>Not used</td> <td>OSSD 1</td> <td>Black</td> </tr> </tbody> </table> | PIN | Emitter | Receiver | Color | 1 | +24 VDC | +24 VDC | Brown | 2 | Range setting | OSSD 2 | White | 3 | 0 VDC | 0 VDC | Blue | 4 | Not used | OSSD 1 | Black | XS5F-D421-C80-F |
| | | PIN | | Emitter | Receiver | Color | | | | | | | | | | | | | | | | | | |
| | | 1 | | +24 VDC | +24 VDC | Brown | | | | | | | | | | | | | | | | | | |
| | | 2 | | Range setting | OSSD 2 | White | | | | | | | | | | | | | | | | | | |
| | | 3 | | 0 VDC | 0 VDC | Blue | | | | | | | | | | | | | | | | | | |
| | | 4 | | Not used | OSSD 1 | Black | | | | | | | | | | | | | | | | | | |
| 2 m | XS5F-D421-D80-F | | | | | | | | | | | | | | | | | | | | | | | |
| 3 m | XS5F-D421-E80-F | | | | | | | | | | | | | | | | | | | | | | | |
| 5 m | XS5F-D421-G80-F | | | | | | | | | | | | | | | | | | | | | | | |
| 10 m | XS5F-D421-J80-F | | | | | | | | | | | | | | | | | | | | | | | |
| 20 m | XS5F-D421-L80-F | | | | | | | | | | | | | | | | | | | | | | | |

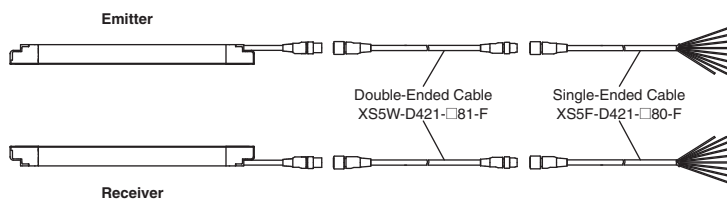
- Note:** 1. One cable that can be used for both emitter and receiver is provided. Order two cables for one set of safety light curtains.
 2. To extend the cable length to 20 m or more, add the XS5W-D421-□81-F Double-Ended Cable.

Double-Ended Cable (Round Water-resistant Connector: Connectors Connected to Cable, Socket and Plug on Cable Ends) For cable extension and simple wiring


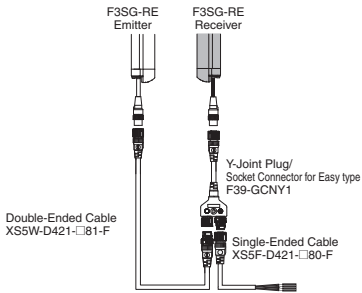
| Appearance | Type | Cable length | Specifications | Model | | | | | | | | | | | | | | | | |
|---|------------------------------------|--------------|--|-----------------|-------|-------|-------|---|-------|---|-------|---|------|---|------|---|-------|---|-------|-----------------|
|  | M12 connector (4-pin) on both ends | 1 m |  <table border="1"> <thead> <tr> <th>1</th> <th>Brown</th> <th>1</th> <th>Brown</th> </tr> </thead> <tbody> <tr> <td>2</td> <td>White</td> <td>2</td> <td>White</td> </tr> <tr> <td>3</td> <td>Blue</td> <td>3</td> <td>Blue</td> </tr> <tr> <td>4</td> <td>Black</td> <td>4</td> <td>Black</td> </tr> </tbody> </table> | 1 | Brown | 1 | Brown | 2 | White | 2 | White | 3 | Blue | 3 | Blue | 4 | Black | 4 | Black | XS5W-D421-C81-F |
| | | 1 | | Brown | 1 | Brown | | | | | | | | | | | | | | |
| | | 2 | | White | 2 | White | | | | | | | | | | | | | | |
| | | 3 | | Blue | 3 | Blue | | | | | | | | | | | | | | |
| | | 4 | | Black | 4 | Black | | | | | | | | | | | | | | |
| | | 2 m | | XS5W-D421-D81-F | | | | | | | | | | | | | | | | |
| 3 m | XS5W-D421-E81-F | | | | | | | | | | | | | | | | | | | |
| 5 m | XS5W-D421-G81-F | | | | | | | | | | | | | | | | | | | |
| 10 m | XS5W-D421-J81-F | | | | | | | | | | | | | | | | | | | |
| 20 m | XS5W-D421-L81-F | | | | | | | | | | | | | | | | | | | |

- Note:** 1. One cable that can be used for both emitter and receiver is provided. Order two cables for one set of safety light curtains.
 2. To extend the cable length to more than 20 m, add the XS5W-D421-□81-F Double-Ended Cable to the XS5F-D421-□80-F Single-Ended Cable.
 To extend the cable length to more than 40 m, add several Double-Ended Cables to the Single-Ended Cable.
 Example: To extend the cable length to 50 m, connect two XS5W-D421-L81-F (20 m) cables and one XS5F-D421-J80-F (10 m) cable.

<Connection example>







Y-Joint Plug/Socket Connector for Easy type F3SG-RE

| Appearance | Type | Cable length | Specifications | Model |
|---|--|--------------|--|-----------|
|  | M12 connectors. Used for reduced wiring. | 0.5 m |  <p>When using the reduced wiring connector system F39-GCNY1, the Operating Range Selection is fixed to Long Mode.</p> | F39-GCNY1 |

F3SG-RE

F3SG-RE

Sensor Mounting Brackets

| Appearance | Specification | Application | Model |
|---|--|--|-------------------|
|  | Standard Fixed Bracket | Bracket to mount the F3SG-R. Side mounting and backside mounting possible. (This is included as a standard accessory with the product. It comes as a set of two Brackets. Refer to note *1 for the number of sets provided with each model.) | F39-LGF |
|  | Standard Adjustable Bracket | Bracket to mount the F3SG-R. Beam alignment after mounting possible. The angle adjustment range is $\pm 15^\circ$. Side mounting and backside mounting possible. (Sold separately as a set of two Brackets. Refer to note *1 for the number of sets required for each model.) | F39-LGA |
|  | Top/Bottom Adjustable Bracket *2 | Bracket to mount the F3SG-R. Use this bracket at the top and bottom positions of the F3SG-R. Beam alignment after mounting possible. The angle adjustment range is $\pm 22.5^\circ$. Side mounting and backside mounting possible. (Sold separately. 4 brackets per set.) | F39-LGTB |
|  | Top/Bottom Adjustable Bracket *2 (For user-made mounting part) | Top/Bottom Adjustable Bracket without a bracket to mount to the wall. Use the user's own wall mounting part to suit the machine. (Sold separately. 4 brackets per set.) | F39-LGTB-1 |

*1. [for F3SG-4RE□□□□□14] Protective height of 0160 to 1200: 2 sets, Protective height of 1280 to 2080: 3 sets [for F3SG-4RE□□□□□30] Protective height of 0190 to 1230: 2 sets, Protective height of 1310 to 2270: 3 sets, Protective height of 2350 to 2510: 4 sets

*2. Top/Bottom Adjustable Bracket cannot be used with the Standard Fixed Bracket. Use with the Standard Adjustable Bracket.

Using Top/Bottom Adjustable Brackets with Standard Adjustable Brackets

F3SG-4RE□□□□□14: Protective height of 1040 or less: The Standard Adjustable Bracket is not required. Please purchase 1 set of Top/Bottom Adjustable Brackets (F39-LGTB(-1)).

Protective height of 1120 to 1920: Please purchase 1 set of Top/Bottom Adjustable Brackets (F39-LGTB(-1)) and 1 set of Standard Adjustable Brackets (F39-LGA).


Protective height of 2000 to 2080: Please purchase 1 set of Top/Bottom Adjustable Brackets (F39-LGTB(-1)) and 2 sets of Standard Adjustable Brackets (F39-LGA).

F3SG-4RE□□□□□30: Protective height of 1070 or less: The Standard Adjustable Bracket is not required. Please purchase 1 set of Top/Bottom Adjustable Brackets (F39-LGTB(-1)).

Protective height of 1150 to 1950: Please purchase 1 set of Top/Bottom Adjustable Brackets (F39-LGTB(-1)) and 1 set of Standard Adjustable Brackets (F39-LGA).

Protective height of 2030 to 2510: Please purchase 1 set of Top/Bottom Adjustable Brackets (F39-LGTB(-1)) and 2 sets of Standard Adjustable Brackets (F39-LGA).


Laser Pointer for F3SG-R

| Appearance | Specifications | Model |
|---|--|----------------|
|  | The laser pointer is attached on the optical surface of the F3SG-R to help coarse adjustment of beams. | F39-PTG |

Spatter Protection Cover (2 covers per set, one for emitter and one for receiver)

Spatter Protection Covers include the mounting brackets.

For Safety Light Curtain models of the protective height of 2,000 mm or longer, use two Spatter Protection Covers of different lengths.

| Appearance | Safety Light Curtain Model | | Model |
|---|----------------------------|-------------------------|-------------|
| | Finger protection | Hand and arm protection | |
|  | F3SG-4RE0160□14 | F3SG-4RE0190□30 | F39-HGB0180 |
| | F3SG-4RE0240□14 | F3SG-4RE0270□30 | F39-HGB0260 |
| | F3SG-4RE0320□14 | F3SG-4RE0350□30 | F39-HGB0340 |
| | F3SG-4RE0400□14 | F3SG-4RE0430□30 | F39-HGB0420 |
| | F3SG-4RE0480□14 | F3SG-4RE0510□30 | F39-HGB0500 |
| | F3SG-4RE0560□14 | F3SG-4RE0590□30 | F39-HGB0580 |
| | F3SG-4RE0640□14 | F3SG-4RE0670□30 | F39-HGB0660 |
| | F3SG-4RE0720□14 | F3SG-4RE0750□30 | F39-HGB0740 |
| | F3SG-4RE0800□14 | F3SG-4RE0830□30 | F39-HGB0820 |
| | F3SG-4RE0880□14 | F3SG-4RE0910□30 | F39-HGB0900 |
| | F3SG-4RE0960□14 | F3SG-4RE0990□30 | F39-HGB0980 |
| | F3SG-4RE1040□14 | F3SG-4RE1070□30 | F39-HGB1060 |
| | F3SG-4RE1120□14 | F3SG-4RE1150□30 | F39-HGB1140 |
| | F3SG-4RE1200□14 | F3SG-4RE1230□30 | F39-HGB1220 |
| | F3SG-4RE1280□14 | F3SG-4RE1310□30 | F39-HGB1300 |
| | F3SG-4RE1360□14 | F3SG-4RE1390□30 | F39-HGB1380 |
| | F3SG-4RE1440□14 | F3SG-4RE1470□30 | F39-HGB1460 |
| | F3SG-4RE1520□14 | F3SG-4RE1550□30 | F39-HGB1540 |
| | F3SG-4RE1600□14 | F3SG-4RE1630□30 | F39-HGB1620 |
| | F3SG-4RE1680□14 | F3SG-4RE1710□30 | F39-HGB1700 |
| | F3SG-4RE1760□14 | F3SG-4RE1790□30 | F39-HGB1780 |
| | F3SG-4RE1840□14 | F3SG-4RE1870□30 | F39-HGB1860 |
| | F3SG-4RE1920□14 | F3SG-4RE1950□30 | F39-HGB1940 |
| | F3SG-4RE2000□14 | F3SG-4RE2030□30 | F39-HGB1460 |
| | | | F39-HGA0550 |
| | F3SG-4RE2080□14 | F3SG-4RE2110□30 | F39-HGB1540 |
| | | | F39-HGA0550 |
| | - | F3SG-4RE2190□30 | F39-HGB1620 |
| | | | F39-HGA0550 |
| | - | F3SG-4RE2270□30 | F39-HGB1700 |
| | | | F39-HGA0550 |
| | - | F3SG-4RE2350□30 | F39-HGB1780 |
| F39-HGA0550 | | | |
| - | F3SG-4RE2430□30 | F39-HGB1860 | |
| | | F39-HGA0550 | |
| - | F3SG-4RE2510□30 | F39-HGB1940 | |
| | | F39-HGA0550 | |

Note: The operating range of the Safety Light Curtain attached with the product is 10% shorter than the rating.

Test Rod

| Diameter | Model |
|------------|-----------|
| 14 mm dia. | F39-TRD14 |
| 30 mm dia. | F39-TRD30 |

Ratings/Specifications

Main unit

The □□□□ in the model names indicate the protective heights in millimeters.

| | | F3SG-4RE□□□□-14, F3SG-2RE□□□□-14 | F3SG-4RE□□□□-30, F3SG-2RE□□□□-30 | |
|-------------|---|---|---|-----------------------------|
| Performance | Type of ESPE (IEC 61496-1) | Type 4 F3SG-4RE□□□□14/30 | Type 2 F3SG-2RE□□□□14/30 | |
| | Object Resolution (Detection Capability) | Opaque objects 14-mm dia. | | |
| | Beam Gap | 10mm | 30-mm dia. | |
| | Number of Beams | 15 to 207 | 20mm | |
| | Lens Size | 5.2 x3.4 (WxH) mm | 8 to 124 | |
| | Protective Height | 160 to 2080 mm (6.3 to 81.9 inch) | 7-mm dia. | |
| | Operating Range | Long | 0.3 to 10.0 m (1 to 32 ft.) | 0.3 to 20.0 m (1 to 65 ft.) |
| | | Short | 0.3 to 3.0 m (1 to 10 ft.) | 0.3 to 7.0 m (1 to 23 ft.) |
| | Response Time | ON to OFF | 5 to 15ms *1 | |
| | | OFF to ON | 25 to 75ms *1 | |
| | *1.Response time when used in one segment system Refer to page 79. | | | |
| | Effective Aperture Angle (EAA) (IEC61496-2) | Type 4 | ±2.5° max., emitter and receiver at operating range of 3 m or greater | |
| Type 2 | | ±5.0° max., emitter and receiver at operating range of 3 m or greater | | |

F3SG-RE

| | | F3SG-4RE□□□□-14, F3SG-2RE□□□□-14 | F3SG-4RE□□□□-30, F3SG-2RE□□□□-30 | |
|---|---|---|---|--|
| Performance | Light Source | Infrared LEDs, Wavelength: 870 nm | | |
| | Startup Waiting Time | 2 s max. | | |
| Electrical | Power Supply Voltage (Vs) | SELV/PELV 24 VDC±20% (ripple p-p 10% max.) | | |
| | Current Consumption | Refer to page 79 | | |
| | Safety Outputs (OSSD) | F3SG-□RE□□□□P□□: Two PNP transistor outputs F3SG-□RE□□□□N□□: Two NPN transistor outputs | | |
| | | Load current of 300 mA max., Residual voltage of 2 V max. (except for voltage drop due to cable extension), Capacitive load of 1 μF max., Inductive load of 2.2 H max. *1 Leakage current of 1 mA max. (PNP), 2 mA max. (NPN) *2 | | |
| | | *1.The load inductance is the maximum value when the safety output frequently repeats ON and OFF. When you use the safety output at 4 Hz or less, the usable load inductance becomes larger. *2.These values must be taken into consideration when connecting elements including a capacitive load such as a capacitor. | | |
| | Output Operation Mode | Safety Output | Light-ON (Safety output is enabled when the receiver receives an emitting signal.) | |
| | Input Voltage | ON Voltage | Operating Range Select Input: Long: 9 V to Vs (sink current 3 mA max.) * Short: 0 to 3 V (source current 3 mA max.) | |
| | | OFF Voltage | | |
| | | * The Vs indicates a supply voltage value in your environment. | | |
| | Overvoltage Category (IEC60664-1) | II | | |
| Indicators | Refer to page 80 | | | |
| Protective Circuit | Output short protection, Power supply reverse polarity protection | | | |
| Insulation Resistance | 20 MΩ or higher (500 VDC megger) | | | |
| Dielectric Strength | 1,000 VAC, 50/60 Hz (1 min) | | | |
| Functional | Test Function | Self-test (at power-on, and during operation) | | |
| Environmental | Ambient Temperature | Operating | -10 to 55°C (14 to 131°F) (non-icing) | |
| | | Storage | -25 to 70°C (-13 to 158°F) | |
| | Ambient Humidity | Operating | 35% to 85% (non-condensing) | |
| | | Storage | 35% to 95% | |
| | Ambient Illuminance | Incandescent lamp: 3,000 lx max. on receiver surface Sunlight: 10,000 lx max. on receiver surface | | |
| | Degree of Protection (IEC 60529) | IP65 and IP67 | | |
| | Vibration Resistance (IEC 61496-1) | 10 to 55 Hz, Multiple amplitude of 0.7 mm, 20 sweeps for all 3 axes | | |
| | Shock Resistance (IEC 61496-1) | 100 m/s ² , 1000 shocks for all 3 axes | | |
| | Pollution Degree (IEC 60664-1) | Pollution Degree 3 | | |
| | Connections | Power cable | Type of Connection | M12 connectors: 4-pin, IP67 rated when mated, Cables prewired to the sensors |
| Number of Wires | | | Emitter: 4, Receiver: 4 | |
| Cable Length | | | 0.3 m | |
| Cable Diameter | | | 6 mm | |
| Minimum Bending Radius | | | R5 mm | |
| Extension cable - Single-Ended Cable - Double-Ended Cable | | Type of Connection | Use the XS5□-D42□ series cables. | |
| | | Number of Wires | | |
| | | Cable Length | | |
| | | Cable Diameter | | |
| | | Minimum Bending Radius | | |
| Extension of Power Cable | 100 m max. | | | |
| Material | Material | Housing: Aluminum alloy Cap: PBT resin Front window: Acrylic resin Cable: Oil-resistant PVC resin Standard Fixed Bracket (F39-LGF): Zinc alloy FE plate: Stainless steel | | |
| | Weight | Refer to page 79. | | |
| | Included Accessories | Safety Precautions, Quick Installation Manual, Standard Fixed Bracket*1, Troubleshooting Guide Sticker *1.The quantity of Standard Fixed Brackets included varies depending on the protective height. [F3SG-□RE□□□□14] - Protective height of 0160 to 1200: 2 sets - Protective height of 1280 to 2080: 3 sets [F3SG-□RE□□□□30] - Protective height of 0190 to 1230: 2 sets - Protective height of 1310 to 2270: 3 sets - Protective height of 2350 to 2510: 4 sets | | |
| Conformity | Conforming standards | Refer to page 26 | | |
| | Performance Level (PL)/Safety category | Type 4 | PL e/Category 4 (EN ISO 13849-1:2015) | |
| | | Type 2 | PL c/Category 2 (EN ISO 13849-1:2015) | |
| | PFH _D | 9.1 × 10 ⁻⁹ (IEC 61508) | | |
| | Proof test interval T _M | Every 20 years (IEC 61508) | | |
| | SFF | 99% (IEC 61508) | | |
| | HFT | 1 (IEC 61508) | | |
| Classification | Type B (IEC 61508-2) | | | |

List of Models/Response Time/Current Consumption/Weight

F3SG-□RE□□□□□-14

| Model | Number of Beams | Protective Height [mm] | Response Time [ms] *1 | | | Current Consumption [mA] | | Weight [kg] | |
|-----------------|-----------------|------------------------|-----------------------|------------------------|----------------------------|--------------------------|----------|-------------|----------|
| | | | ON→OFF | OFF (Synchronized) →ON | OFF (Not synchronized) →ON | Emitter | Receiver | Net *2 | Gross *3 |
| F3SG-□RE0160□14 | 15 | 160 | 5 | 25 | 125 | 45 | 50 | 0.6 | 1.9 |
| F3SG-□RE0240□14 | 23 | 240 | 5 | 25 | 125 | 55 | 55 | 0.8 | 2.2 |
| F3SG-□RE0320□14 | 31 | 320 | 7 | 35 | 135 | 55 | 55 | 1.0 | 2.5 |
| F3SG-□RE0400□14 | 39 | 400 | 7 | 35 | 135 | 65 | 60 | 1.2 | 2.9 |
| F3SG-□RE0480□14 | 47 | 480 | 7 | 35 | 135 | 70 | 60 | 1.4 | 3.2 |
| F3SG-□RE0560□14 | 55 | 560 | 7 | 35 | 135 | 80 | 60 | 1.6 | 3.5 |
| F3SG-□RE0640□14 | 63 | 640 | 7 | 35 | 135 | 85 | 65 | 1.9 | 3.8 |
| F3SG-□RE0720□14 | 71 | 720 | 9 | 45 | 145 | 80 | 65 | 2.1 | 4.1 |
| F3SG-□RE0800□14 | 79 | 800 | 9 | 45 | 145 | 85 | 70 | 2.3 | 4.4 |
| F3SG-□RE0880□14 | 87 | 880 | 9 | 45 | 145 | 90 | 70 | 2.5 | 4.7 |
| F3SG-□RE0960□14 | 95 | 960 | 9 | 45 | 145 | 95 | 75 | 2.7 | 5.0 |
| F3SG-□RE1040□14 | 103 | 1040 | 9 | 45 | 145 | 100 | 75 | 2.9 | 5.4 |
| F3SG-□RE1120□14 | 111 | 1120 | 11 | 55 | 155 | 90 | 75 | 3.1 | 5.7 |
| F3SG-□RE1200□14 | 119 | 1200 | 11 | 55 | 155 | 95 | 80 | 3.3 | 6.0 |
| F3SG-□RE1280□14 | 127 | 1280 | 11 | 55 | 155 | 100 | 80 | 3.5 | 6.3 |
| F3SG-□RE1360□14 | 135 | 1360 | 11 | 55 | 155 | 105 | 85 | 3.7 | 6.6 |
| F3SG-□RE1440□14 | 143 | 1440 | 11 | 55 | 155 | 110 | 85 | 3.9 | 6.9 |
| F3SG-□RE1520□14 | 151 | 1520 | 13 | 65 | 165 | 100 | 90 | 4.1 | 7.2 |
| F3SG-□RE1600□14 | 159 | 1600 | 13 | 65 | 165 | 105 | 90 | 4.4 | 7.5 |
| F3SG-□RE1680□14 | 167 | 1680 | 13 | 65 | 165 | 110 | 95 | 4.6 | 7.9 |
| F3SG-□RE1760□14 | 175 | 1760 | 13 | 65 | 165 | 115 | 95 | 4.8 | 8.2 |
| F3SG-□RE1840□14 | 183 | 1840 | 13 | 65 | 165 | 115 | 95 | 5.0 | 8.5 |
| F3SG-□RE1920□14 | 191 | 1920 | 15 | 75 | 175 | 110 | 100 | 5.2 | 8.8 |
| F3SG-□RE2000□14 | 199 | 2000 | 15 | 75 | 175 | 115 | 100 | 5.4 | 9.1 |
| F3SG-□RE2080□14 | 207 | 2080 | 15 | 75 | 175 | 115 | 105 | 5.6 | 9.4 |

*1. The maximum speed of movement of a test rod up to which the detection capability is maintained is 2.0 m/s.

*2. The net weight is the weight of an emitter and a receiver.

*3. The gross weight is the weight of an emitter, a receiver, included accessories and a package.

F3SG-□RE□□□□□30

| Model | Number of Beams | Protective Height [mm] | Response Time [ms] *1 | | | Current Consumption [mA] | | Weight [kg] | |
|-----------------|-----------------|------------------------|-----------------------|------------------------|----------------------------|--------------------------|----------|-------------|----------|
| | | | ON→OFF | OFF (Synchronized) →ON | OFF (Not synchronized) →ON | Emitter | Receiver | Net *2 | Gross *3 |
| F3SG-□RE0190□30 | 8 | 190 | 5 | 25 | 125 | 40 | 50 | 0.6 | 2.0 |
| F3SG-□RE0270□30 | 12 | 270 | 5 | 25 | 125 | 45 | 50 | 0.8 | 2.3 |
| F3SG-□RE0350□30 | 16 | 350 | 5 | 25 | 125 | 50 | 50 | 1.0 | 2.6 |
| F3SG-□RE0430□30 | 20 | 430 | 5 | 25 | 125 | 55 | 55 | 1.2 | 2.9 |
| F3SG-□RE0510□30 | 24 | 510 | 5 | 25 | 125 | 60 | 55 | 1.4 | 3.2 |
| F3SG-□RE0590□30 | 28 | 590 | 7 | 35 | 135 | 50 | 55 | 1.6 | 3.5 |
| F3SG-□RE0670□30 | 32 | 670 | 7 | 35 | 135 | 55 | 55 | 1.8 | 3.8 |
| F3SG-□RE0750□30 | 36 | 750 | 7 | 35 | 135 | 60 | 60 | 2.0 | 4.1 |
| F3SG-□RE0830□30 | 40 | 830 | 7 | 35 | 135 | 65 | 60 | 2.2 | 4.4 |
| F3SG-□RE0910□30 | 44 | 910 | 7 | 35 | 135 | 65 | 60 | 2.4 | 4.7 |
| F3SG-□RE0990□30 | 48 | 990 | 7 | 35 | 135 | 70 | 60 | 2.6 | 5.0 |
| F3SG-□RE1070□30 | 52 | 1070 | 7 | 35 | 135 | 75 | 60 | 2.8 | 5.3 |
| F3SG-□RE1150□30 | 56 | 1150 | 7 | 35 | 135 | 80 | 65 | 3.0 | 5.6 |
| F3SG-□RE1230□30 | 60 | 1230 | 7 | 35 | 135 | 85 | 65 | 3.3 | 5.9 |
| F3SG-□RE1310□30 | 64 | 1310 | 7 | 35 | 135 | 85 | 65 | 3.5 | 6.2 |
| F3SG-□RE1390□30 | 68 | 1390 | 9 | 45 | 145 | 75 | 65 | 3.7 | 6.5 |
| F3SG-□RE1470□30 | 72 | 1470 | 9 | 45 | 145 | 80 | 65 | 3.9 | 6.8 |
| F3SG-□RE1550□30 | 76 | 1550 | 9 | 45 | 145 | 80 | 70 | 4.1 | 7.1 |
| F3SG-□RE1630□30 | 80 | 1630 | 9 | 45 | 145 | 85 | 70 | 4.3 | 7.4 |
| F3SG-□RE1710□30 | 84 | 1710 | 9 | 45 | 145 | 85 | 70 | 4.5 | 7.7 |
| F3SG-□RE1790□30 | 88 | 1790 | 9 | 45 | 145 | 90 | 70 | 4.7 | 8.0 |
| F3SG-□RE1870□30 | 92 | 1870 | 9 | 45 | 145 | 95 | 75 | 4.9 | 8.3 |
| F3SG-□RE1950□30 | 96 | 1950 | 9 | 45 | 145 | 95 | 75 | 5.1 | 8.6 |
| F3SG-□RE2030□30 | 100 | 2030 | 9 | 45 | 145 | 100 | 75 | 5.3 | 8.9 |
| F3SG-□RE2110□30 | 104 | 2110 | 9 | 45 | 145 | 100 | 75 | 5.5 | 9.2 |
| F3SG-□RE2190□30 | 108 | 2190 | 11 | 55 | 155 | 90 | 75 | 5.7 | 9.5 |
| F3SG-□RE2270□30 | 112 | 2270 | 11 | 55 | 155 | 95 | 80 | 5.9 | 9.8 |
| F3SG-□RE2350□30 | 116 | 2350 | 11 | 55 | 155 | 95 | 80 | 6.1 | 10.1 |
| F3SG-□RE2430□30 | 120 | 2430 | 11 | 55 | 155 | 95 | 80 | 6.3 | 10.4 |
| F3SG-□RE2510□30 | 124 | 2510 | 11 | 55 | 155 | 100 | 80 | 6.5 | 10.7 |

*1. The maximum speed of movement of a test rod up to which the detection capability is maintained is 2.0 m/s.

*2. The net weight is the weight of an emitter and a receiver.

*3. The gross weight is the weight of an emitter, a receiver, included accessories and a package.

F3SG-RE

LED Indicator Status

Emitter

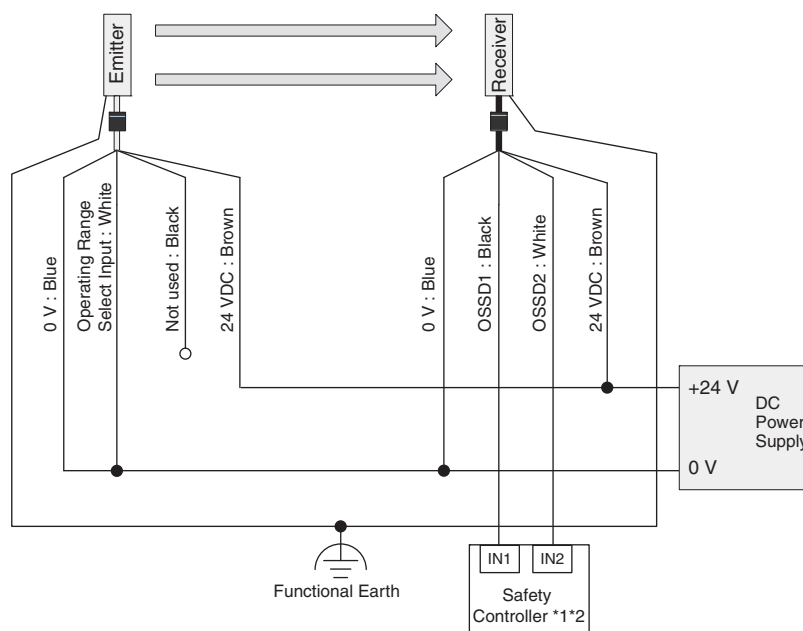
| Name of Indicator | | Color | Illuminated | Blinking |
|-------------------|---------|-------|-----------------------------|--|
| Operating range | LONG | Green | Long range mode is selected | Lockout state due to Operating range selection setting error |
| Power | POWER | Green | Power is ON. | Error due to noise |
| Lockout | LOCKOUT | Red | – | Lockout state due to error in emitter |

Receiver

| Name of Indicator | | Color | Illuminated | Blinking |
|-------------------|----------|-------|--|--|
| Top-beam-state | TOP | Blue | The top beam is unblocked | – |
| Internal error | INTERNAL | Red | – | Lockout state due to Internal error, or error due to abnormal power supply or noise |
| Lockout | LOCKOUT | Red | – | Lockout state due to error in receiver |
| Stable-state | STB | Green | Incident light level is 170% or higher of ON threshold | Safety output is instantaneously turned OFF due to ambient light or vibration |
| ON/OFF | ON/OFF | Green | Safety output is in ON state | – |
| | | Red | Safety output is in OFF state | Lockout state due to Safety Output error, or error due to abnormal power supply or noise |
| Communication | COM | Green | Synchronization between emitter and receiver is maintained | Lockout state due to Communication error, or error due to abnormal power supply or noise |
| Bottom-beam-state | BTM | Blue | The bottom beam is unblocked | – |

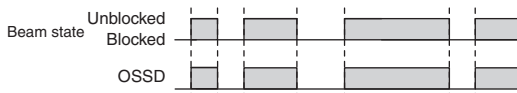
Connections (Basic Wiring Diagram)

Short Mode



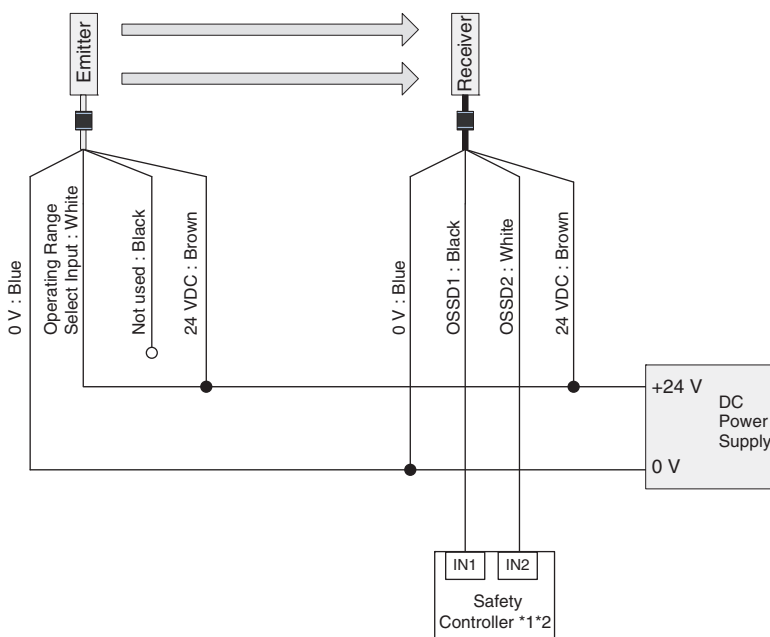
*1.Refer to page 82 for more information.

*2.The safety controller and the F3SG-RE must share the power supply or be connected to the common terminal of the power supply.



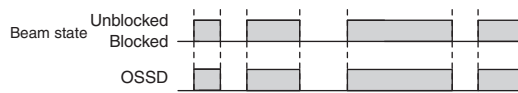
Note: Functional earth connection is unnecessary when you use the F3SG-RE in a general industrial environment where noise control or stable power supply is considered. However, when you use the F3SG-RE in an environment where there may be excessive noise from surroundings or stable power supply may be interfered, it is recommended the F3SG-RE be connected to functional earth. The wiring examples in later examples do not indicate functional earth. To use functional earth, wire an earth cable according to the example above. Refer to *Safety Light Curtain F3SG-R Series User's Manual* for more information.

Long Mode



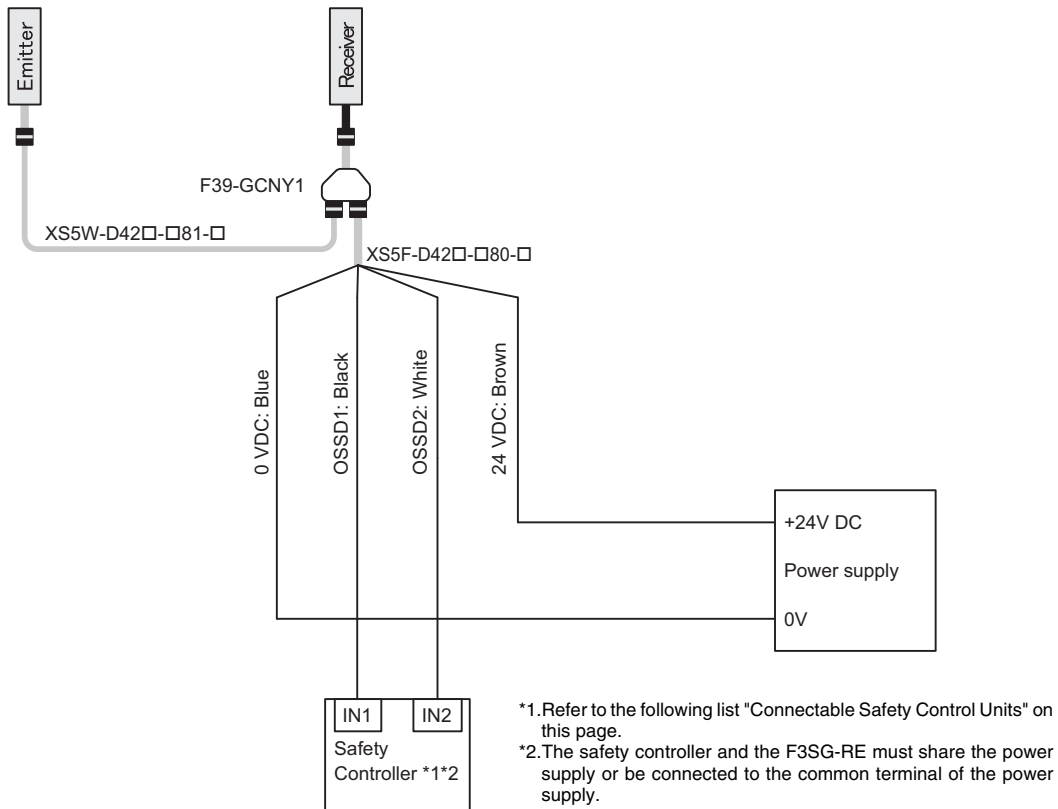
*1.Refer to page 82 for more information.

*2.The safety controller and the F3SG-RE must share the power supply or be connected to the common terminal of the power supply.



Note: For the functional earth connection, refer to the Short Mode example.

Standalone F3SG-RE with Y-Joint Plug/Socket Connector



- Note:** 1. When using the reduced wiring connector system F39-GCNY1, the Operating Range Selection is fixed to Long Mode.
 2. For the functional earth connection, refer to the Short Mode example.

Connectable Safety Control Units

The F3SG-RE with PNP output can be connected to the safety control units listed in the table below.

| Connectable Safety Control Units (PNP output) | | |
|--|---|--|
| Safety Relay Units | Flexible Safety Units | Safety Controllers |
| G9SA-301 G9SA-321-T□ G9SA-501 G9SB-200-B G9SB-200-D G9SB-301-B G9SB-301-D G9SE-201 G9SE-401 G9SE-221-T□ | G9SX-AD322-T G9SX-ADA222-T G9SX-BC202 G9SX-GS226-T15 | G9SP-N10S G9SP-N10D G9SP-N20S NE0A-SCPU01 NE1A-SCPU01 NE1A-SCPU02 DST1-ID12SL-1 DST1-MD16SL-1 DST1-MRD08SL-1 NX-SIH400 NX-SID800 F3SP-T01 |

The F3SG-R with NPN output can be connected to the safety control units listed in the table below.

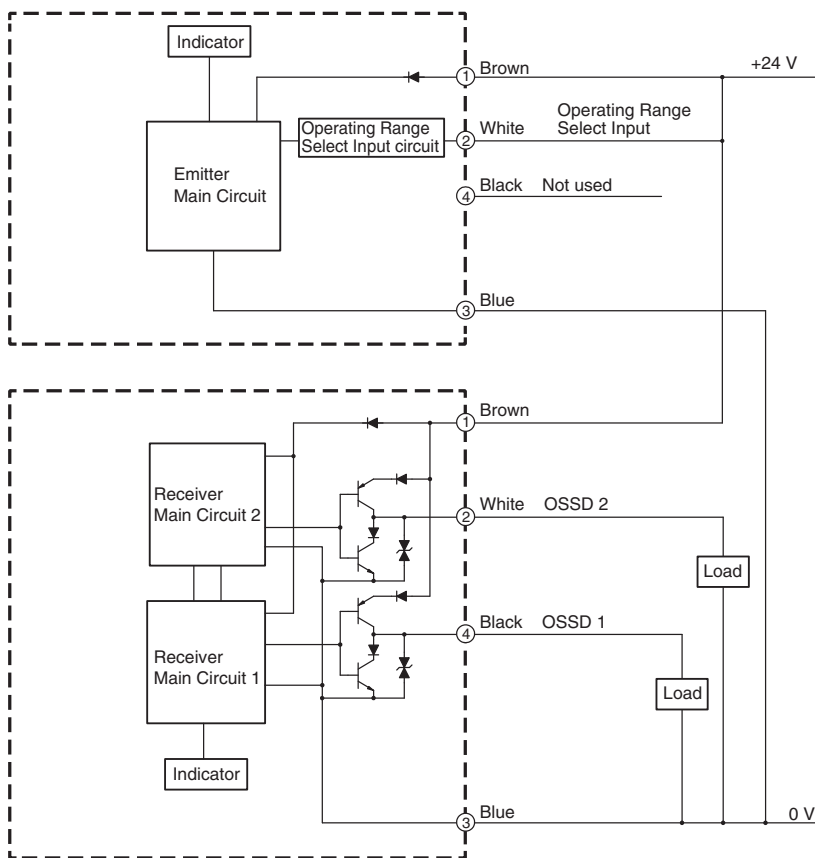
| Connectable Safety Control Units (NPN output) |
|---|
| Safety Relay Units |
| G9SA-301-P |

Input/Output Circuit

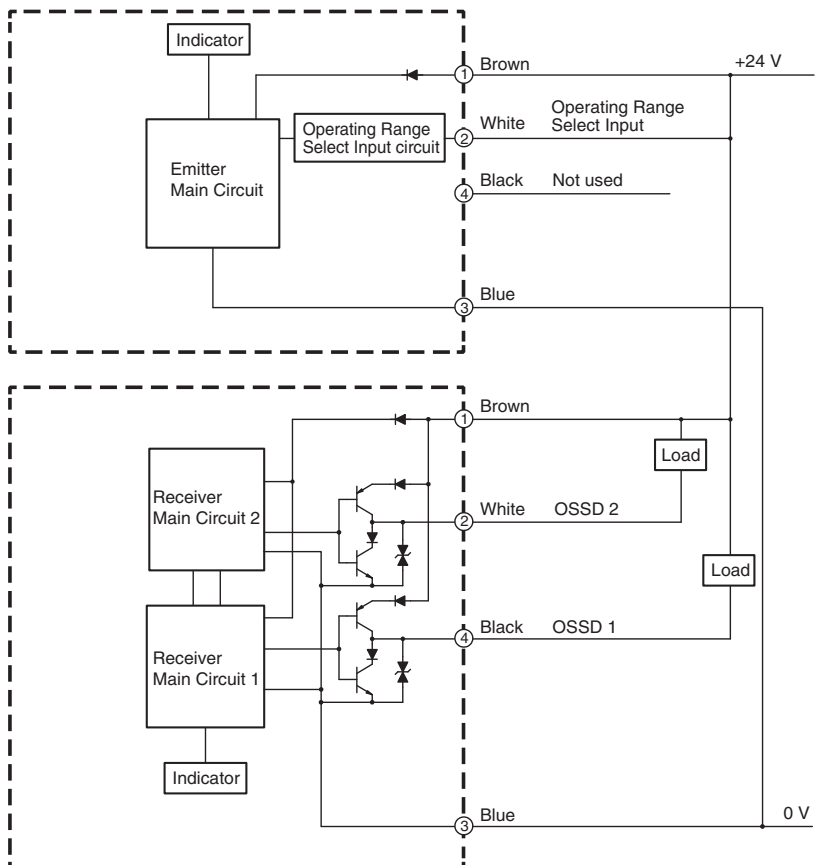
Entire Circuit Diagram

The entire circuit diagram of the F3SG-RE is shown below. The numbers in the circles indicate the connector's pin numbers.

PNP Output



NPN Output



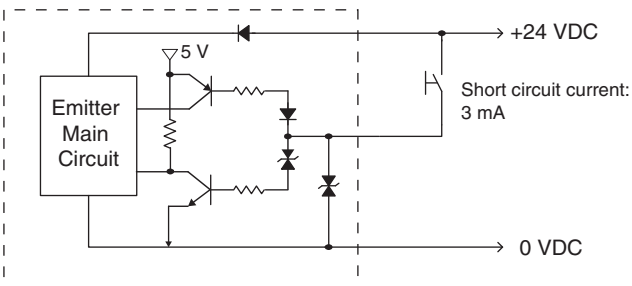
F3SG-RE

Input Circuit Diagram by Function

The input circuit diagrams of by function are shown below.

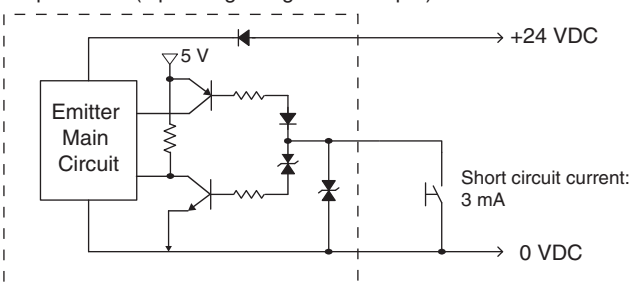
PNP Output

<Input circuit (Operating Range Select Input)>



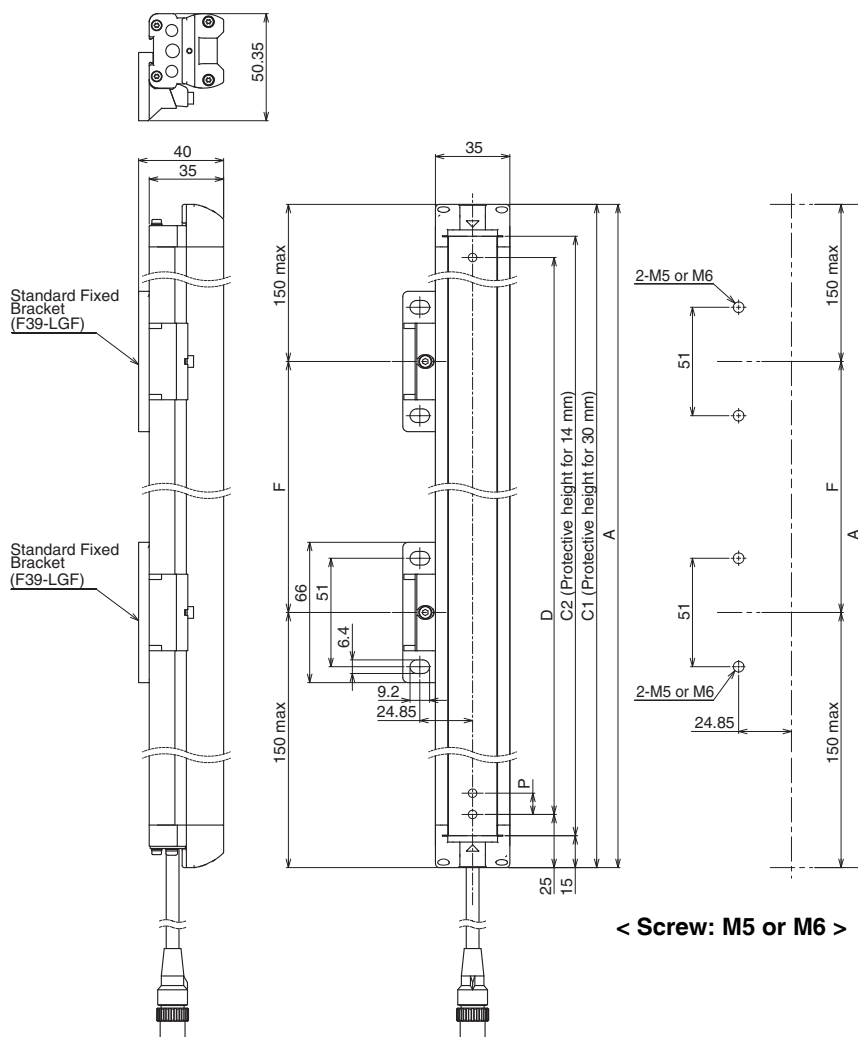
NPN Output

<Input circuit (Operating Range Select Input)>



Dimensions

Mounted with Standard Fixed Brackets (F39-LGF)
Backside Mounting



F3SG-4RE□□□□30 Series

| | |
|--------------|--|
| Dimension A | C1 |
| Dimension C1 | 4-digit number of the type name(Protective height) |
| Dimension D | C1-50 |
| Dimension P | 20 |

| Protective height (C1) | Number of Standard Fixed Brackets *1 | Dimension F |
|------------------------|--------------------------------------|--------------|
| 0190 to 1230 | 2 *2 | 1000 mm max. |
| 1310 to 2270 | 3 | 1000 mm max. |
| 2350 to 2510 | 4 | 1000 mm max. |

F3SG-4RE□□□□14 Series

| | |
|--------------|--|
| Dimension A | C2+30 |
| Dimension C2 | 4-digit number of the type name(Protective height) |
| Dimension D | C2-20 |
| Dimension P | 10 |

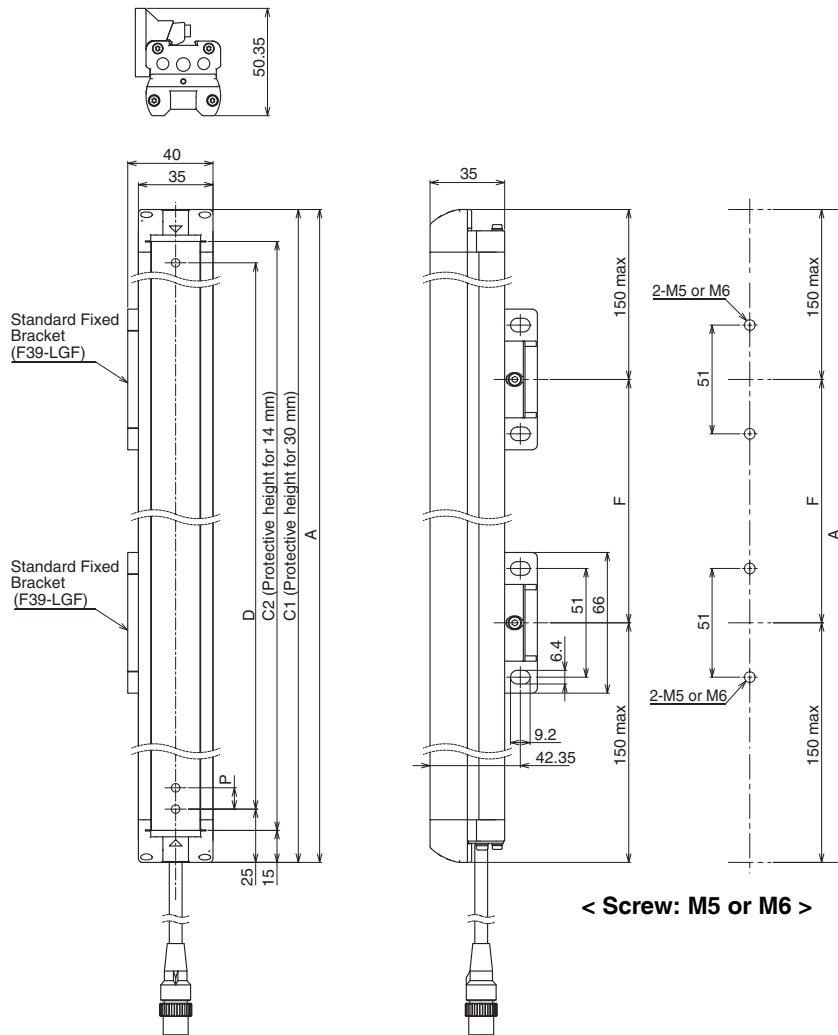
| Protective height (C2) | Number of Standard Fixed Brackets *1 | Dimension F |
|------------------------|--------------------------------------|--------------|
| 0160 to 1200 | 2 *2 | 1000 mm max. |
| 1280 to 2080 | 3 | 1000 mm max. |

*1.The number of brackets required to mount either one of emitter and receiver.

*2.Mounting an emitter or receiver with one bracket is possible for the models of protective height of 0160 to 0270. In this case, locate this bracket at half the Dimension A (or at the center of the sensor length).

F3SG-RE

Side Mounting



F3SG-4RE□□□□30 Series

| | |
|--------------|---|
| Dimension A | C1 |
| Dimension C1 | 4-digit number of the type name (Protective height) |
| Dimension D | C1-50 |
| Dimension P | 20 |

| Protective height (C1) | Number of Standard Fixed Brackets *1 | Dimension F |
|------------------------|--------------------------------------|--------------|
| 0190 to 1230 | 2 *2 | 1000 mm max. |
| 1310 to 2270 | 3 | 1000 mm max. |
| 2350 to 2510 | 4 | 1000 mm max. |

F3SG-4RE□□□□14 Series

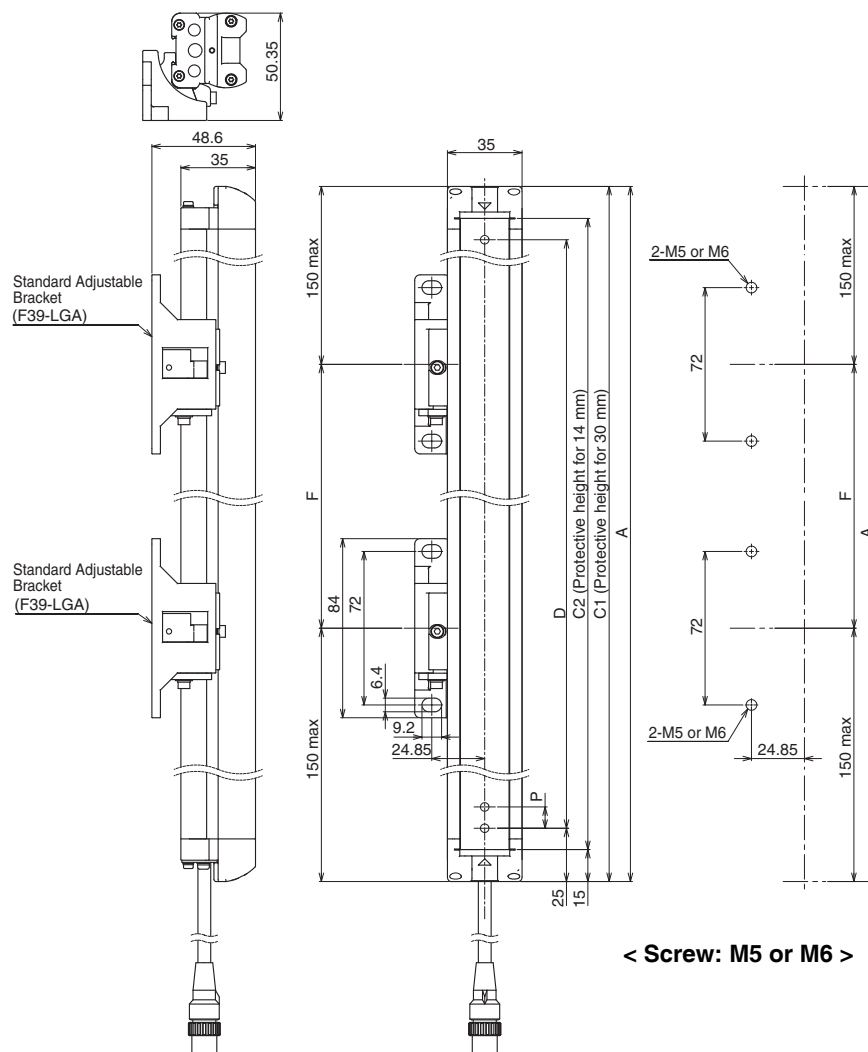
| | |
|--------------|---|
| Dimension A | C2+30 |
| Dimension C2 | 4-digit number of the type name (Protective height) |
| Dimension D | C2-20 |
| Dimension P | 10 |

| Protective height (C2) | Number of Standard Fixed Brackets *1 | Dimension F |
|------------------------|--------------------------------------|--------------|
| 0160 to 1200 | 2 *2 | 1000 mm max. |
| 1280 to 2080 | 3 | 1000 mm max. |

*1. The number of brackets required to mount either one of emitter and receiver.

*2. Mounting an emitter or receiver with one bracket is possible for the models of protective height of 0160 to 0270. In this case, locate this bracket at half the Dimension A (or at the center of the sensor length).

Mounted with Standard Fixed Brackets (F39-LGA)
Backside Mounting



F3SG-4RE□□□□□30 Series

| | |
|---------------------|---|
| Dimension A | C1 |
| Dimension C1 | 4-digit number of the type name (Protective height) |
| Dimension D | C1-50 |
| Dimension P | 20 |

| Protective height (C1) | Number of Standard Adjustable Brackets *1 | Dimension F |
|------------------------|---|--------------|
| 0190 to 1230 | 2 *2 | 1000 mm max. |
| 1310 to 2270 | 3 | 1000 mm max. |
| 2350 to 2510 | 4 | 1000 mm max. |

F3SG-4RE□□□□□14 Series

| | |
|---------------------|---|
| Dimension A | C2+30 |
| Dimension C2 | 4-digit number of the type name (Protective height) |
| Dimension D | C2-20 |
| Dimension P | 10 |

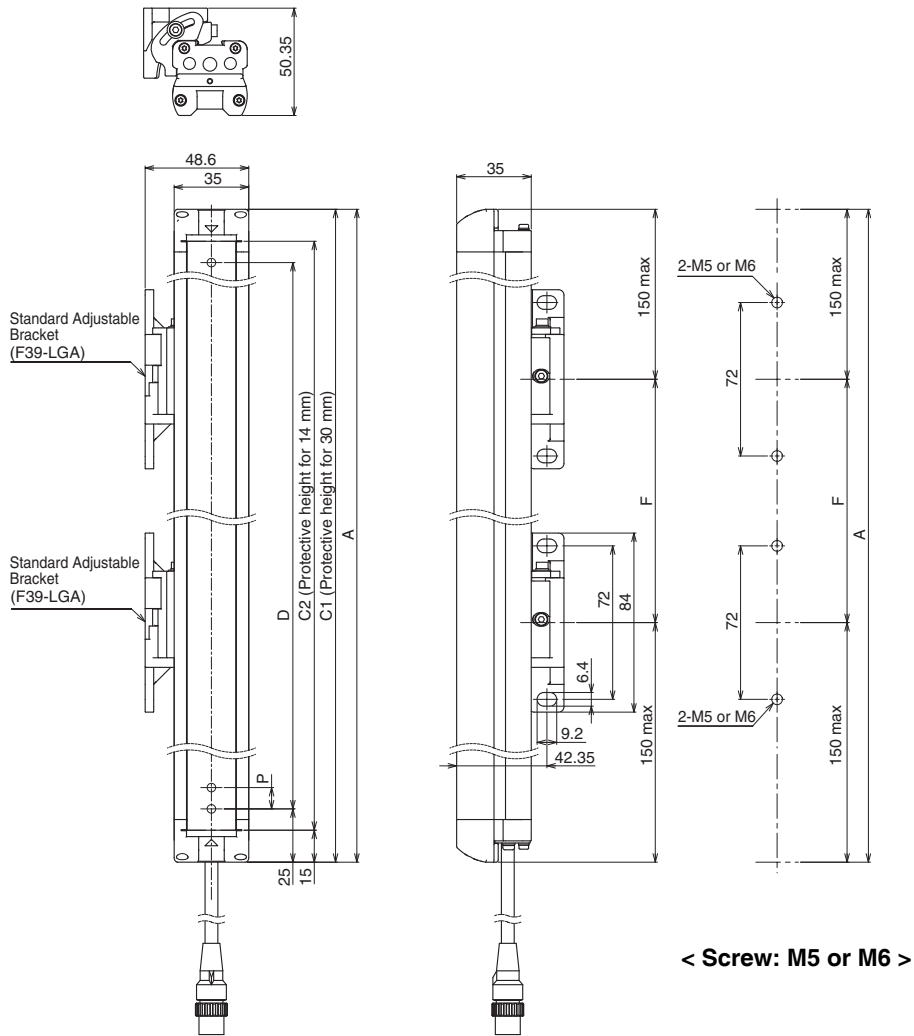
| Protective height (C2) | Number of Standard Adjustable Brackets *1 | Dimension F |
|------------------------|---|--------------|
| 0160 to 1200 | 2 *2 | 1000 mm max. |
| 1280 to 2080 | 3 | 1000 mm max. |

*1. The number of brackets required to mount either one of emitter and receiver.

*2. Mounting an emitter or receiver with one bracket is possible for the models of protective height of 0160 to 0270. In this case, locate this bracket at half the Dimension A (or at the center of the sensor length).

F3SG-RE

Side Mounting



< Screw: M5 or M6 >

F3SG-4RE□□□□30 Series

| | |
|---------------------|---|
| Dimension A | C1 |
| Dimension C1 | 4-digit number of the type name (Protective height) |
| Dimension D | C1-50 |
| Dimension P | 20 |

| Protective height (C1) | Number of Standard Adjustable Brackets *1 | Dimension F |
|------------------------|---|--------------|
| 0190 to 1230 | 2 *2 | 1000 mm max. |
| 1310 to 2270 | 3 | 1000 mm max. |
| 2350 to 2510 | 4 | 1000 mm max. |

F3SG-4RE□□□□14 Series

| | |
|---------------------|---|
| Dimension A | C2+30 |
| Dimension C2 | 4-digit number of the type name (Protective height) |
| Dimension D | C2-20 |
| Dimension P | 10 |

| Protective height (C2) | Number of Standard Adjustable Brackets *1 | Dimension F |
|------------------------|---|--------------|
| 0160 to 1200 | 2 *2 | 1000 mm max. |
| 1280 to 2080 | 3 | 1000 mm max. |

*1. The number of brackets required to mount either one of emitter and receiver.

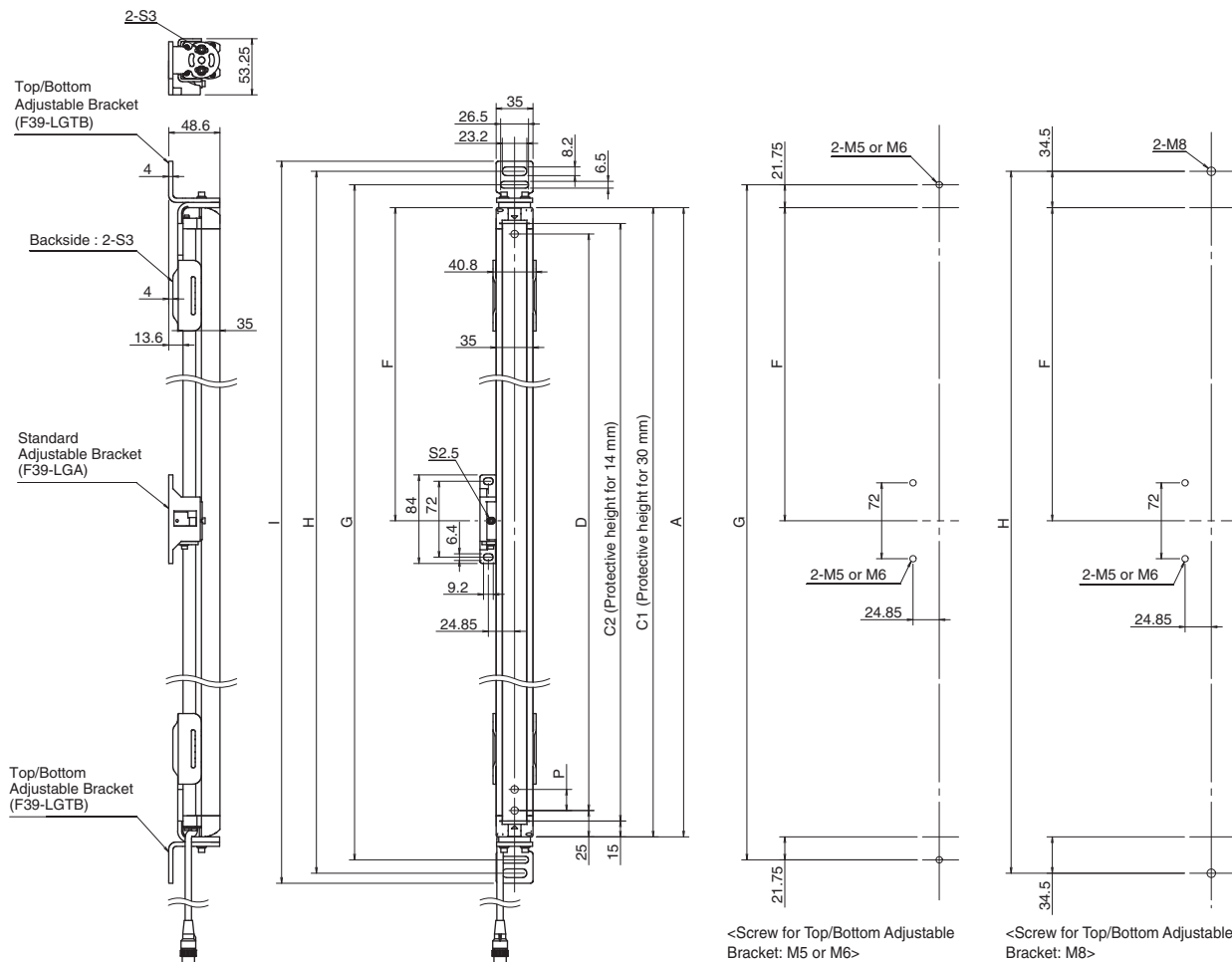
*2. Mounting an emitter or receiver with one bracket is possible for the models of protective height of 0160 to 0270. In this case, locate this bracket at half the Dimension A (or at the center of the sensor length).

Mounted with Top/Bottom Adjustable Brackets (F39-LGTB) and Standard Adjustable Brackets (F39-LGA)

Dimensions when using the F3SG-RE Series except the F3SG-4RE0190□30 and F3SG-4RE0160□14

Refer to *Safety Light Curtain F3SG-R Series User's Manual* for the dimensions when using the F3SG-4RE0190□30 and F3SG-4RE0160□14.

Backside Mounting



F3SG-4RE□□□□□30 Series

| | |
|--------------|---|
| Dimension A | C1 |
| Dimension C1 | 4-digit number of the type name (Protective height) |
| Dimension D | C1-50 |
| Dimension G | C1+43.5 |
| Dimension H | C1+69 |
| Dimension I | C1+88 |
| Dimension P | 20 |

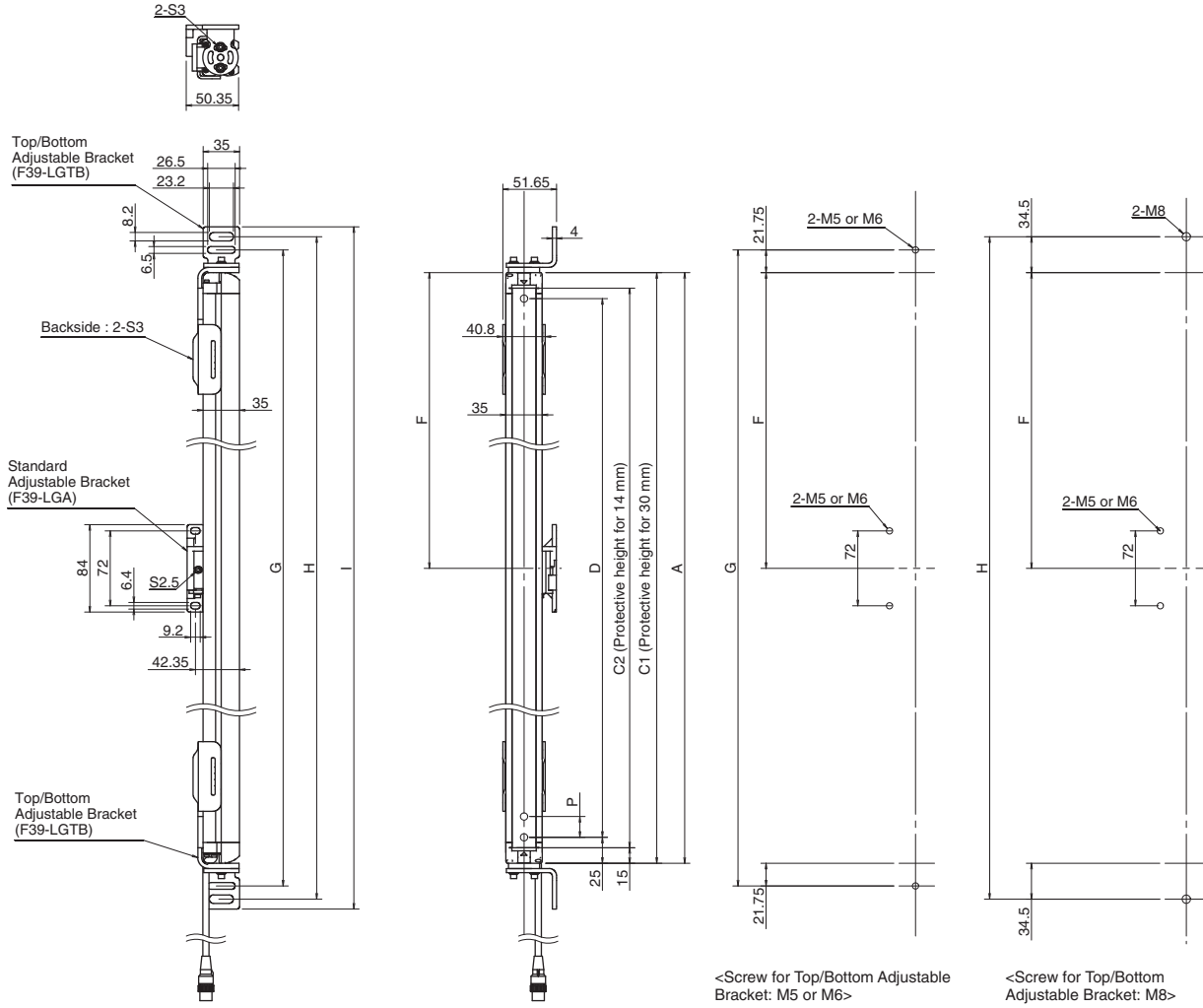
| Protective height (C1) | Number of Top/Bottom Adjustable Brackets | Number of Standard Adjustable Brackets | Dimension F |
|------------------------|--|--|--------------|
| 0270 to 1070 | 2 | 0 | - |
| 1150 to 1950 | 2 | 1 | 1000 mm max. |
| 2030 to 2510 | 2 | 2 | 1000 mm max. |

F3SG-4RE□□□□□14 Series

| | |
|--------------|---|
| Dimension A | C2+30 |
| Dimension C2 | 4-digit number of the type name (Protective height) |
| Dimension D | C2-20 |
| Dimension G | C2+73.5 |
| Dimension H | C2+99 |
| Dimension I | C2+118 |
| Dimension P | 10 |

| Protective height (C2) | Number of Top/Bottom Adjustable Brackets | Number of Standard Adjustable Brackets | Dimension F |
|------------------------|--|--|--------------|
| 0240 to 1040 | 2 | 0 | - |
| 1120 to 1920 | 2 | 1 | 1000 mm max. |
| 2000 to 2080 | 2 | 2 | 1000 mm max. |

Side Mounting



F3SG-4RE□□□□30 Series

| | |
|---------------------|---|
| Dimension A | C1 |
| Dimension C1 | 4-digit number of the type name (Protective height) |
| Dimension D | C1-50 |
| Dimension G | C1+43.5 |
| Dimension H | C1+69 |
| Dimension I | C1+88 |
| Dimension P | 20 |

| Protective height (C1) | Number of Top/Bottom Adjustable Brackets | Number of Standard Adjustable Brackets | Dimension F |
|------------------------|--|--|--------------|
| 0270 to 1070 | 2 | 0 | - |
| 1150 to 1950 | 2 | 1 | 1000 mm max. |
| 2030 to 2510 | 2 | 2 | 1000 mm max. |

F3SG-4RE□□□□14 Series

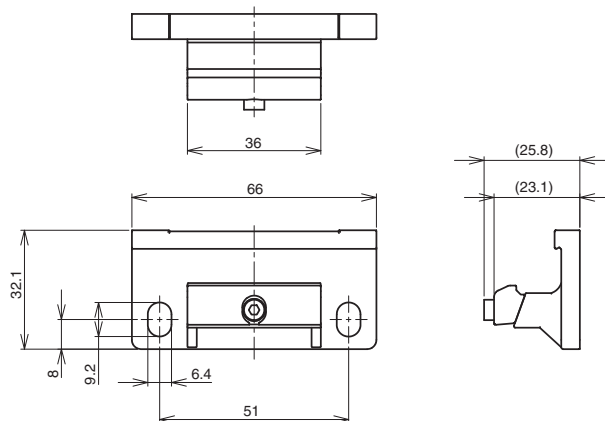
| | |
|---------------------|---|
| Dimension A | C2+30 |
| Dimension C2 | 4-digit number of the type name (Protective height) |
| Dimension D | C2-20 |
| Dimension G | C2+73.5 |
| Dimension H | C2+99 |
| Dimension I | C2+118 |
| Dimension P | 10 |

| Protective height (C2) | Number of Top/Bottom Adjustable Brackets | Number of Standard Adjustable Brackets | Dimension F |
|------------------------|--|--|--------------|
| 0240 to 1040 | 2 | 0 | - |
| 1120 to 1920 | 2 | 1 | 1000 mm max. |
| 2000 to 2080 | 2 | 2 | 1000 mm max. |

Accessories

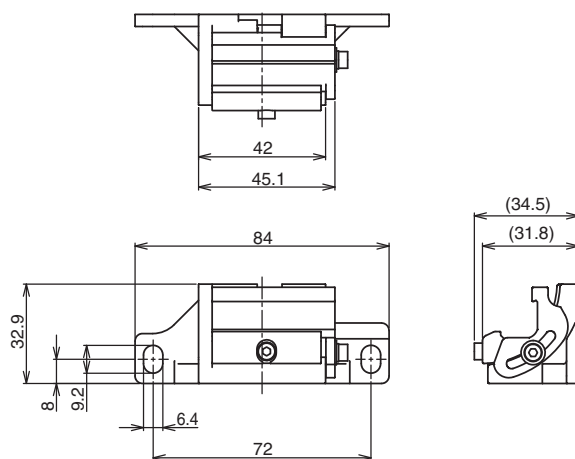
Sensor Mounting Brackets

Standard Fixed Bracket (F39-LGF)



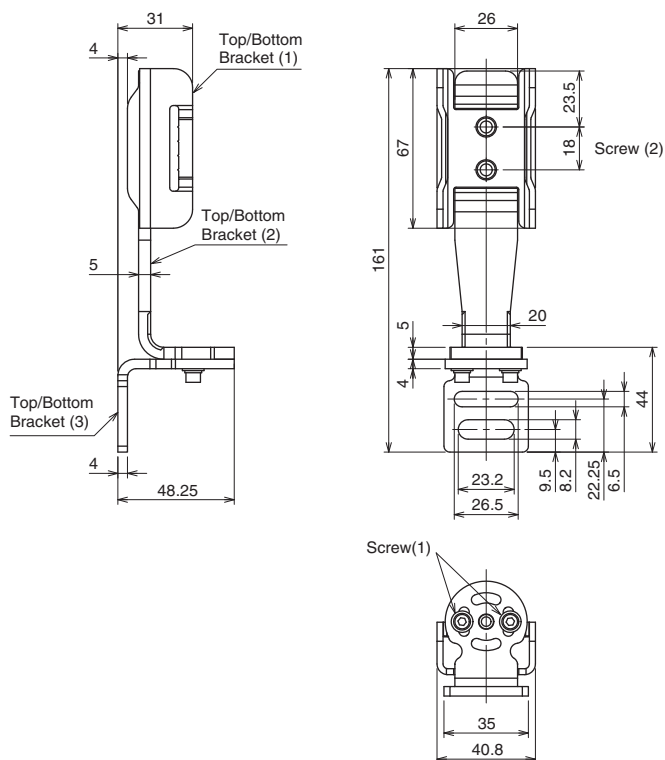
Material: Zinc alloy

Standard Fixed Bracket (F39-LGA, sold separately)



Material: Zinc alloy, Fluorochemical lubricant oil

Top/Bottom Adjustable Bracket (F39-LGTB, sold separately)



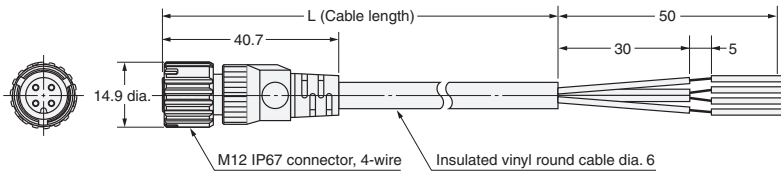
Material: Stainless steel

F3SG-RE

F3SG-RE

Safety light curtain connecting cable

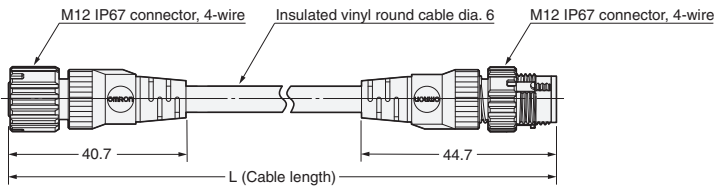
Round Water-resistant Connector: Connector Connected to Cable, Socket on One Cable End (XS5F-D421-□80-F, sold separately)



Material: Insulated vinyl round cable

| Specification | Model | L (m) |
|-----------------------------|-----------------|-------|
| Fire-retardant, Robot cable | XS5F-D421-C80-F | 1 |
| | XS5F-D421-D80-F | 2 |
| | XS5F-D421-E80-F | 3 |
| | XS5F-D421-G80-F | 5 |
| | XS5F-D421-J80-F | 10 |
| | XS5F-D421-L80-F | 20 |

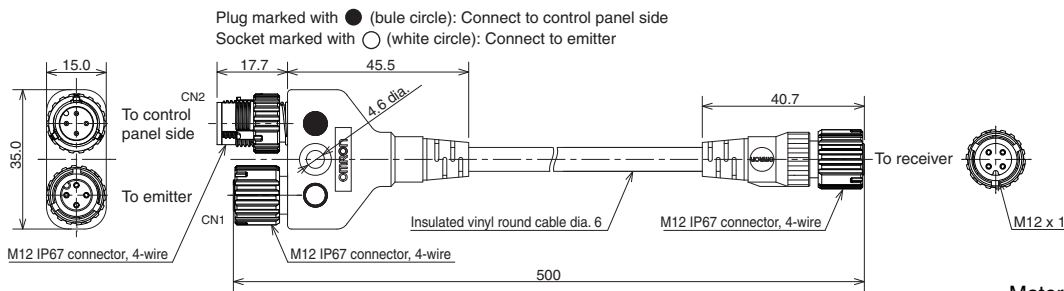
Round Water-resistant Connector: Connectors Connected to Cable, Socket and Plug on Cable Ends (XS5W-D421-□81-F, sold separately)



Material: Insulated vinyl round cable

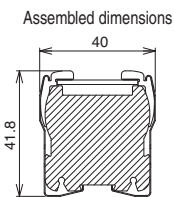
| Specification | Model | L (m) |
|-----------------------------|-----------------|-------|
| Fire-retardant, Robot cable | XS5W-D421-C81-F | 1 |
| | XS5W-D421-D81-F | 2 |
| | XS5W-D421-E81-F | 3 |
| | XS5W-D421-G81-F | 5 |
| | XS5W-D421-J81-F | 10 |
| | XS5W-D421-L81-F | 20 |

Y-Joint Plug/Socket Connector (F39-GCNY1, sold separately)



Material: PBT (Main body)

Spatter Protection Cover(F39-HGA/-HGB, sold separately)



| Model | Total length |
|-------------|--------------|
| F39-HGB□□□□ | □□□□+6 |
| F39-HGA0550 | 558 |

Material: PC (Transparent cover)
 ABS (Side wall)
 Stainless steel (Bracket)
 Aluminum adhesive tape
 (Fixing sticker)

Related Manuals

| ManNo. | Model | Manual name |
|--------|-----------------|--|
| Z352 | F3SG-□R□□□□□□□□ | Safety Light Curtain F3SG-□R Series User's Manual |

Safety Light Curtain

F3SG-RA-01TS

Offers Both Durability and Reliability

- Rugged and compact
- All models designed for global use. PNP/NPN selection by DIP switch
- Conforming to major international standards
- Prevents accidental changes of settings by configuration tool (monitoring only)

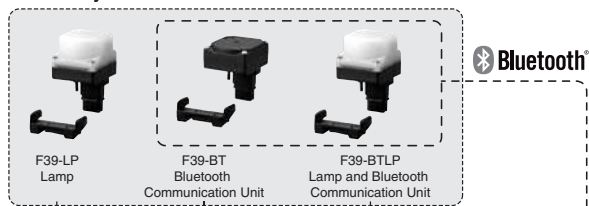


System Configuration

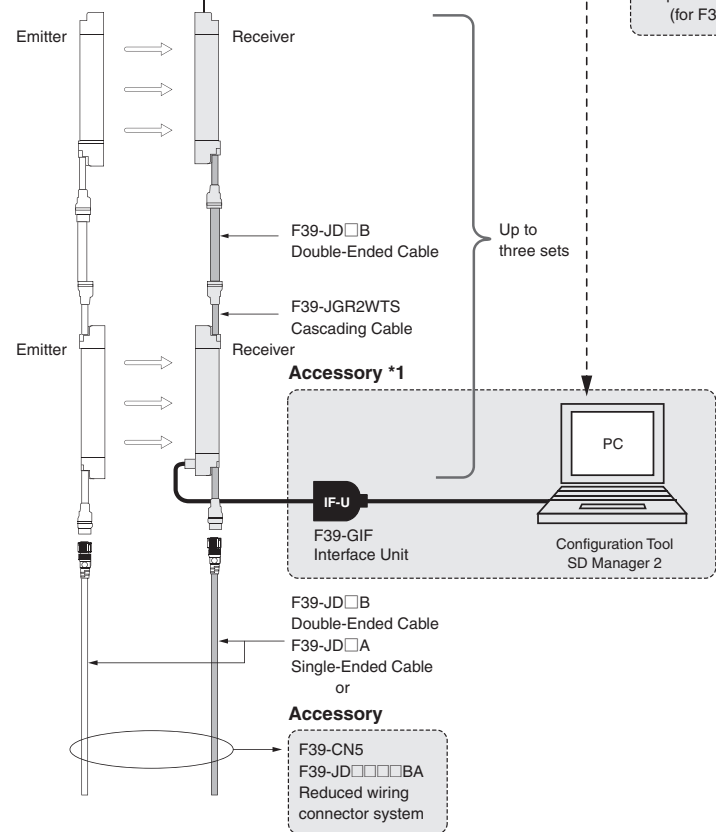
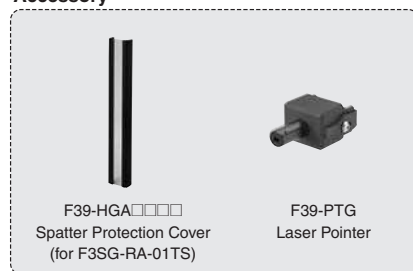
Mounting bracket



Accessory



Accessory



Recommended safety controller *2

- NX/NE1A-series Safety Network Controller
- G9SP-series Safety Controller
- G9SE/G9SA-series Safety Relay Unit
- G9SX-series Flexible Safety Unit
- G7SA/G7S-E Relays with Forcibly Guided Contacts

*1. The F3SG-RA-01TS provides only the monitoring functionality.
 *2. The recommended safety controller is required to build a safety circuit using emergency stop switches and door switches.

F3SG-RA-01TS

F3SG-RA-01TS

Ordering Information

Main Units

Safety Light Curtain




Hand and arm protection

| Number of beams | Protective height (mm) | Model |
|-----------------|------------------------|----------------------|
| 8 | 185 | F3SG-4RA0185-25-01TS |
| 12 | 265 | F3SG-4RA0265-25-01TS |
| 16 | 345 | F3SG-4RA0345-25-01TS |
| 20 | 425 | F3SG-4RA0425-25-01TS |
| 24 | 505 | F3SG-4RA0505-25-01TS |
| 28 | 585 | F3SG-4RA0585-25-01TS |
| 32 | 665 | F3SG-4RA0665-25-01TS |
| 36 | 745 | F3SG-4RA0745-25-01TS |
| 40 | 825 | F3SG-4RA0825-25-01TS |
| 44 | 905 | F3SG-4RA0905-25-01TS |
| 48 | 985 | F3SG-4RA0985-25-01TS |
| 52 | 1,065 | F3SG-4RA1065-25-01TS |
| 56 | 1,145 | F3SG-4RA1145-25-01TS |
| 60 | 1,225 | F3SG-4RA1225-25-01TS |
| 64 | 1,305 | F3SG-4RA1305-25-01TS |
| 68 | 1,385 | F3SG-4RA1385-25-01TS |
| 72 | 1,465 | F3SG-4RA1465-25-01TS |
| 76 | 1,545 | F3SG-4RA1545-25-01TS |
| 80 | 1,625 | F3SG-4RA1625-25-01TS |
| 84 | 1,705 | F3SG-4RA1705-25-01TS |
| 88 | 1,785 | F3SG-4RA1785-25-01TS |
| 92 | 1,865 | F3SG-4RA1865-25-01TS |
| 96 | 1,945 | F3SG-4RA1945-25-01TS |

Accessories (Sold separately)

Safety light curtain connecting cable

Single-Ended Cable (2 cables per set, one for emitter and one for receiver) *


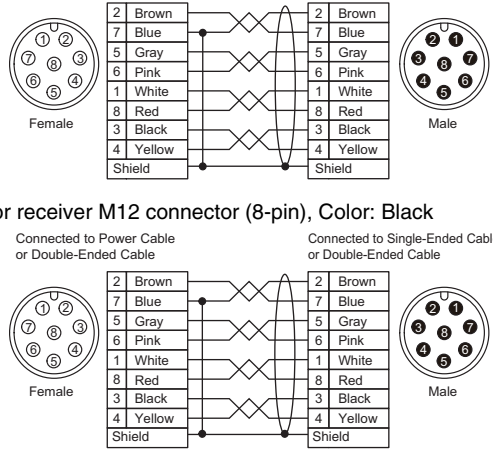
| Appearance | Cable length | Specifications | Model | | | | | | | | | | | | | | | | | | | | | | | | | | | |
|---|---|--|--------|----------|-------|---------|---------|-------|--------|-------|-------|-----|----------|--------|----------|----------|------|----------|----------|------|-------|-------|------|-----|----------|--------|--------|--|----------|----------|
|  | 3m | For emitter M12 connector (8-pin), Color: Gray Connected to Power Cable or Double-Ended Cable  <table border="1"> <tr><td>1</td><td>Not used</td><td>White</td></tr> <tr><td>2</td><td>+24 VDC</td><td>Brown</td></tr> <tr><td>3</td><td>TEST</td><td>Black</td></tr> <tr><td>4</td><td>Not used</td><td>Yellow</td></tr> <tr><td>5</td><td>Not used</td><td>Gray</td></tr> <tr><td>6</td><td>Not used</td><td>Pink</td></tr> <tr><td>7</td><td>0 VDC</td><td>Blue</td></tr> <tr><td>8</td><td>Not used</td><td>Red</td></tr> <tr><td colspan="3">Shield</td></tr> </table> | 1 | Not used | White | 2 | +24 VDC | Brown | 3 | TEST | Black | 4 | Not used | Yellow | 5 | Not used | Gray | 6 | Not used | Pink | 7 | 0 VDC | Blue | 8 | Not used | Red | Shield | | | F39-JD3A |
| | 1 | Not used | White | | | | | | | | | | | | | | | | | | | | | | | | | | | |
| | 2 | +24 VDC | Brown | | | | | | | | | | | | | | | | | | | | | | | | | | | |
| | 3 | TEST | Black | | | | | | | | | | | | | | | | | | | | | | | | | | | |
| | 4 | Not used | Yellow | | | | | | | | | | | | | | | | | | | | | | | | | | | |
| 5 | Not used | Gray | | | | | | | | | | | | | | | | | | | | | | | | | | | | |
| 6 | Not used | Pink | | | | | | | | | | | | | | | | | | | | | | | | | | | | |
| 7 | 0 VDC | Blue | | | | | | | | | | | | | | | | | | | | | | | | | | | | |
| 8 | Not used | Red | | | | | | | | | | | | | | | | | | | | | | | | | | | | |
| Shield | | | | | | | | | | | | | | | | | | | | | | | | | | | | | | |
| 7m | For receiver M12 connector (8-pin), Color: Gray Connected to Power Cable or Double-Ended Cable  <table border="1"> <tr><td>1</td><td>OSSD 2</td><td>White</td></tr> <tr><td>2</td><td>+24 VDC</td><td>Brown</td></tr> <tr><td>3</td><td>OSSD 1</td><td>Black</td></tr> <tr><td>4</td><td>AUX</td><td>Yellow</td></tr> <tr><td>5</td><td>Not used</td><td>Gray</td></tr> <tr><td>6</td><td>Not used</td><td>Pink</td></tr> <tr><td>7</td><td>0 VDC</td><td>Blue</td></tr> <tr><td>8</td><td>EDM</td><td>Red</td></tr> <tr><td colspan="3">Shield</td></tr> </table> | 1 | OSSD 2 | White | 2 | +24 VDC | Brown | 3 | OSSD 1 | Black | 4 | AUX | Yellow | 5 | Not used | Gray | 6 | Not used | Pink | 7 | 0 VDC | Blue | 8 | EDM | Red | Shield | | | F39-JD7A | |
| 1 | OSSD 2 | White | | | | | | | | | | | | | | | | | | | | | | | | | | | | |
| 2 | +24 VDC | Brown | | | | | | | | | | | | | | | | | | | | | | | | | | | | |
| 3 | OSSD 1 | Black | | | | | | | | | | | | | | | | | | | | | | | | | | | | |
| 4 | AUX | Yellow | | | | | | | | | | | | | | | | | | | | | | | | | | | | |
| 5 | Not used | Gray | | | | | | | | | | | | | | | | | | | | | | | | | | | | |
| 6 | Not used | Pink | | | | | | | | | | | | | | | | | | | | | | | | | | | | |
| 7 | 0 VDC | Blue | | | | | | | | | | | | | | | | | | | | | | | | | | | | |
| 8 | EDM | Red | | | | | | | | | | | | | | | | | | | | | | | | | | | | |
| Shield | | | | | | | | | | | | | | | | | | | | | | | | | | | | | | |
| 10m | | F39-JD10A | | | | | | | | | | | | | | | | | | | | | | | | | | | | |
| 15m | | F39-JD15A | | | | | | | | | | | | | | | | | | | | | | | | | | | | |
| 20m | | F39-JD20A | | | | | | | | | | | | | | | | | | | | | | | | | | | | |

* The cable for emitter and the cable for receiver are available separately. Add '-L' for emitter or '-D' for receiver to the end of the model number when you order.

Single-Ended Cable for Emitter: F39-JD□A-L, Single-Ended Cable for Receiver: F39-JD□A-D

Note: To extend the cable length to more than 20 m, add the F39-JD□B Double-Ended Cable.

Doble-Ended Cable (2 cables per set, one for emitter and one for receiver) *
For cable extension

| Appearance | Cable length | Specifications | Model |
|---|--------------|--|------------------|
|  | 0.5 m | For emitter M12 connector (8-pin), Color: Gray | F39-JDR5B |
| | 1 m |  <p>Female</p> <p>Male</p> <p>2 Brown, 7 Blue, 5 Gray, 6 Pink, 1 White, 8 Red, 3 Black, 4 Yellow, Shield</p> | F39-JD1B |
| | 3 m | | F39-JD3B |
| | 5 m | | F39-JD5B |
| | 7 m | | F39-JD7B |
| | 10 m | | F39-JD10B |
| | 15 m | | F39-JD15B |
| | 20 m | F39-JD20B | |

* The cable for emitter and the cable for receiver are available separately. Add '-L' for emitter or '-D' for receiver to the end of the model number when you order.

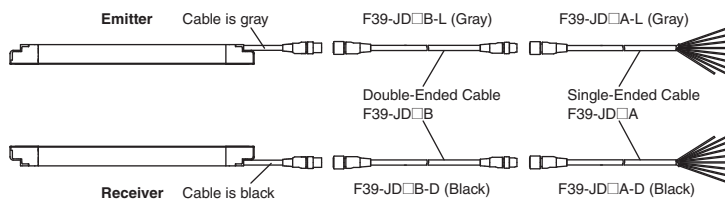
Double-Ended Cable for Emitter: F39-JD(R)□B-L, Double-Ended Cable for Receiver: F39-JD(R)□B-D

Note: To extend the cable length to more than 20 m, add the F39-JD□B Double-Ended Cable to the F39-JD□A Single-Ended Cable.


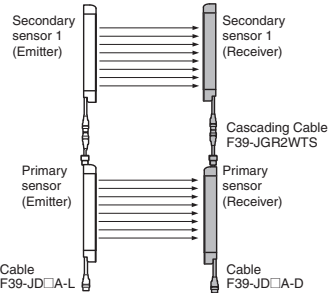
To extend the cable length to more than 40 m, add several Double-Ended Cables to the Single-Ended Cable.

Example: To extend the cable length to 50 m, connect two F39-JD20B (20 m) cables and one F39-JD10A (10 m) cable.

<Connection example>

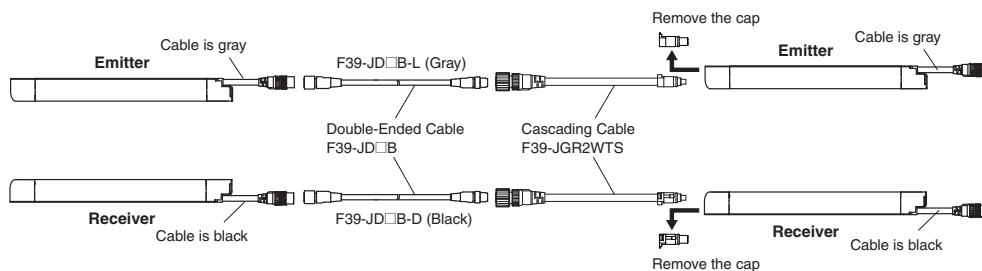


Cascading Cable (2 cables per set, for emitter and receiver)

| Appearance | Type | Cable length | Specifications | Model |
|---|------------------------------------|--------------|--|--------------------|
|  | Cap (8-pin), M12 connector (8-pin) | 0.2m |  <p>Secondary sensor 1 (Emitter) / Secondary sensor 1 (Receiver)</p> <p>Primary sensor (Emitter) / Primary sensor (Receiver)</p> <p>Cable F39-JD□A-L / Cable F39-JD□A-D</p> <p>Cascading Cable F39-JGR2WTS</p> | F39-JGR2WTS |

Note: The Double-Ended Cable (up to 10 m: F39-JD10B) can be added to extend the cable length between the series-connected sensors. Cable length between sensors: 10 m max. (not including cascading cable (F39-JGR2WTS) and power cable)


<Connection example>



F3SG-RA-01TS

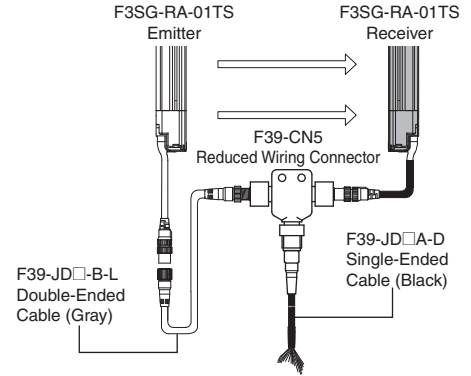
F3SG-RA-01TS

Reduced Wiring Connector System (Order the F39-CN5 and Cables for Reduce Wiring.) Reduced Wiring Connector


| Appearance | Specifications | Model |
|---|------------------------|----------------|
|  | IP67 rated when mated. | F39-CN5 |

Note: When using the Reduced Wiring Connector (F39-CN5), the following functions are not available.

- External Device Monitoring
- Auxiliary Output







Cable for Reduce Wiring* (2 cables per set, one for emitter and one for receiver)

| Appearance | Cable length | Specifications | Remarks | Model |
|--|---------------------------------|------------------------|--|---------------------|
|  | Emitter: 3 m Receiver: 3 m | IP67 rated when mated. | Double-Ended Cable: F39-JD3B-L Single-Ended Cable: F39-JD3A-D | F39-JD0303BA |
| | Emitter: 3 m Receiver: 7 m | | Double-Ended Cable: F39-JD3B-L Single-Ended Cable: F39-JD7A-D | F39-JD0307BA |
| | Emitter: 3 m Receiver: 10 m | | Double-Ended Cable: F39-JD3B-L Single-Ended Cable: F39-JD10A-D | F39-JD0310BA |
| | Emitter: 5 m Receiver: 3 m | | Double-Ended Cable: F39-JD5B-L Single-Ended Cable: F39-JD3A-D | F39-JD0503BA |
| | Emitter: 5 m Receiver: 7 m | | Double-Ended Cable: F39-JD5B-L Single-Ended Cable: F39-JD7A-D | F39-JD0507BA |
| | Emitter: 5 m Receiver: 10m | | Double-Ended Cable: F39-JD5B-L Single-Ended Cable: F39-JD10A-D | F39-JD0510BA |
| | Emitter: 10 m Receiver: 3 m | | Double-Ended Cable: F39-JD10B-L Single-Ended Cable: F39-JD3A-D | F39-JD1003BA |
| | Emitter: 10 m Receiver: 7 m | | Double-Ended Cable: F39-JD10B-L Single-Ended Cable: F39-JD7A-D | F39-JD1007BA |
| | Emitter: 10 m Receiver: 10 m | | Double-Ended Cable: F39-JD10B-L Single-Ended Cable: F39-JD10A-D | F39-JD1010BA |

Note: A combination of emitter and receiver cables of other lengths than the above is also available. For details, contact your Omron representative.
* Double-Ended Cable for emitter and Single-Ended Cable for receiver.

Sensor Mounting Brackets

| Appearance | Specification | Application | Model |
|---|--|--|-------------------|
|  | Standard Fixed Bracket | Bracket to mount the F3SG-RA-01TS. Side mounting and backside mounting possible. (Sold separately as a set of two Brackets. Refer to note *1 for the number of sets required for each model.) | F39-LGF |
|  | Standard Adjustable Bracket | Bracket to mount the F3SG-RA-01TS. Beam alignment after mounting possible. The angle adjustment range is $\pm 15^\circ$. Side mounting and backside mounting possible. (Sold separately as a set of two Brackets. Refer to note *1 for the number of sets required for each model.) | F39-LGA |
|  | Top/Bottom Adjustable Bracket *2 | Bracket to mount the F3SG-RA-01TS. Use this bracket at the top and bottom positions of the F3SG-RA-01TS. Beam alignment after mounting possible. The angle adjustment range is $\pm 22.5^\circ$. Side mounting and backside mounting possible. (Sold separately. 4 brackets per set.) | F39-LGTB |
|  | Top/Bottom Adjustable Bracket *2 (For user-made mounting part) | Top/Bottom Adjustable Bracket without a bracket to mount to the wall. Use the user's own wall mounting part to suit the machine. (Sold separately. 4 brackets per set.) | F39-LGTB-1 |

*1. Protective height of 0185 to 1225: 2 sets, Protective height of 1305 to 1945: 3 sets




*2. Top/Bottom Adjustable Bracket cannot be used with the Standard Fixed Bracket. Use with the Standard Adjustable Bracket.

Using Top/Bottom Adjustable Brackets with Standard Adjustable Brackets

Protective height of 1065 or less: The Standard Adjustable Bracket is not required. Please purchase 1 set of Top/Bottom Adjustable Brackets (F39-LGTB(-1)).


Protective height of 1145 to 1945: Please purchase 1 set of Top/Bottom Adjustable Brackets (F39-LGTB(-1)) and 1 set of Standard Adjustable Brackets (F39-LGA).

Interface units and configuration tool SD Manager 2 *


| Appearance | Type | Specifications | Model |
|---|------------------------------|---|----------------|
|  | SD Manager 2 | The Configuration Tool SD Manager 2 is available to download from our website at http://www.ia.omron.com/f3sg-r_tool . | — |
|  | Interface Unit | F39-GIF interface unit to connect the F3SG-RA-01TS receiver to a USB port of the PC Accessories: 0.3-m Dedicated Cable 1 (1), 2-m Dedicated Cable 2 (1), Instruction Manual | F39-GIF |
|  | Bluetooth Communication Unit | F39-BT bluetooth unit to enable bluetooth on the F3SG-RA IP67 rated when mated. | F39-BT |

* The F3SG-RA-01TS provides only the monitoring functionality.

Lamp


| Appearance | Type | Specifications | Model |
|--|---------------------------------------|--|-----------------|
|  | Lamp | The lamp can be connected to a receiver and turned ON based on the operation of F3SG-RA. The lamp output pattern is set as follows: Red (ON): Inverted signal of safety output information Orange (Blink once): Inverted signal of stable-state information | F39-LP |
| | Lamp and Bluetooth Communication Unit | Green (ON): Safety output information IP67 rated when mated. | F39-BTLP |

End Cap *

| Appearance | Specifications | Model |
|---|--|----------------|
|  | Housing color: Black For both emitter and receiver (Attached to the F3SG-RA-01TS. The End Cap can be purchased if lost.) IP67 rated when mated. | F39-CNM |

* This accessory can also be used with the F3SG-RA-02TS.


Laser Pointer for F3SG-R

| Appearance | Specifications | Model |
|---|--|----------------|
|  | The laser pointer is attached on the optical surface of the F3SG-R to help coarse adjustment of beams. | F39-PTG |

F3SG-RA-01TS

Spatter Protection Cover (2 covers per set, one for emitter and one for receiver)

Spatter Protection Covers include mounting brackets.

| Appearance | Safety Light Curtain Model | Model |
|---|----------------------------|-------------|
| | Hand protection | |
|  | F3SG-4RA0185-25-01TS | F39-HGA0200 |
| | F3SG-4RA0265-25-01TS | F39-HGA0280 |
| | F3SG-4RA0345-25-01TS | F39-HGA0360 |
| | F3SG-4RA0425-25-01TS | F39-HGA0440 |
| | F3SG-4RA0505-25-01TS | F39-HGA0520 |
| | F3SG-4RA0585-25-01TS | F39-HGA0600 |
| | F3SG-4RA0665-25-01TS | F39-HGA0680 |
| | F3SG-4RA0745-25-01TS | F39-HGA0760 |
| | F3SG-4RA0825-25-01TS | F39-HGA0840 |
| | F3SG-4RA0905-25-01TS | F39-HGA0920 |
| | F3SG-4RA0985-25-01TS | F39-HGA1000 |
| | F3SG-4RA1065-25-01TS | F39-HGA1080 |
| | F3SG-4RA1145-25-01TS | F39-HGA1160 |
| | F3SG-4RA1225-25-01TS | F39-HGA1240 |
| | F3SG-4RA1305-25-01TS | F39-HGA1320 |
| | F3SG-4RA1385-25-01TS | F39-HGA1400 |
| | F3SG-4RA1465-25-01TS | F39-HGA1480 |
| | F3SG-4RA1545-25-01TS | F39-HGA1560 |
| | F3SG-4RA1625-25-01TS | F39-HGA1640 |
| | F3SG-4RA1705-25-01TS | F39-HGA1720 |
| F3SG-4RA1785-25-01TS | F39-HGA1800 | |
| F3SG-4RA1865-25-01TS | F39-HGA1880 | |
| F3SG-4RA1945-25-01TS | F39-HGA1960 | |

- Note:**
1. The operating range of the Safety Light Curtain attached with the product is 10% shorter than the rating.
 2. The product extends over the DIP Switch cover of the Safety Light Curtain. Be sure to use the product only after all required settings are made to the DIP Switch.

Test Rod

| Diameter | Model |
|------------|-----------|
| 25 mm dia. | F39-TRD25 |

Ratings and Specifications

Main unit

The □□□□ in the model names indicate the protective heights in millimeters.

| | | F3SG-4RA□□□□-25-01TS | | |
|-----------------------|---|--|---|--|
| Performance | Object Resolution (Detection Capability) | Opaque objects 25-mm dia. | | |
| | Beam Gap | 20 mm | | |
| | Number of Beams | 8 to 96 | | |
| | Lens Size | 6.0×5.0 (W×H) mm | | |
| | Protective Height | 185 to 1945 mm (7.3 to 76.6 inch) | | |
| | Operating Range | Long | 0.3 to 17.0 m (1 to 56 ft.) | |
| | | Short | 0.3 to 5.0 m (1 to 16 ft.) | |
| | Response Time | ON to OFF | 8 to 13 ms *1 | |
| | | OFF to ON | 40 to 65ms *1 | |
| | | *1. Response time when used in one segment system or in cascaded connection. Refer to page 101 for the one segment system. Refer to <i>Safety Light Curtain F3SG-4RA□□□□-25-01TS Series User's Manual (ManNo.: Z380)</i> for cascaded connection. | | |
| | Effective Aperture Angle (EAA) (IEC 61496-2) | Type 4 | ±2.5° max., emitter and receiver at operating range of 3 m or greater | |
| Light Source | Infrared LEDs, Wavelength: 870 nm | | | |
| Startup Waiting Time | 2 s max. | | | |
| Electrical | Power Supply Voltage (Vs) | SELV/PELV 24 VDC±20% (ripple p-p 10% max.) | | |
| | Current Consumption | Refer to page 101 . | | |
| | Safety Outputs (OSSD) | Two PNP or NPN transistor outputs (PNP or NPN is selectable by DIP Switch.) Load current of 300 mA max., Residual voltage of 2 V max. (except for voltage drop due to cable extension), Capacitive load of 1 µF max., Inductive load of 2.2 H max. *1 Leakage current of 1 mA max. (PNP), 2 mA max. (NPN) *2 | | |
| | | *1. The load inductance is the maximum value when the safety output frequently repeats ON and OFF. When you use the safety output at 4 Hz or less, the usable load inductance becomes larger. *2. These values must be taken into consideration when connecting elements including a capacitive load such as a capacitor. | | |
| | Auxiliary Output | One PNP or NPN transistor output (Safety Output and homopolarity) Load current of 100 mA max., Residual voltage of 2 V max | | |
| | Output Operation Mode | Safety Output | Light-ON (Safety output is enabled when the receiver receives an emitting signal.) | |
| | | Auxiliary Output | Reverse output of safety output | |
| | Input Voltage | External device monitoring input (Lockout reset input) | PNP ON voltage: Vs-3 V to Vs (short circuit current: approx. 6.5 mA) * OFF voltage: 0 V to 1/2 Vs, or open (short circuit current: approx. 8.0 mA) * | |
| | | | NPN ON voltage: 0 to 3 V (short circuit current: approx. 8.0 mA) * OFF voltage: 1/2 Vs to Vs, or open (short circuit current: approx. 6.5 mA) * | |
| | | Test input | 24 V inactive setting ON voltage: 0 to 1.5 V or open (short circuit current: approx. 2.0 mA) OFF voltage: 9 V to Vs (short circuit current: approx. 2.5 mA) * 0 V inactive setting ON voltage: 9 V to Vs or open (short circuit current: approx. 2.5 mA) OFF voltage: 0 to 3 V (short circuit current: approx. 2.0 mA) * The Vs indicates a supply voltage value in your environment. | |
| | Overvoltage Category (IEC 60664-1) | II | | |
| Indicators | Refer to page 103 . | | | |
| Protective Circuit | Output short protection, Power supply reverse polarity protection | | | |
| Insulation Resistance | 20 MΩ or higher (500 VDC megger) | | | |
| Dielectric Strength | 1,000 VAC, 50/60 Hz (1 min) | | | |
| Functional | Mutual Interference Prevention (Scan Code) | This function prevents mutual interference in up to two F3SG-RA systems. | | |
| | Cascade Connection | Number of cascaded segments: 3 max. Total number of beams: 255 max. Cable length between sensors: 10 m max. (not including cascading cable (F39-JGR2WTS) and power cable) | | |
| | Test Function | Self-test (at power-on, and during operation) External test (light emission stop function by test input) | | |
| | Safety-Related Functions | External device monitoring (EDM) Scan code selection PNP/NPN selection | | |

F3SG-RA-01TS

| | | | F3SG-4RA□□□□-25-01TS |
|--------------------------------|---|---|--|
| Environmental | Ambient Temperature | Operating | -10 to 55°C (14 to 131°F) (non-icing) |
| | | Storage | -25 to 70°C (-13 to 158°F) |
| | Ambient Humidity | Operating | 35% to 85% (non-condensing) |
| | | Storage | 35% to 95% |
| | Ambient Illuminance | | Incandescent lamp: 3,000 lx max. on receiver surface Sunlight: 10,000 lx max. on receiver surface |
| | Degree of Protection (IEC 60529) | | IP65 and IP67 |
| | Vibration Resistance (IEC 61496-1) | | 10 to 55 Hz, Multiple amplitude of 0.7 mm, 20 sweeps for all 3 axes |
| Shock Resistance (IEC 61496-1) | | 100 m/s ² , 1000 shocks for all 3 axes | |
| Pollution Degree (IEC 60664-1) | | Pollution Degree 3 | |
| Connections | Power cable | Type of Connection | M12 connectors: 8-pin emitter and receiver, IP67 rated when mated, Cables pre-wired to the sensors |
| | | Number of Wires | On emitter: 5-wire, On receiver: 8-wire |
| | | Cable Length | 0.3 m |
| | | Cable Diameter | 6 mm |
| | | Minimum Bending Radius | R5 mm |
| | Cascading cable | Type of Connection | M12 connectors: 8-pin emitter and receiver, IP67 rated when mated |
| | | Number of Wires | On emitter: 5-wire, On receiver: 8-wire |
| | | Cable Length | 0.2 m |
| | | Cable Diameter | 6 mm |
| | | Minimum Bending Radius | R5 mm |
| | Extension cable - Single-Ended Cable - Double-Ended Cable | Type of Connection | M12 connectors: 8-pin emitter and receiver, IP67 rated when mated |
| | | Number of Wires | On emitter and receiver: 8-wire |
| | | Cable Length | Refer to page 94. |
| Cable Diameter | | 6.6 mm | |
| Minimum Bending Radius | | R36 mm | |
| Extension of Power Cable | | 100 m max.(Emitter/Receiver) | |
| Material | Material | Housing: Aluminum alloy Cap: PBT resin Front window: Acrylic resin Cable: Oil-resistant PVC resin FE plate: Stainless steel | |
| | Weight | Refer to page 101 . | |
| | Included Accessories | Safety Precautions, Quick Installation Manual, Troubleshooting Guide Sticker, | |
| Conformity | Conforming standards | Refer to page 102 . | |
| | Type of ESPE (IEC 61496-1) | Type 4 | |
| | Performance Level (PL)/ Safety category | PL e/Category 4 (EN ISO 13849-1:2015) | |
| | PFH _D | 1.1 × 10 ⁻⁸ (IEC 61508) | |
| | Proof test interval T _M | Every 20 years (IEC 61508) | |
| | SFF | 99% (IEC 61508) | |
| | HFT | 1 (IEC 61508) | |
| Classification | Type B (IEC 61508-2) | | |

Bluetooth Communication Unit

| | |
|-----------------------|---|
| Communication System | Bluetooth Version 3.0 |
| Communication Profile | SPP (Serial Port Profile) |
| Transmission Distance | Approx. 10 m max. (Output power: Class 2) * |

* It depends on use environment conditions.

List of Models/Response Time/Current Consumption/Weight

| Model | Number of Beams | Protective Height [mm] | Response Time [ms] *1 | | | Current Consumption [mA] | | Weight [kg] | |
|----------------------|-----------------|------------------------|-----------------------|-------------------------|-----------------------------|--------------------------|----------|-------------|----------|
| | | | ON → OFF *2 | OFF (Synchronized) → ON | OFF (Not synchronized) → ON | Emitter | Receiver | Net *3 | Gross *4 |
| F3SG-4RA0185-25-01TS | 8 | 185 | 8 | 40 | 140 | 35 | 75 | 0.7 | 1.4 |
| F3SG-4RA0265-25-01TS | 12 | 265 | 8 | 40 | 140 | 35 | 75 | 0.9 | 1.6 |
| F3SG-4RA0345-25-01TS | 16 | 345 | 8 | 40 | 140 | 40 | 75 | 1.1 | 1.9 |
| F3SG-4RA0425-25-01TS | 20 | 425 | 8 | 40 | 140 | 45 | 75 | 1.3 | 2.2 |
| F3SG-4RA0505-25-01TS | 24 | 505 | 8 | 40 | 140 | 50 | 75 | 1.5 | 2.5 |
| F3SG-4RA0585-25-01TS | 28 | 585 | 8 | 40 | 140 | 50 | 75 | 1.7 | 2.7 |
| F3SG-4RA0665-25-01TS | 32 | 665 | 8 | 40 | 140 | 55 | 75 | 1.9 | 3.0 |
| F3SG-4RA0745-25-01TS | 36 | 745 | 8 | 40 | 140 | 60 | 80 | 2.1 | 3.3 |
| F3SG-4RA0825-25-01TS | 40 | 825 | 8 | 40 | 140 | 65 | 80 | 2.3 | 3.6 |
| F3SG-4RA0905-25-01TS | 44 | 905 | 13 | 65 | 165 | 50 | 80 | 2.5 | 3.8 |
| F3SG-4RA0985-25-01TS | 48 | 985 | 13 | 65 | 165 | 50 | 80 | 2.8 | 4.1 |
| F3SG-4RA1065-25-01TS | 52 | 1065 | 13 | 65 | 165 | 55 | 80 | 3.0 | 4.4 |
| F3SG-4RA1145-25-01TS | 56 | 1145 | 13 | 65 | 165 | 55 | 85 | 3.2 | 4.7 |
| F3SG-4RA1225-25-01TS | 60 | 1225 | 13 | 65 | 165 | 55 | 85 | 3.4 | 5.0 |
| F3SG-4RA1305-25-01TS | 64 | 1305 | 13 | 65 | 165 | 60 | 85 | 3.6 | 5.2 |
| F3SG-4RA1385-25-01TS | 68 | 1385 | 13 | 65 | 165 | 60 | 85 | 3.8 | 5.5 |
| F3SG-4RA1465-25-01TS | 72 | 1465 | 13 | 65 | 165 | 65 | 85 | 4.0 | 5.8 |
| F3SG-4RA1545-25-01TS | 76 | 1545 | 13 | 65 | 165 | 65 | 90 | 4.2 | 6.0 |
| F3SG-4RA1625-25-01TS | 80 | 1625 | 13 | 65 | 165 | 70 | 90 | 4.4 | 6.3 |
| F3SG-4RA1705-25-01TS | 84 | 1705 | 13 | 65 | 165 | 70 | 90 | 4.6 | 6.6 |
| F3SG-4RA1785-25-01TS | 88 | 1785 | 13 | 65 | 165 | 70 | 90 | 4.9 | 6.9 |
| F3SG-4RA1865-25-01TS | 92 | 1865 | 13 | 65 | 165 | 75 | 90 | 5.1 | 7.1 |
| F3SG-4RA1945-25-01TS | 96 | 1945 | 13 | 65 | 165 | 75 | 95 | 5.3 | 7.4 |

*1. The maximum speed of movement of a test rod up to which the detection capability is maintained is 2.0 m/s.

*2. The response times are values when Scan Code is set at Code B. The response times for Code A are 1 ms shorter than these values.

*3. The net weight is the weight of an emitter and a receiver.

*4. The gross weight is the weight of an emitter, a receiver, included accessories and a package.

Legislation and Standards

1. The F3SG-RA-01TS does not receive type approval provided by Article 44-2 of the Industrial Safety and Health Act of Japan. When using the F3SG-RA-01TS in Japan as a "safety system for pressing or shearing machines" prescribed in Article 42 of that law, the machine control system must receive type approval.
2. The F3SG-RA-01TS is electro-sensitive protective equipment (ESPE) in accordance with European Union (EU) Machinery Directive Index Annex V, Item 2.
3. EC Declaration of Conformity
OMRON declares that the F3SG-RA-01TS is in conformity with the requirements of the following EC Directives:
Machinery Directive 2006/42/EC
EMC Directive 2014/30/EU
4. Conforming Standards
 - (1) European standards
EN61496-1 (Type 4 and Type 2 ESPE), EN 61496-2 (Type 4 and Type 2 AOPD), EN61508-1 through -4 (SIL 3 for Type 4 and SIL 1 for Type 2), EN ISO 13849-1:2015 (PL e, Category 4 for Type 4 and PL c, Category 2 for Type 2)
 - (2) International standards
IEC61496-1 (Type 4 and Type 2 ESPE), IEC61496-2 (Type 4 and Type 2 AOPD), IEC61508-1 through -4 (SIL 3 for Type 4 and SIL 1 for Type 2), ISO 13849-1:2015 (PL e, Category 4 for Type 4 and PL c, Category 2 for Type 2)
 - (3) JIS standards
JIS B 9704-1 (Type 4 and Type 2 ESPE), JIS B 9704-2 (Type 4 and Type 2 AOPD)
 - (4) North American standards
UL61496-1 (Type 4 and Type 2 ESPE), UL61496-2 (Type 4 and Type 2 AOPD), UL508, UL1998, CAN/CSA C22.2 No.14, CAN/CSA C22.2 No.0.8
5. Third-Party Certifications
 - (1) TÜV SÜD
 - EC Type-Examination certificate:
EU Machinery Directive, Type 4 and Type 2 ESPE (EN61496-1), Type 4 and Type 2 AOPD (EN 61496-2)
 - Certificate:
Type 4 and Type 2 ESPE (EN61496-1), Type 4 and Type 2 AOPD (EN61496-2), EN 61508-1 through -4 (SIL 3 for Type 4 and SIL 1 for Type 2), EN ISO 13849-1:2015 (PL e, Category 4 for Type 4, and PL c, Category 2 for Type 2)
 - (2) UL
 - UL Listing:
Type 4 and Type 2 ESPE (UL61496-1), Type 4 and Type 2 AOPD (UL61496-2), UL508, UL1998, CAN/CSA C22.2 No.14, CAN/CSA C22.2 No.0.8
6. Other Standards
The F3SG-RA-01TS is designed according to the standards listed below. To make sure that the final system complies with the following standards and regulations, you are asked to design and use it in accordance with all other related standards, laws, and regulations. If you have any questions, consult with specialized organizations such as the body responsible for prescribing and/or enforcing machinery safety regulations in the location where the equipment is to be used.
 - European Standards: EN415-4, EN691-1, EN692, EN693, IEC 62046
 - U.S. Occupational Safety and Health Standards: OSHA 29 CFR 1910.212
 - U.S. Occupational Safety and Health Standards: OSHA 29 CFR 1910.217
 - American National Standards: ANSI B11.1 to B11.19
 - American National Standards: ANSI/RIA R15.06
 - Canadian Standards Association CSA Z142, Z432, Z434
 - SEMI Standards SEMI S2
 - Japan Ministry of Health, Labour and Welfare "Guidelines for Comprehensive Safety Standards of Machinery", Standard Bureau's Notification No. 0731001 dated July 31, 2007.rms and Conditions Agreement

Indicator

Emitter

| Name of Indicator | Color | Illuminated | Blinking |
|-------------------|-------|-----------------------------|--|
| TEST | Green | – | External Test is being performed |
| LONG | Green | Long range mode is selected | Lockout state due to DIP Switch setting error or Operating range selection setting error |
| POWER | Green | Power is ON. | Error due to noise |
| LOCKOUT | Red | – | Lockout state due to error in emitter |

Receiver

| Name of Indicator | Color | Illuminated | Blinking |
|-------------------|-------|--|--|
| TOP | Blue | The top beam is unblocked | Lockout state due to Cap error or Other sensor error |
| NPN | Green | NPN mode is selected by DIP Switch | – |
| CFG | Green | – | Lockout state due to Cascading Configuration error |
| EDM | Green | EDM input is in ON state * | Lockout state due to EDM error |
| INTERNAL | Red | – | Lockout state due to Internal error, or error due to abnormal power supply or noise |
| LOCKOUT | Red | – | Lockout state due to error in receiver |
| STB | Green | Incident light level is 170% or higher of ON-threshold | Safety output is instantaneously turned OFF due to ambient light or vibration |
| ON/OFF | Green | Safety output is in ON state | – |
| | Red | Safety output is in OFF state | Lockout state due to Safety Output error, or error due to abnormal power supply or noise |
| COM | Green | Synchronization between emitter and receiver is maintained | Lockout state due to Communication error, or error due to abnormal power supply or noise |
| BTM | Blue | The bottom beam is unblocked | Lockout state due to DIP Switch setting error |

* The LED is illuminated when the EDM input is in ON state regardless of wiring with EDM used or unused.

Interface Unit

| | |
|-----------------------|---|
| Main unit | PC/AT compatible machine (computer that runs Microsoft Windows) |
| Operating system (OS) | Windows 7 (32-bit/64-bit), Windows 8, 8.1 (32-bit/64-bit), Windows 10 (32-bit/64-bit) |
| Communication port | USB port ×1 |
| Ambient temperature | Operating: -10 to 55°C, Storage: -30 to 70°C(non-icing and non-condensing) |
| Ambient humidity | Operating: 35% to 85%, Storage: 35% to 95%(non-condensing) |

Lamp

| Item | F39-LP |
|----------------------|--|
| Applicable Sensor | F3SG-□RA Series Safety Light Curtain (Receiver) |
| LED Light Color | Red/Orange/Green |
| Power Supply Voltage | 24 VDC±20%, ripple p-p 10% max.(shares sensor's power supply) |
| Current Consumption | 25 mA max. (shares sensor's power supply.) |
| Ambient Temperature | Operating: -10 to 55°C, Storage: -25 to 70°C |
| Ambient Humidity | Operating: 35% to 85%, Storage: 35% to 95% |
| Vibration Resistance | 10 to 55 Hz, Multiple amplitude of 0.7 mm,20 sweeps for all 3 axes |
| Shock Resistance | 100 m/s ² , 1000 shocks for all 3 axes |
| Degree of Protection | IP65 and IP67(When attached to F3SG) |
| Type of Connection | Connectable to F3SG-RA's terminal connector |
| Material | Lighting element: PC, Other body parts: PBT |
| Weight | 45 g (when packaged) |

F3SG-RA-01TS

Connections (Basic Wiring Diagram)

Standalone F3SG-RA-01TS using PNP Outputs

EDM disabled, External Test unused and PNP Outputs

The following is the example of EDM disabled, PNP outputs and External Test unused.

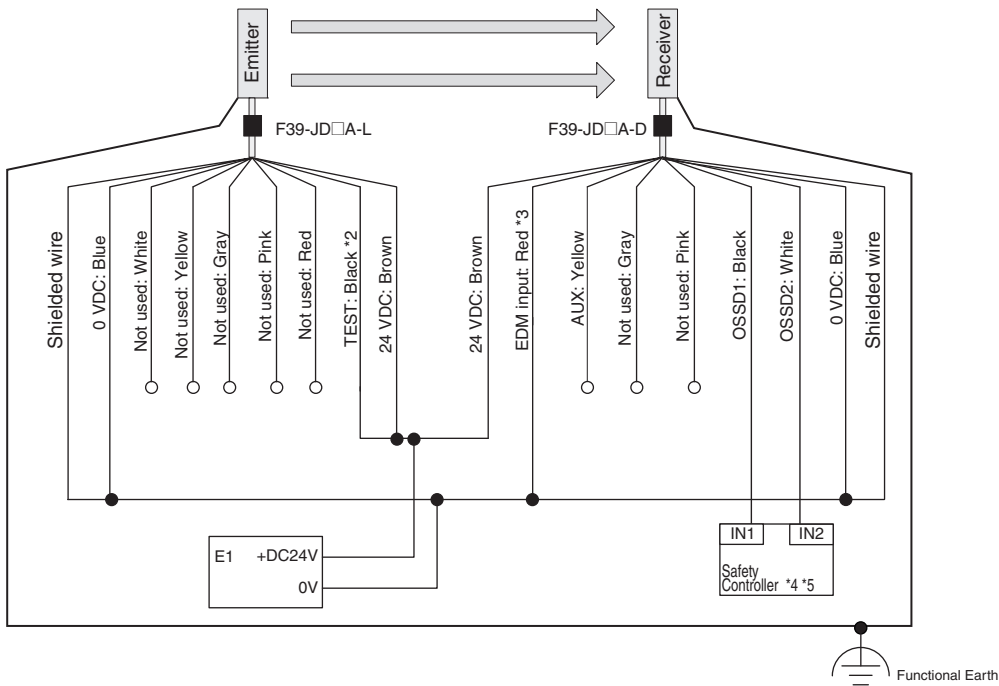
DIP Switch settings *1

| | Function | DIP-SW1 | DIP-SW2 |
|----------|--|--|--|
| Receiver | EDM Disabled (factory default setting) | 2 <input checked="" type="checkbox"/> ON | 2 <input checked="" type="checkbox"/> ON |
| | PNP (factory default setting) | 7 <input checked="" type="checkbox"/> ON | 7 <input checked="" type="checkbox"/> ON |
| Emitter | External Test: 24 V Inactive (factory default setting) | 4 <input checked="" type="checkbox"/> ON | |

: Indicates a switch position.

Configure functions with the DIP Switches before wiring.

Wiring Example



*1. The functions are configurable with DIP Switch. Refer to *Safety Light Curtain F3SG-4RA□□□□-25-01TS Series User's Manual* for more information on setting the functions by the DIP Switch.

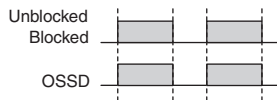
*2. When the external test function is used, connect to 24V via the test switch (N.C. contact).

*3. Also used for the lockout reset input. When using the lockout reset function, connect to 24V via lockout reset switch (N.C. contact).

*4. Refer to page 106 for more information.

*5. The safety controller and the F3SG-RA-01TS must share the power supply or be connected to the common terminal of the power supply.

E1: 24VDC power supply (S8VS)



Note: Functional earth connection is unnecessary when you use the F3SG-RA-01TS in a general industrial environment where noise control or stable power supply is considered. However, when you use the F3SG-RA-01TS in an environment where there may be excessive noise from surroundings or stable power supply may be interfered, it is recommended the F3SG-RA-01TS be connected to functional earth. The wiring examples in later examples do not indicate functional earth. To use functional earth, wire an earth cable according to the example above. Refer to *Safety Light Curtain F3SG-4RA□□□□-25-01TS Series User's Manual* for more information.

Standalone F3SG-RA-01TS using NPN Outputs

EDM enabled, External Test 0V Inactive and NPN Outputs

The following is the example of External Device Monitoring enabled, NPN outputs and External Test in 0 V Inactive.

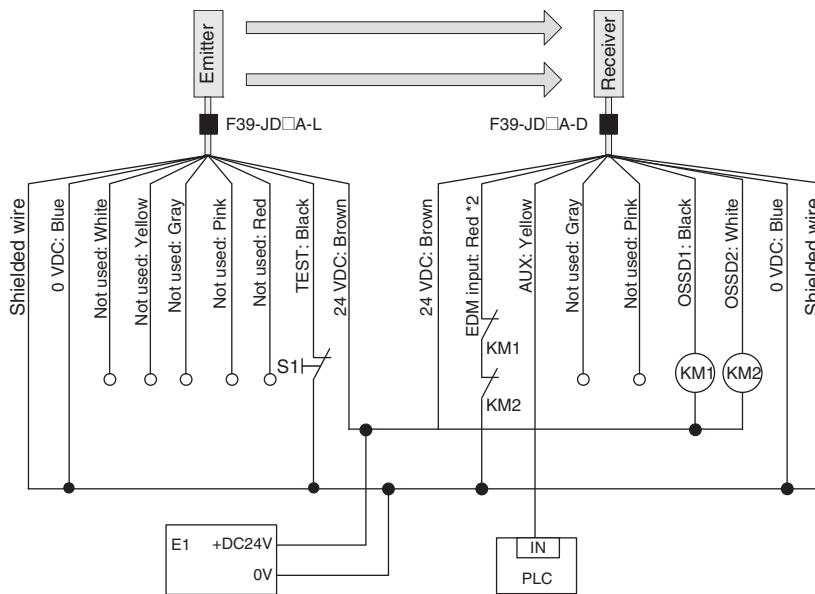
DIP Switch settings *1

| | Function | DIP-SW1 | DIP-SW2 |
|----------|-----------------------------|--|--|
| Receiver | EDM Enabled | 2 <input checked="" type="checkbox"/> ON | 2 <input checked="" type="checkbox"/> ON |
| | NPN | 7 <input checked="" type="checkbox"/> ON | 7 <input checked="" type="checkbox"/> ON |
| Emitter | External Test: 0 V Inactive | 4 <input checked="" type="checkbox"/> ON | |

Indicates a switch position.

Configure functions with the DIP Switches before wiring.

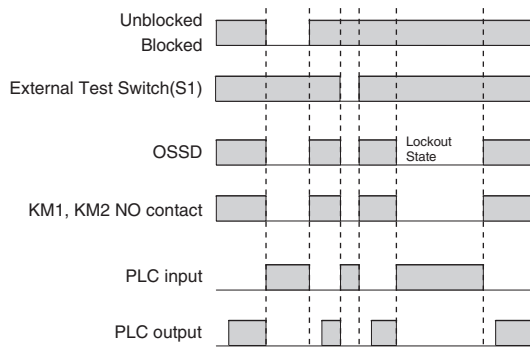
Wiring Example



*1. The functions are configurable with DIP Switch. Refer to *Safety Light Curtain F3SG-4RA□□□□-25-01TS Series User's Manual* for more information on setting the functions by the DIP Switch.

*2. Also used for the lockout reset input. When using the lockout reset function connect to 0V via lockout reset switch (N.C. contact).

- S1: External test switch (connect to 0V if a switch is not required)
- KM1, KM2: Safety relay with forcibly guided contacts (G7SA) or magnetic contactor
- E1: 24VDC power supply (S8VS)
- PLC: Programmable controller (Used for monitoring -- not related to safety system)



Note: For the functional earth connection, refer to page 104.

F3SG-RA-01TS

F3SG-RA-01TS

Connectable Safety Control Units

The F3SG-RA-01TS with PNP output can be connected to the safety control units listed in the table below.

| Connectable Safety Control Units (PNP output) | | |
|--|---|--|
| Safety Relay Units | Flexible Safety Units | Safety Controllers |
| G9SA-301 G9SA-321-T□ G9SA-501 G9SB-200-B G9SB-200-D G9SB-301-B G9SB-301-D G9SE-201 G9SE-401 G9SE-221-T□ | G9SX-AD322-T G9SX-ADA222-T G9SX-BC202 G9SX-GS226-T15 | G9SP-N10S G9SP-N10D G9SP-N20S NE0A-SCPU01 NE1A-SCPU01 NE1A-SCPU02 DST1-ID12SL-1 DST1-MD16SL-1 DST1-MRD08SL-1 NX-SIH400 NX-SID800 F3SP-T01 |

The F3SG-R with NPN output can be connected to the safety control unit listed in the table below.

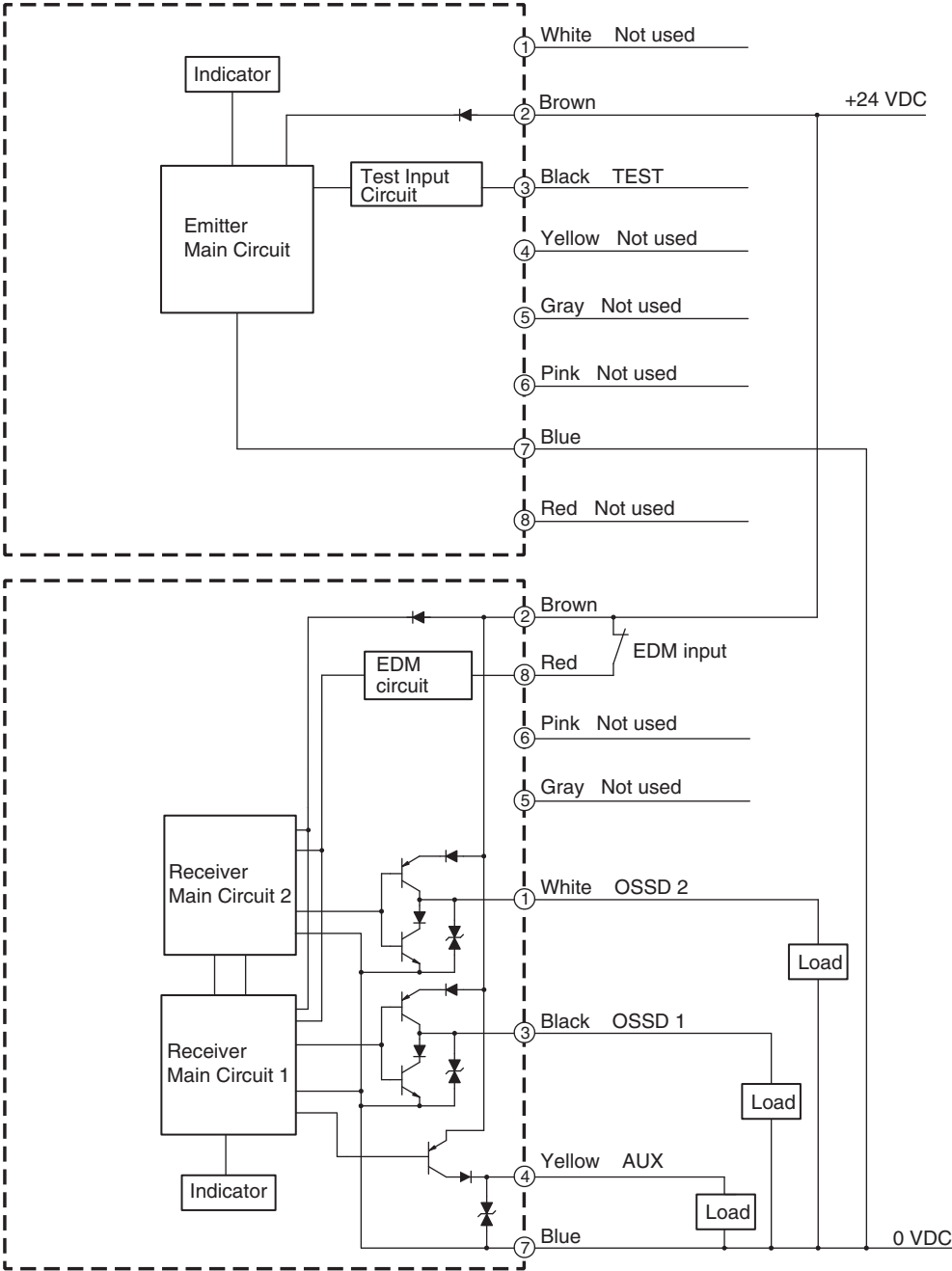
| Connectable Safety Control Units (NPN output) |
|---|
| Safety Relay Units |
| G9SA-301-P |

Input/Output Circuit

Entire Circuit Diagram

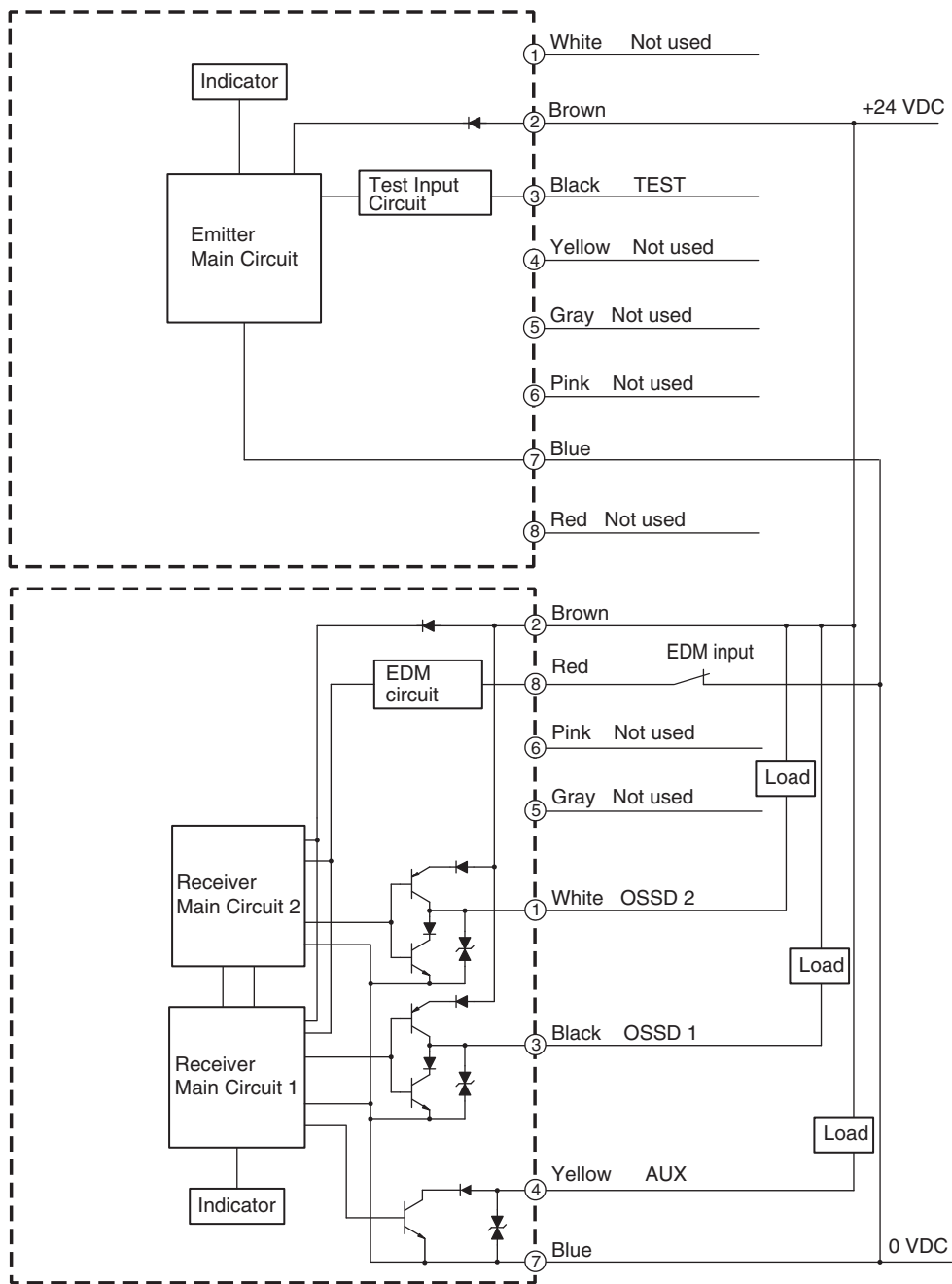
The entire circuit diagram of the F3SG-RA-01TS is shown below. The numbers in the circles indicate the connector's pin numbers.

PNP Output



F3SG-RA-01TS

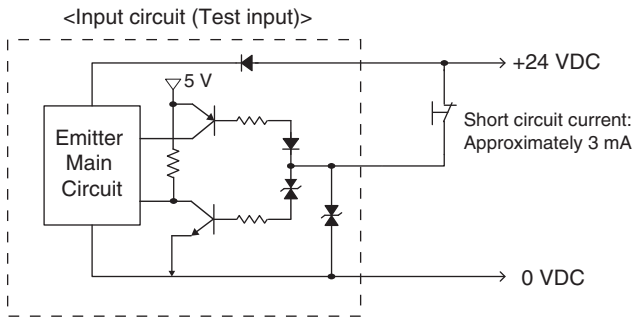
NPN Output



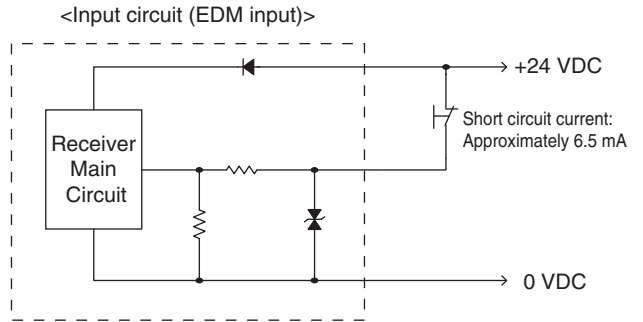
Input Circuit Diagram by Function

The input circuit diagrams of by function are shown below.

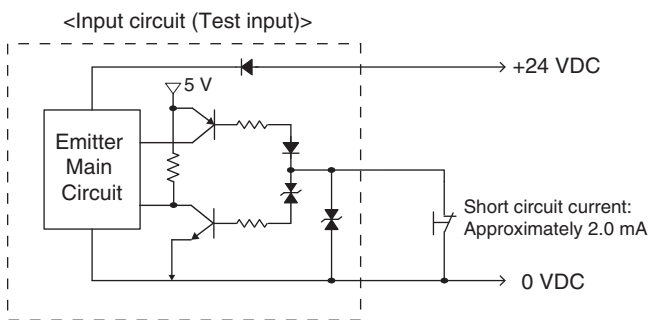
24V Inactive



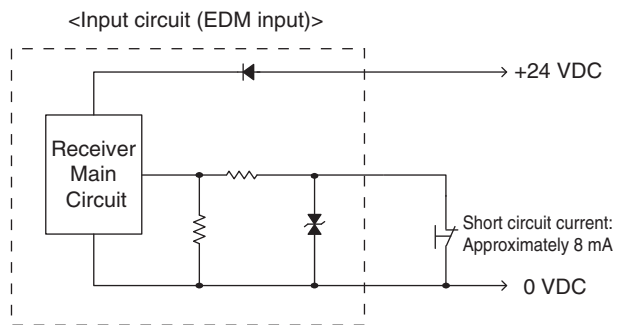
PNP Output



0V Inactive

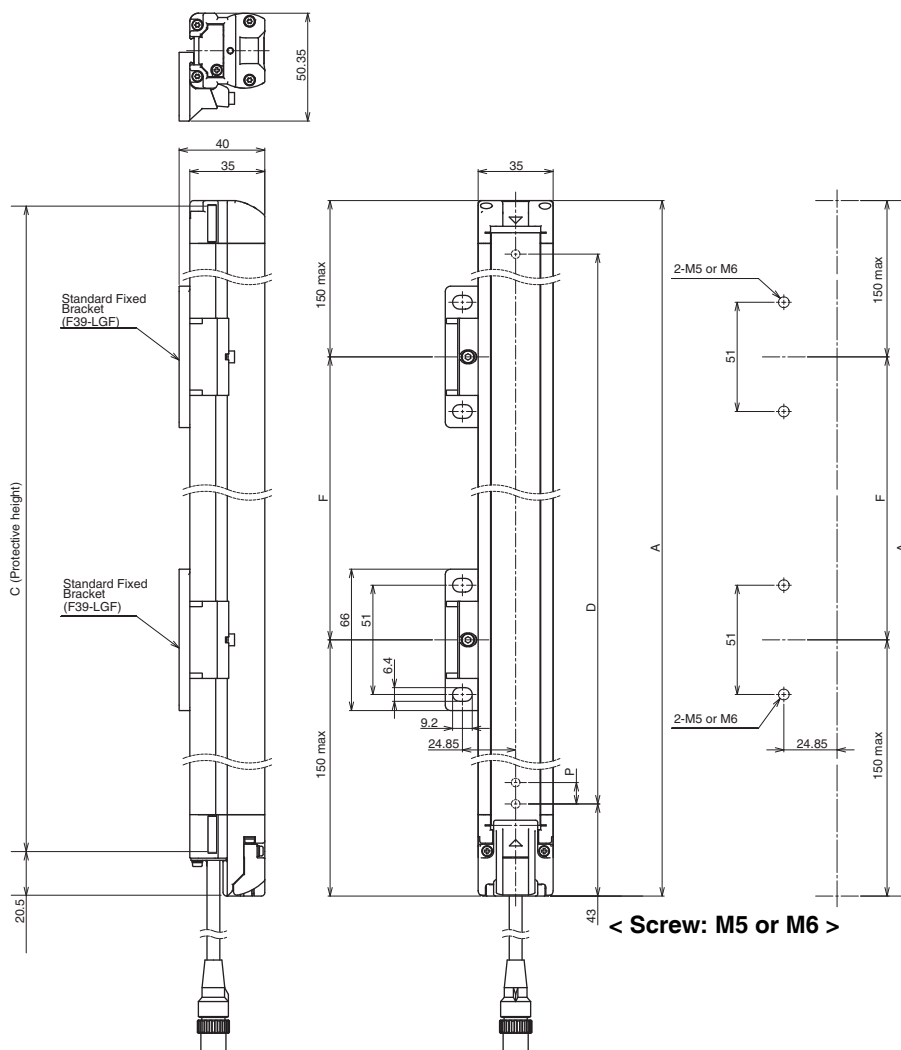


NPN Output



*Short circuit current: 5mA (Reset input), 3mA (Muting inputs A/B)

Mounted with Standard Fixed Brackets (F39-LGF) Backside Mounting



F3SG-4RA□□□□-25-01TS Series

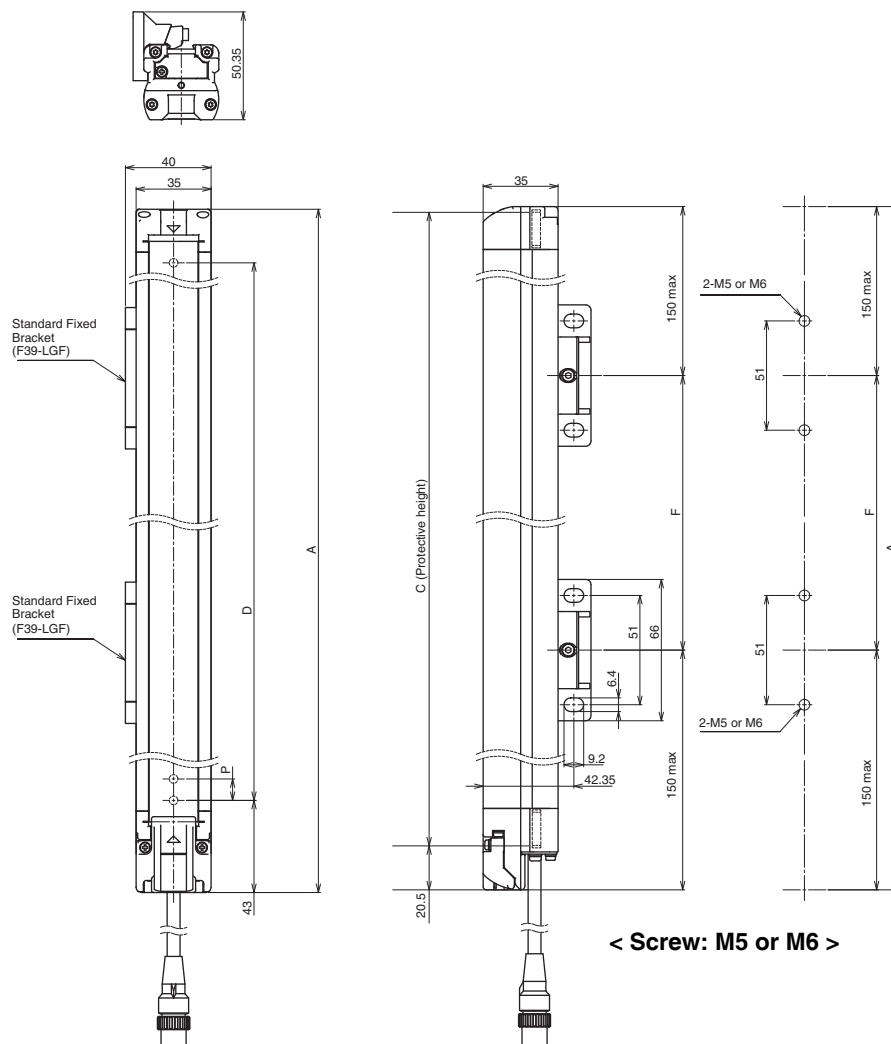
| | |
|-------------|--|
| Dimension A | C+23 |
| Dimension C | 4-digit number of the type name (Protective height) |
| Dimension D | C-45 |
| Dimension P | 20 |

| Protective height (C1) | Number of Standard Fixed Brackets *1 | Dimension F |
|------------------------|--------------------------------------|--------------|
| 0185 to 1225 | 2 *2 | 1000 mm max. |
| 1305 to 1945 | 3 | 1000 mm max. |

*1. The number of brackets required to mount either one of emitter and receiver.

*2. Mounting an emitter or receiver with one bracket is possible for the models of protective height of 0185 or 0265. In this case, locate this bracket at half the Dimension A (or at the center of the sensor length).

Side Mounting



F3SG-4RA□□□□-25-01TS Series

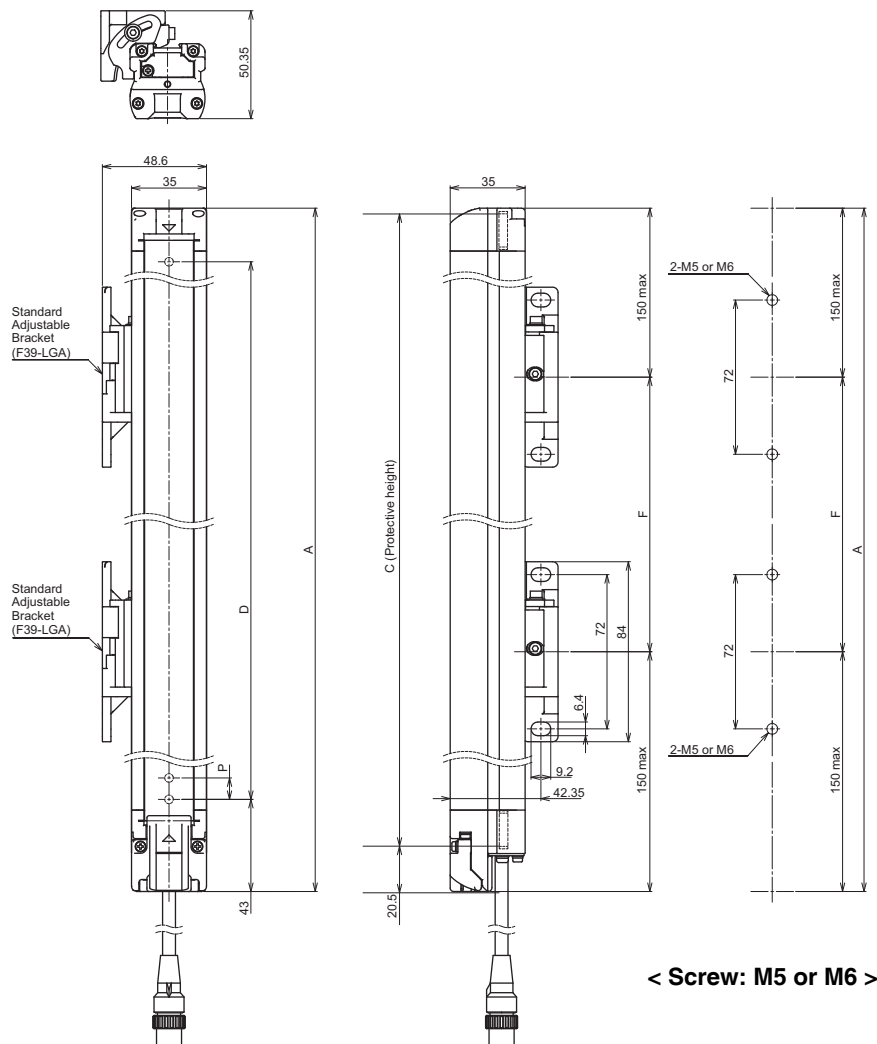
| | |
|-------------|---|
| Dimension A | C+23 |
| Dimension C | 4-digit number of the type name (Protective height) |
| Dimension D | C-45 |
| Dimension P | 20 |

| Protective height (C1) | Number of Standard Fixed Brackets *1 | Dimension F |
|------------------------|--------------------------------------|--------------|
| 0185 to 1225 | 2 *2 | 1000 mm max. |
| 1305 to 1945 | 3 | 1000 mm max. |

- *1. The number of brackets required to mount either one of emitter and receiver.
- *2. Mounting an emitter or receiver with one bracket is possible for the models of protective height of 0185 or 0265. In this case, locate this bracket at half the Dimension A (or at the center of the sensor length).

F3SG-RA-01TS

Side Mounting



< Screw: M5 or M6 >

F3SG-4RA□□□□-25-01TS Series

| | |
|-------------|---|
| Dimension A | C+23 |
| Dimension C | 4-digit number of the type name (Protective height) |
| Dimension D | C-45 |
| Dimension P | 20 |

| Protective height (C) | Number of Standard Adjustable Brackets *1 | Dimension F |
|-----------------------|---|--------------|
| 0185 to 1225 | 2 *2 | 1000 mm max. |
| 1305 to 1945 | 3 | 1000 mm max. |

- *1. The number of brackets required to mount either one of emitter and receiver.
- *2. Mounting an emitter or receiver with one bracket is possible for the models of protective height of 0185 or 0265. In this case, locate this bracket at half the Dimension A (or at the center of the sensor length).

F3SG-RA-01TS

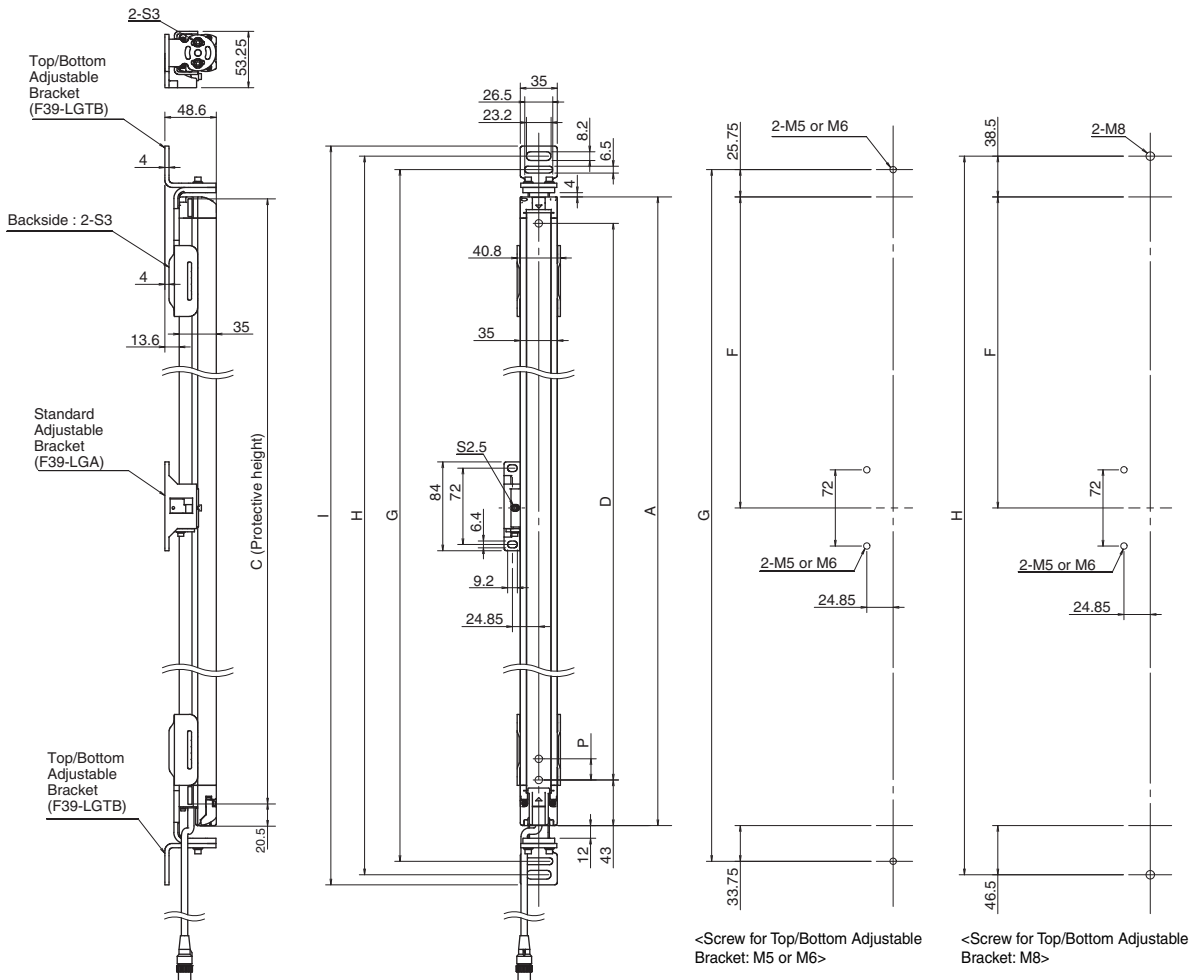
F3SG-RA-01TS

Mounted with Top/Bottom Adjustable Brackets (F39-LGTB) and Standard Adjustable Brackets (F39-LGA)

Dimensions when using the F3SG-RA Series except the F3SG-4RA0185-25-01TS.

Refer to *Safety Light Curtain F3SG-4RA□□□□-25-01TS Series User's Manual* for the dimensions when using the F3SG-4RA0185-25-01TS.

Backside Mounting



<Screw for Top/Bottom Adjustable Bracket: M5 or M6>

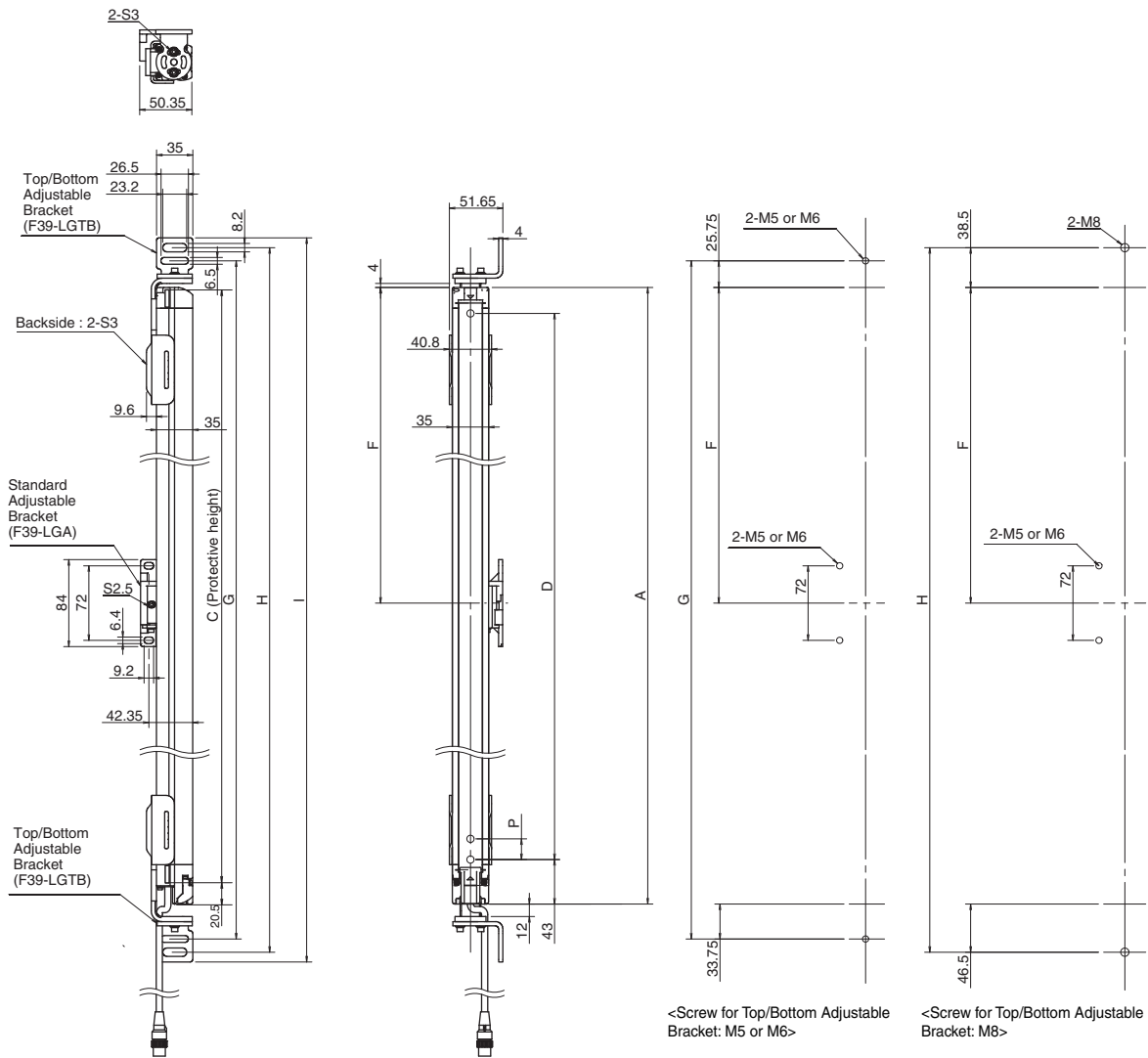
<Screw for Top/Bottom Adjustable Bracket: M8>

F3SG-4RA□□□□-25-01TS Series (Except for 0185)

| | Optional accessory not connected | Optional accessory connected | | |
|-------------|---|---|---------|--------------------|
| | | F39-JGR2WTS | F39-BT | F39-LP F39-BTLP |
| Dimension A | C+23 | C+23 | | |
| Dimension C | 4-digit number of the type name (Protective height) | 4-digit number of the type name (Protective height) | | |
| Dimension D | C-45 | C-45 | | |
| Dimension G | C+82.5 | C+85.5 | C+96 | C+107.5 |
| Dimension H | C+108 | C+111 | C+121.5 | C+133 |
| Dimension I | C+127 | C+130 | C+140.5 | C+152 |
| Dimension P | 20 | 20 | | |

| Protective height (C) | Number of Standard Adjustable Brackets | Number of Standard Adjustable Brackets | Dimension F |
|-----------------------|--|--|--------------|
| 0265 to 1065 | 2 | 0 | - |
| 1145 to 1945 | 2 | 1 | 1000 mm max. |

Side Mounting



<Screw for Top/Bottom Adjustable Bracket: M5 or M6>

<Screw for Top/Bottom Adjustable Bracket: M8>

F3SG-4RA□□□□-25-01TS Series (Except for 0185)

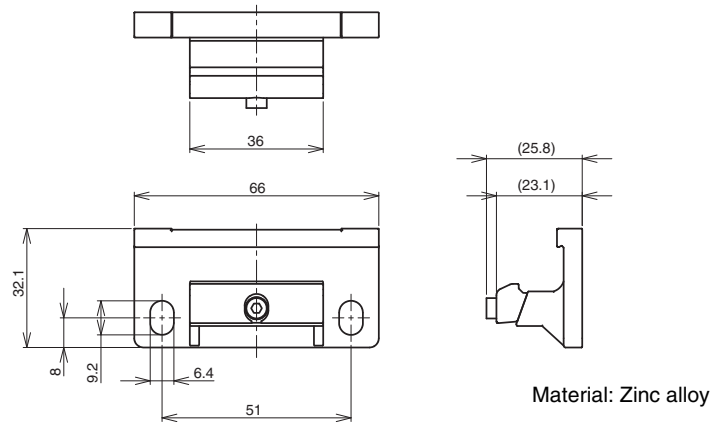
| | Optional accessory not connected | Optional accessory connected | | |
|-------------|---|---|---------|--------------------|
| | | F39-JGR2WTS | F39-BT | F39-LP F39-BTLP |
| Dimension A | C+23 | C+23 | | |
| Dimension C | 4-digit number of the type name (Protective height) | 4-digit number of the type name (Protective height) | | |
| Dimension D | C-45 | C-45 | | |
| Dimension G | C+82.5 | C+85.5 | C+96 | C+107.5 |
| Dimension H | C+108 | C+111 | C+121.5 | C+133 |
| Dimension I | C+127 | C+130 | C+140.5 | C+152 |
| Dimension P | 20 | 20 | | |

| Protective height (C) | Number of Standard Adjustable Brackets | Number of Standard Adjustable Brackets | Dimension F |
|-----------------------|--|--|--------------|
| 0265 to 1065 | 2 | 0 | - |
| 1145 to 1945 | 2 | 1 | 1000 mm max. |

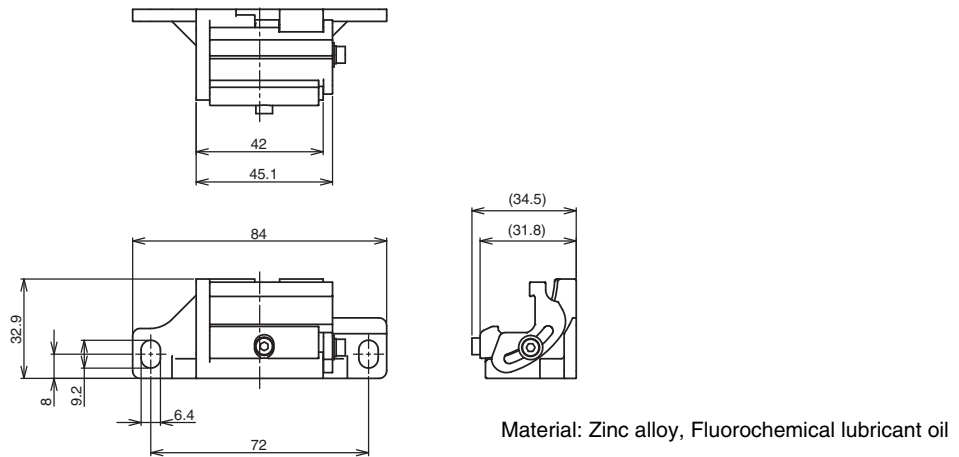
Accessories

Sensor Mounting Brackets

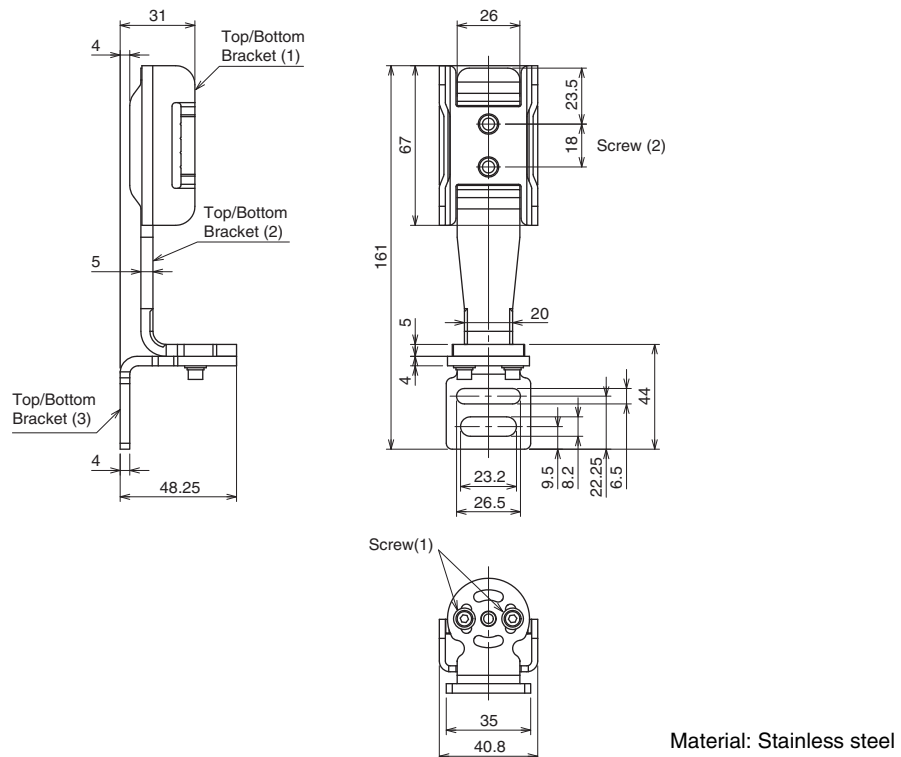
Standard Fixed Bracket (F39-LGF, sold separately)



Standard Adjustable Bracket (F39-LGA, sold separately)

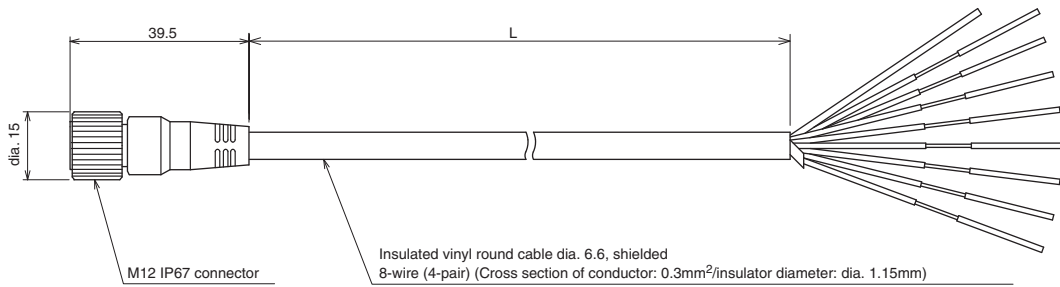


Top/Bottom Adjustable Bracket (F39-LGTB, sold separately)

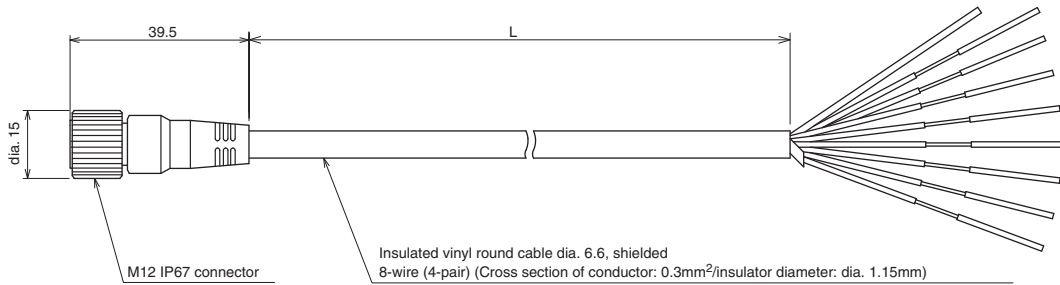


Safety light curtain connecting cable

Single-Ended Cable for Emitter (F39-JD□A-L, sold separately)

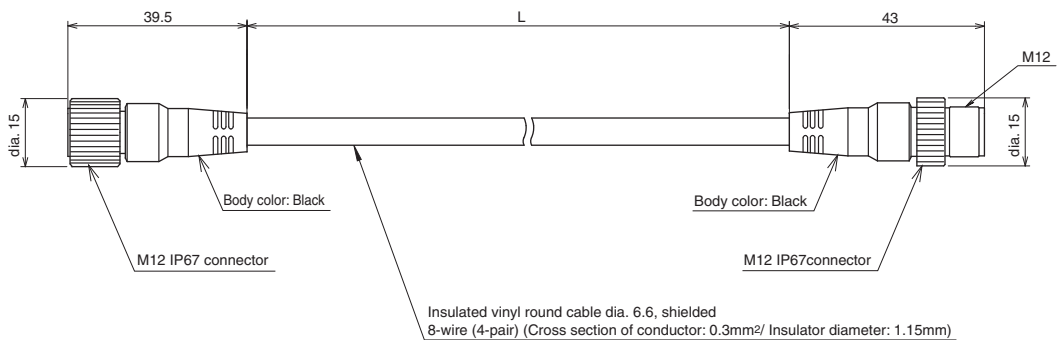


Single-Ended Cable for Receiver (F39-JD□A-D, sold separately)

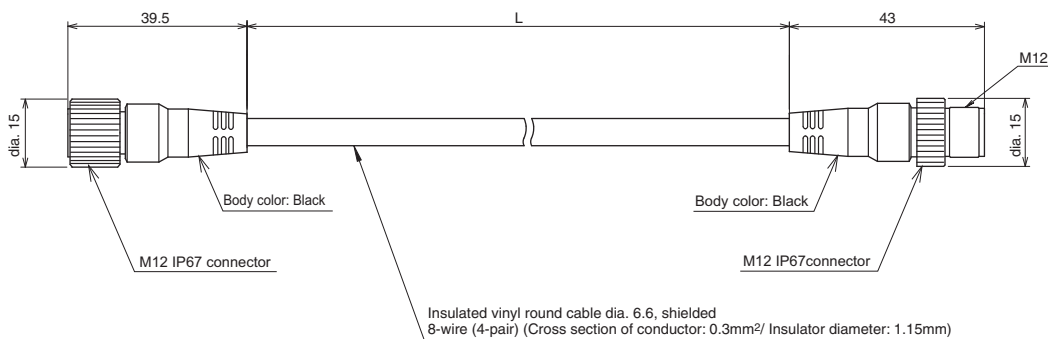


| Emitter cable (Gray) | Receiver cable (Black) | L (m) |
|----------------------|------------------------|-------|
| F39-JD3A-L | F39-JD3A-D | 3 |
| F39-JD7A-L | F39-JD7A-D | 7 |
| F39-JD10A-L | F39-JD10A-D | 10 |
| F39-JD15A-L | F39-JD15A-D | 15 |
| F39-JD20A-L | F39-JD20A-D | 20 |

Double-Ended Cable for Emitter: Cable for extension (F39-JD□B-L, sold separately)



Double-Ended Cable for Receiver: Cable for extension (F39-JD□B-D, sold separately)

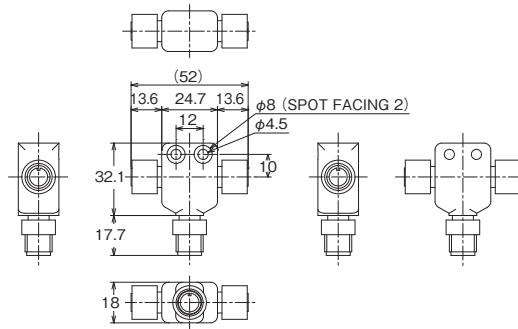


| Emitter cable (Gray) | Receiver cable (Black) | L (m) |
|----------------------|------------------------|-------|
| F39-JDR5B-L | F39-JDR5B-D | 0.5 |
| F39-JD1B-L | F39-JD1B-D | 1 |
| F39-JD3B-L | F39-JD3B-D | 3 |
| F39-JD5B-L | F39-JD5B-D | 5 |
| F39-JD7B-L | F39-JD7B-D | 7 |
| F39-JD10B-L | F39-JD10B-D | 10 |
| F39-JD15B-L | F39-JD15B-D | 15 |
| F39-JD20B-L | F39-JD20B-D | 20 |

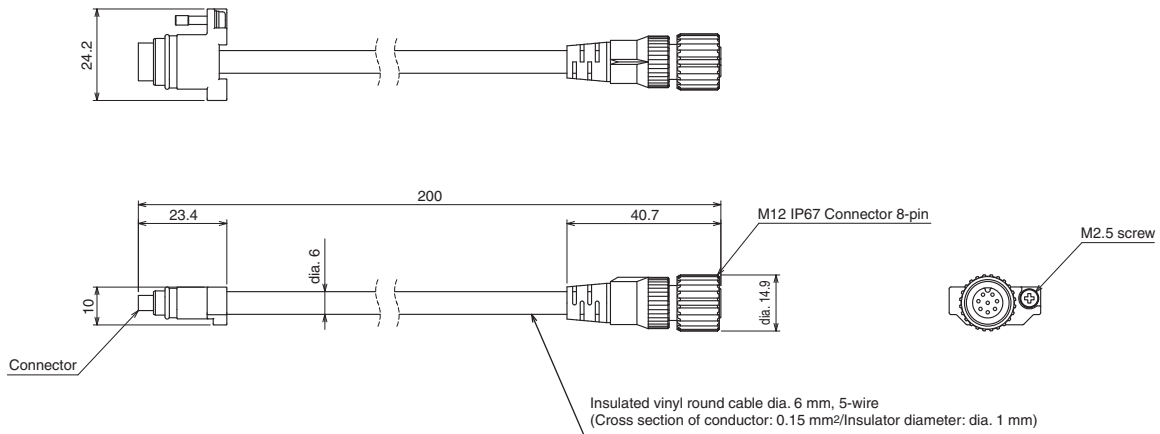
F3SG-RA-01TS

F3SG-RA-01TS

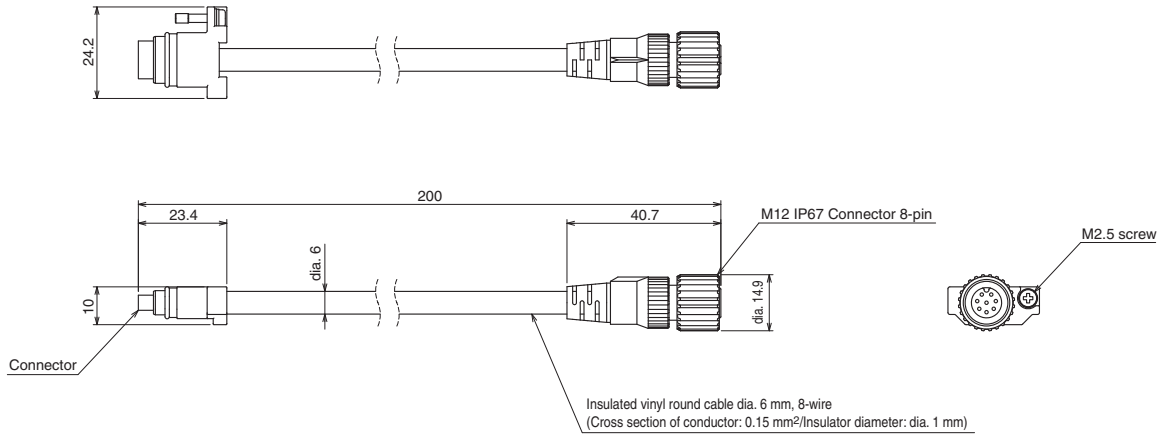
Reduced Wiring Connector (F39-CN5, sold separately)



Cascading Cable for Emitter (F39-JGR2WTS-L, sold separately)

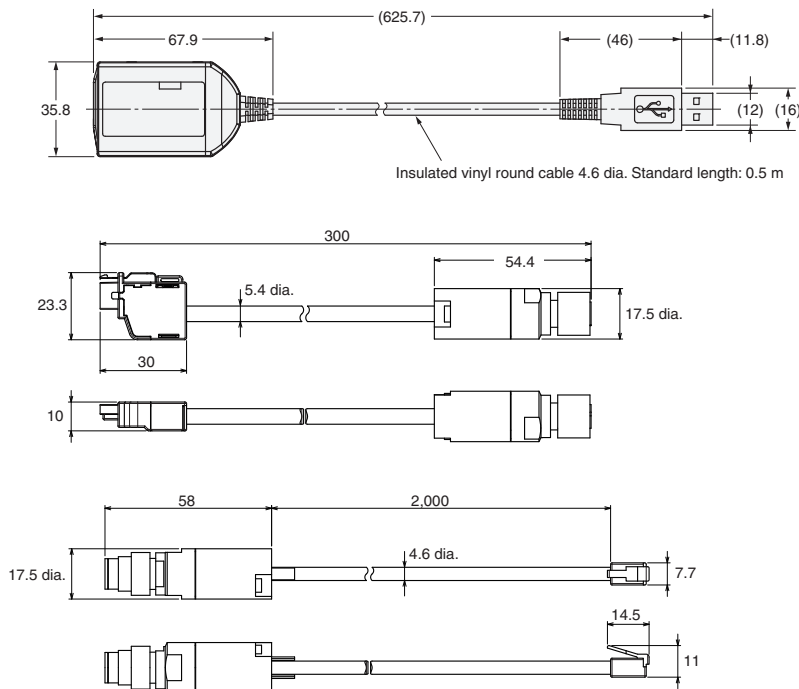


Cascading Cable for Receiver (F39-JGR2WTS-D, sold separately)

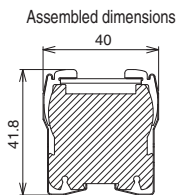


| Set model name | Emitter cable (Gray) | Receiver cable (Black) | L (m) |
|----------------|----------------------|------------------------|-------|
| F39-JGR2WTS | F39-JGR2WTS-L | F39-JGR2WTS-D | 0.2 |

Interface Unit (F39-GIF, sold separately)



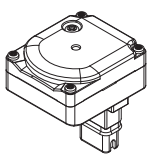
Spatter Protection Cover (F39-HGA, sold separately)



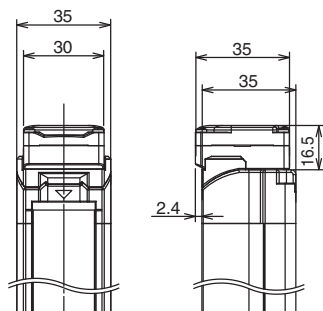
| Model | Total length |
|-------------|--------------|
| F39-HGA□□□□ | □□□□+4 |
| F39-HGA0550 | 558 |

Material: PC (Transparent cover)
 ABS (Side wall)
 Stainless steel (Bracket)
 Aluminum adhesive tape
 (Fixing sticker)

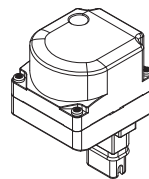
Bluetooth Communication Unit (F39-BT, sold separately)



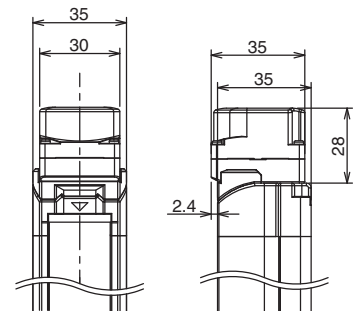
Material: PBT



**Lamp and Bluetooth Communication Unit (F39-BTLP, sold separately)
 Lamp (F39-LP, sold separately)**



Material:
 PC (Lighting element)
 PBT (Other body parts)



Related Manuals

| ManNo. | Model | Manual name |
|--------|----------------------|--|
| Z380 | F3SG-4RA□□□□-25-01TS | Safety Light Curtain F3SG-4RA□□□□-25-01TS Series User's Manual |

F3SG-RA-01TS

Safety Light Curtain

F3SG-RA-02TS

Enhanced Cutting Oil Resistance

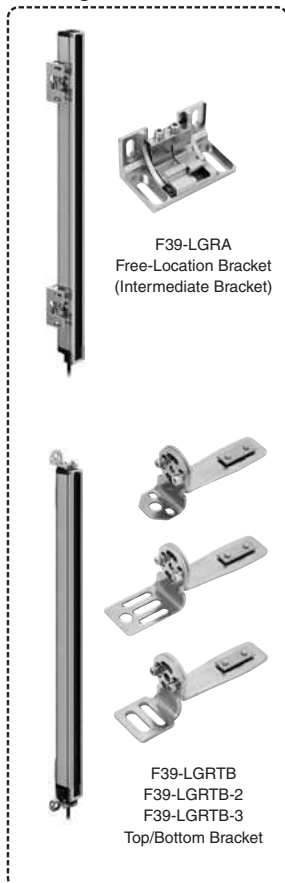
- Mechanical seal structure prevents cutting oil from getting inside
- Special materials and cables significantly enhanced oil resistance
- Rugged and compact housing. Perfect fit installation
- IP67G (JIS C 0920 Annex 1) rated
- Prevents accidental changes of settings by configuration tool (monitoring only)



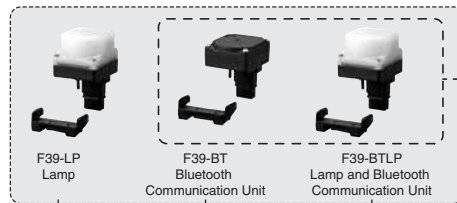
NEW

System Configuration

Mounting bracket

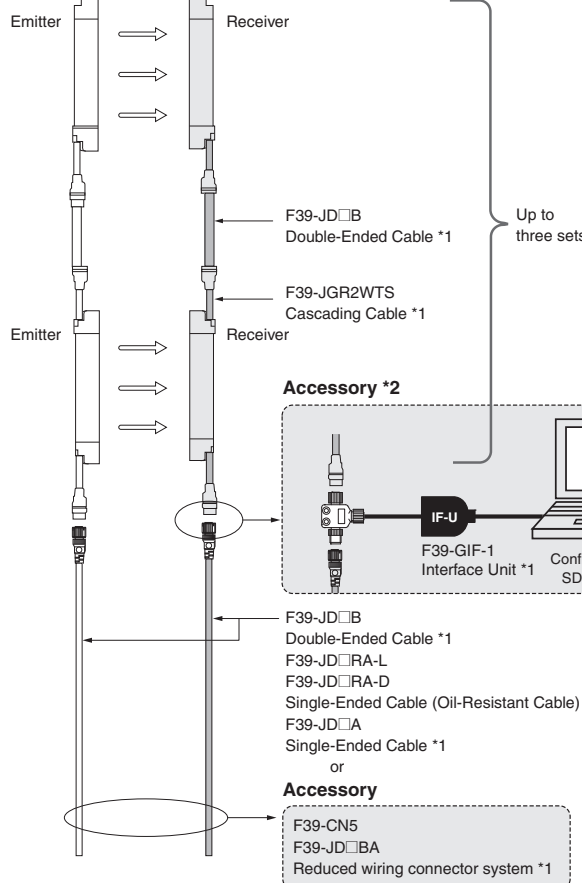


Accessory *1



Bluetooth

Accessory



Recommended safety controller *3

NX/NE1A-series
Safety Network Controller

G9SP-series
Safety Controller

G9SE/G9SA-series
Safety Relay Unit

G9SX-series
Flexible Safety Unit

G7SA/G7S-E
Relays with Forcibly
Guided Contacts

- *1. When the accessory is used, protect it from cutting oil.
 *2. The F3SG-RA-02TS provides only the monitoring functionality.
 *3. The recommended safety controller is required to build a safety circuit using emergency stop switches and door switches.

Ordering Information

Main Units


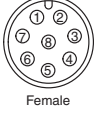
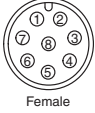
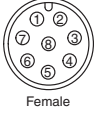
Safety Light Curtain

Hand and arm protection

| Number of beams | Protective height (mm) | Model |
|-----------------|------------------------|----------------------|
| 12 | 240 | F3SG-4RA0240-25-02TS |
| 16 | 320 | F3SG-4RA0320-25-02TS |
| 20 | 400 | F3SG-4RA0400-25-02TS |
| 24 | 480 | F3SG-4RA0480-25-02TS |
| 28 | 560 | F3SG-4RA0560-25-02TS |
| 32 | 640 | F3SG-4RA0640-25-02TS |
| 36 | 720 | F3SG-4RA0720-25-02TS |
| 40 | 800 | F3SG-4RA0800-25-02TS |
| 44 | 880 | F3SG-4RA0880-25-02TS |
| 48 | 960 | F3SG-4RA0960-25-02TS |
| 52 | 1,040 | F3SG-4RA1040-25-02TS |
| 56 | 1,120 | F3SG-4RA1120-25-02TS |
| 60 | 1,200 | F3SG-4RA1200-25-02TS |
| 64 | 1,280 | F3SG-4RA1280-25-02TS |
| 68 | 1,360 | F3SG-4RA1360-25-02TS |
| 72 | 1,440 | F3SG-4RA1440-25-02TS |
| 76 | 1,520 | F3SG-4RA1520-25-02TS |
| 80 | 1,600 | F3SG-4RA1600-25-02TS |
| 84 | 1,680 | F3SG-4RA1680-25-02TS |
| 88 | 1,760 | F3SG-4RA1760-25-02TS |
| 92 | 1,840 | F3SG-4RA1840-25-02TS |
| 96 | 1,920 | F3SG-4RA1920-25-02TS |






Accessories (Sold separately)

Safety light curtain connecting cable Single-Ended Cable (Oil-Resistant Cable)

| Appearance | Type | Cable length | Specifications | Model | | | | | | | | | | | | | | | | | | | | | | | | |
|---|--|--|---|----------|--------|----------|---------|---------|---------|--------|--------|--------|--------|-----|----------|------------|------------|----------|------------|------------|----------|-------|-------|-------|-----|--------------------|--------------------|--------------------|
|  | For emitter M12 connector (8-pin), 5 wires Color: Gray | 3m | For emitter, M12 connector (8-pin), Color: Gray Connected to Power Cable or Double-Ended Cable  <table border="1"> <tr><td>1</td><td>-</td><td>Not used</td></tr> <tr><td>2</td><td>Brown</td><td>+24 VDC</td></tr> <tr><td>3</td><td>Black</td><td>TEST</td></tr> <tr><td>4</td><td>-</td><td>Not used</td></tr> <tr><td>5</td><td>Gray</td><td>Not used</td></tr> <tr><td>6</td><td>Pink</td><td>Not used</td></tr> <tr><td>7</td><td>Blue</td><td>0 VDC</td></tr> <tr><td>8</td><td>-</td><td>Not used</td></tr> </table> | 1 | - | Not used | 2 | Brown | +24 VDC | 3 | Black | TEST | 4 | - | Not used | 5 | Gray | Not used | 6 | Pink | Not used | 7 | Blue | 0 VDC | 8 | - | Not used | F39-JD3RA-L |
| | | 1 | - | Not used | | | | | | | | | | | | | | | | | | | | | | | | |
| | 2 | Brown | +24 VDC | | | | | | | | | | | | | | | | | | | | | | | | | |
| | 3 | Black | TEST | | | | | | | | | | | | | | | | | | | | | | | | | |
| 4 | - | Not used | | | | | | | | | | | | | | | | | | | | | | | | | | |
| 5 | Gray | Not used | | | | | | | | | | | | | | | | | | | | | | | | | | |
| 6 | Pink | Not used | | | | | | | | | | | | | | | | | | | | | | | | | | |
| 7 | Blue | 0 VDC | | | | | | | | | | | | | | | | | | | | | | | | | | |
| 8 | - | Not used | | | | | | | | | | | | | | | | | | | | | | | | | | |
| 7m | For receiver, M12 connector (8-pin), Color: Black Connected to Power Cable or Double-Ended Cable  <table border="1"> <tr><td>1</td><td>White</td><td>OSSD 2</td></tr> <tr><td>2</td><td>Brown</td><td>+24 VDC</td></tr> <tr><td>3</td><td>Black</td><td>OSSD 1</td></tr> <tr><td>4</td><td>Yellow</td><td>AUX</td></tr> <tr><td>5</td><td>Gray</td><td>PC COM (+)</td></tr> <tr><td>6</td><td>Pink</td><td>PC COM (-)</td></tr> <tr><td>7</td><td>Blue</td><td>0 VDC</td></tr> <tr><td>8</td><td>Red</td><td>EDM</td></tr> </table> | 1 | White | OSSD 2 | 2 | Brown | +24 VDC | 3 | Black | OSSD 1 | 4 | Yellow | AUX | 5 | Gray | PC COM (+) | 6 | Pink | PC COM (-) | 7 | Blue | 0 VDC | 8 | Red | EDM | F39-JD7RA-L | | |
| 1 | White | OSSD 2 | | | | | | | | | | | | | | | | | | | | | | | | | | |
| 2 | Brown | +24 VDC | | | | | | | | | | | | | | | | | | | | | | | | | | |
| 3 | Black | OSSD 1 | | | | | | | | | | | | | | | | | | | | | | | | | | |
| 4 | Yellow | AUX | | | | | | | | | | | | | | | | | | | | | | | | | | |
| 5 | Gray | PC COM (+) | | | | | | | | | | | | | | | | | | | | | | | | | | |
| 6 | Pink | PC COM (-) | | | | | | | | | | | | | | | | | | | | | | | | | | |
| 7 | Blue | 0 VDC | | | | | | | | | | | | | | | | | | | | | | | | | | |
| 8 | Red | EDM | | | | | | | | | | | | | | | | | | | | | | | | | | |
| For receiver M12 connector (8-pin), 8 wires Color: Black | 3m | For receiver, M12 connector (8-pin), Color: Black Connected to Power Cable or Double-Ended Cable  <table border="1"> <tr><td>1</td><td>White</td><td>OSSD 2</td></tr> <tr><td>2</td><td>Brown</td><td>+24 VDC</td></tr> <tr><td>3</td><td>Black</td><td>OSSD 1</td></tr> <tr><td>4</td><td>Yellow</td><td>AUX</td></tr> <tr><td>5</td><td>Gray</td><td>PC COM (+)</td></tr> <tr><td>6</td><td>Pink</td><td>PC COM (-)</td></tr> <tr><td>7</td><td>Blue</td><td>0 VDC</td></tr> <tr><td>8</td><td>Red</td><td>EDM</td></tr> </table> | 1 | White | OSSD 2 | 2 | Brown | +24 VDC | 3 | Black | OSSD 1 | 4 | Yellow | AUX | 5 | Gray | PC COM (+) | 6 | Pink | PC COM (-) | 7 | Blue | 0 VDC | 8 | Red | EDM | F39-JD3RA-D | |
| | 1 | White | OSSD 2 | | | | | | | | | | | | | | | | | | | | | | | | | |
| 2 | Brown | +24 VDC | | | | | | | | | | | | | | | | | | | | | | | | | | |
| 3 | Black | OSSD 1 | | | | | | | | | | | | | | | | | | | | | | | | | | |
| 4 | Yellow | AUX | | | | | | | | | | | | | | | | | | | | | | | | | | |
| 5 | Gray | PC COM (+) | | | | | | | | | | | | | | | | | | | | | | | | | | |
| 6 | Pink | PC COM (-) | | | | | | | | | | | | | | | | | | | | | | | | | | |
| 7 | Blue | 0 VDC | | | | | | | | | | | | | | | | | | | | | | | | | | |
| 8 | Red | EDM | | | | | | | | | | | | | | | | | | | | | | | | | | |
| 7m | IP67 and IP67G (JIS C 0920 Annex 1)* rated when mated. * F3SG-RA-02TS meets the degree of protection when this cable is correctly connected with the power cable of the F3SG-RA-02TS. The degree of protection is not satisfied with the part where cable wires are uncovered. | F39-JD7RA-D | | | | | | | | | | | | | | | | | | | | | | | | | | |

Note: To extend the cable length to more than 7 m, add the F39-JD□B Double-Ended Cable.
When the Double-Ended Cable is used, protect it from cutting oil.

Single-Ended Cable (2 cables per set, one for emitter and one for receiver) *

| Appearance | Cable length | Specifications | Model | | | | | | | | | | | | | | | | | | | | | | | | |
|---|---|---|----------|--------|----------|-------|---------|---------|-------|--------|------|--------|--------|----------|------|------------|----------|------|------------|----------|------|-------|-------|-----|-----|------------------|-----------------|
|  | 3m | For emitter M12 connector (8-pin), Color: Gray Connected to Power Cable or Double-Ended Cable  <table border="1"> <tr><td>1</td><td>White</td><td>Not used</td></tr> <tr><td>2</td><td>Brown</td><td>+24 VDC</td></tr> <tr><td>3</td><td>Black</td><td>TEST</td></tr> <tr><td>4</td><td>Yellow</td><td>Not used</td></tr> <tr><td>5</td><td>Gray</td><td>Not used</td></tr> <tr><td>6</td><td>Pink</td><td>Not used</td></tr> <tr><td>7</td><td>Blue</td><td>0 VDC</td></tr> <tr><td>8</td><td>Red</td><td>Not used</td></tr> </table> | 1 | White | Not used | 2 | Brown | +24 VDC | 3 | Black | TEST | 4 | Yellow | Not used | 5 | Gray | Not used | 6 | Pink | Not used | 7 | Blue | 0 VDC | 8 | Red | Not used | F39-JD3A |
| | 1 | White | Not used | | | | | | | | | | | | | | | | | | | | | | | | |
| | 2 | Brown | +24 VDC | | | | | | | | | | | | | | | | | | | | | | | | |
| | 3 | Black | TEST | | | | | | | | | | | | | | | | | | | | | | | | |
| | 4 | Yellow | Not used | | | | | | | | | | | | | | | | | | | | | | | | |
| 5 | Gray | Not used | | | | | | | | | | | | | | | | | | | | | | | | | |
| 6 | Pink | Not used | | | | | | | | | | | | | | | | | | | | | | | | | |
| 7 | Blue | 0 VDC | | | | | | | | | | | | | | | | | | | | | | | | | |
| 8 | Red | Not used | | | | | | | | | | | | | | | | | | | | | | | | | |
| 7m | For receiver M12 connector (8-pin), Color: Black Connected to Power Cable or Double-Ended Cable  <table border="1"> <tr><td>1</td><td>White</td><td>OSSD 2</td></tr> <tr><td>2</td><td>Brown</td><td>+24 VDC</td></tr> <tr><td>3</td><td>Black</td><td>OSSD 1</td></tr> <tr><td>4</td><td>Yellow</td><td>AUX</td></tr> <tr><td>5</td><td>Gray</td><td>PC COM (+)</td></tr> <tr><td>6</td><td>Pink</td><td>PC COM (-)</td></tr> <tr><td>7</td><td>Blue</td><td>0 VDC</td></tr> <tr><td>8</td><td>Red</td><td>EDM</td></tr> </table> | 1 | White | OSSD 2 | 2 | Brown | +24 VDC | 3 | Black | OSSD 1 | 4 | Yellow | AUX | 5 | Gray | PC COM (+) | 6 | Pink | PC COM (-) | 7 | Blue | 0 VDC | 8 | Red | EDM | F39-JD7A | |
| 1 | White | OSSD 2 | | | | | | | | | | | | | | | | | | | | | | | | | |
| 2 | Brown | +24 VDC | | | | | | | | | | | | | | | | | | | | | | | | | |
| 3 | Black | OSSD 1 | | | | | | | | | | | | | | | | | | | | | | | | | |
| 4 | Yellow | AUX | | | | | | | | | | | | | | | | | | | | | | | | | |
| 5 | Gray | PC COM (+) | | | | | | | | | | | | | | | | | | | | | | | | | |
| 6 | Pink | PC COM (-) | | | | | | | | | | | | | | | | | | | | | | | | | |
| 7 | Blue | 0 VDC | | | | | | | | | | | | | | | | | | | | | | | | | |
| 8 | Red | EDM | | | | | | | | | | | | | | | | | | | | | | | | | |
| 10m | For receiver M12 connector (8-pin), Color: Black Connected to Power Cable or Double-Ended Cable  <table border="1"> <tr><td>1</td><td>White</td><td>OSSD 2</td></tr> <tr><td>2</td><td>Brown</td><td>+24 VDC</td></tr> <tr><td>3</td><td>Black</td><td>OSSD 1</td></tr> <tr><td>4</td><td>Yellow</td><td>AUX</td></tr> <tr><td>5</td><td>Gray</td><td>PC COM (+)</td></tr> <tr><td>6</td><td>Pink</td><td>PC COM (-)</td></tr> <tr><td>7</td><td>Blue</td><td>0 VDC</td></tr> <tr><td>8</td><td>Red</td><td>EDM</td></tr> </table> | 1 | White | OSSD 2 | 2 | Brown | +24 VDC | 3 | Black | OSSD 1 | 4 | Yellow | AUX | 5 | Gray | PC COM (+) | 6 | Pink | PC COM (-) | 7 | Blue | 0 VDC | 8 | Red | EDM | F39-JD10A | |
| 1 | White | OSSD 2 | | | | | | | | | | | | | | | | | | | | | | | | | |
| 2 | Brown | +24 VDC | | | | | | | | | | | | | | | | | | | | | | | | | |
| 3 | Black | OSSD 1 | | | | | | | | | | | | | | | | | | | | | | | | | |
| 4 | Yellow | AUX | | | | | | | | | | | | | | | | | | | | | | | | | |
| 5 | Gray | PC COM (+) | | | | | | | | | | | | | | | | | | | | | | | | | |
| 6 | Pink | PC COM (-) | | | | | | | | | | | | | | | | | | | | | | | | | |
| 7 | Blue | 0 VDC | | | | | | | | | | | | | | | | | | | | | | | | | |
| 8 | Red | EDM | | | | | | | | | | | | | | | | | | | | | | | | | |
| 15m | For receiver M12 connector (8-pin), Color: Black Connected to Power Cable or Double-Ended Cable  <table border="1"> <tr><td>1</td><td>White</td><td>OSSD 2</td></tr> <tr><td>2</td><td>Brown</td><td>+24 VDC</td></tr> <tr><td>3</td><td>Black</td><td>OSSD 1</td></tr> <tr><td>4</td><td>Yellow</td><td>AUX</td></tr> <tr><td>5</td><td>Gray</td><td>PC COM (+)</td></tr> <tr><td>6</td><td>Pink</td><td>PC COM (-)</td></tr> <tr><td>7</td><td>Blue</td><td>0 VDC</td></tr> <tr><td>8</td><td>Red</td><td>EDM</td></tr> </table> | 1 | White | OSSD 2 | 2 | Brown | +24 VDC | 3 | Black | OSSD 1 | 4 | Yellow | AUX | 5 | Gray | PC COM (+) | 6 | Pink | PC COM (-) | 7 | Blue | 0 VDC | 8 | Red | EDM | F39-JD15A | |
| 1 | White | OSSD 2 | | | | | | | | | | | | | | | | | | | | | | | | | |
| 2 | Brown | +24 VDC | | | | | | | | | | | | | | | | | | | | | | | | | |
| 3 | Black | OSSD 1 | | | | | | | | | | | | | | | | | | | | | | | | | |
| 4 | Yellow | AUX | | | | | | | | | | | | | | | | | | | | | | | | | |
| 5 | Gray | PC COM (+) | | | | | | | | | | | | | | | | | | | | | | | | | |
| 6 | Pink | PC COM (-) | | | | | | | | | | | | | | | | | | | | | | | | | |
| 7 | Blue | 0 VDC | | | | | | | | | | | | | | | | | | | | | | | | | |
| 8 | Red | EDM | | | | | | | | | | | | | | | | | | | | | | | | | |
| 20m | IP67* rated when mated. * When the accessory is used, protect it from cutting oil. | F39-JD20A | | | | | | | | | | | | | | | | | | | | | | | | | |

* The cable for emitter and the cable for receiver are available separately. Add '-L' for emitter or '-D' for receiver to the end of the model number when you order.

Single-Ended Cable for Emitter: F39-JD□A-L, Single-Ended Cable for Receiver: F39-JD□A-D

- Note:** 1. Use the F39-JD□RA-L/-D for applications where cutting oil resistance is required.
2. To extend the cable length to more than 20 m, add the F39-JD□B Double-Ended Cable.

Double-Ended Cable (2 cables per set, one for emitter and one for receiver) *

| Appearance | Cable length | Specifications | Model |
|------------|--------------|--|-----------|
| | 0.5m | For emitter M12 connector (8-pin), Color: Gray Connected to Power Cable or Double-Ended Cable Connected to Single-Ended Cable, or Double-Ended Cable | F39-JDR5B |
| | 1m | | F39-JD1B |
| | 3m | | F39-JD3B |
| | 5m | | F39-JD5B |
| | 7m | | F39-JD7B |
| | 10m | | F39-JD10B |
| | 15m | | F39-JD15B |
| | 20m | IP67* rated when mated. * When the accessory is used, protect it from cutting oil. | F39-JD20B |

* The cable for emitter and the cable for receiver are available separately. Add '-L' for emitter or '-D' for receiver to the end of the model number when you order.

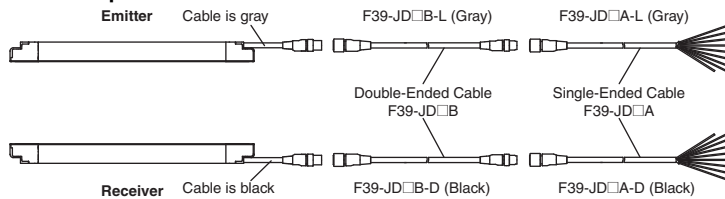
Double-Ended Cable for Emitter: F39-JD□B-L, Double-Ended Cable for Receiver: F39-JD□B-D

Note: To extend the cable length to more than 20 m, add the F39-JD□B Double-Ended Cable to the F39-JD□A Single-Ended Cable.

To extend the cable length to more than 40 m, add several Double-Ended Cables to the Single-Ended Cable.

Example: To extend the cable length to 50 m, connect two F39-JD20B (20 m) cables and one F39-JD10A (10 m) cable.

<Connection example>

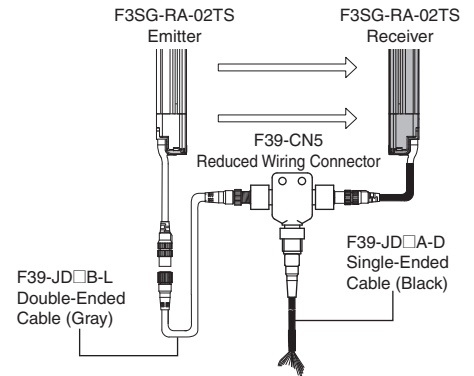


Reduced Wiring Connector System (Order the F39-CN5 and Cables for Reduce Wiring.)
Reduced Wiring Connector

| Appearance | Specifications | Model |
|------------|---|---------|
| | IP67* rated when mated. * When the accessory is used, protect it from cutting oil. | F39-CN5 |

Note: When using the Reduced Wiring Connector (F39-CN5), the following functions are not available.

- External Device Monitoring
- Auxiliary Output



Cable for Reduce Wiring* (2 cables per set, one for emitter and one for receiver)


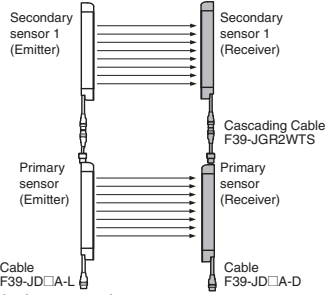
| Appearance | Cable length | Specifications | Remarks | Model |
|------------|---------------------------------|---|--|--------------|
| | Emitter: 3 m Receiver: 3 m | IP67* rated when mated. * When the accessory is used, protect it from cutting oil. | Double-Ended Cable: F39-JD3B-L Single-Ended Cable: F39-JD3A-D | F39-JD0303BA |
| | Emitter: 3 m Receiver: 7 m | | Double-Ended Cable: F39-JD3B-L Single-Ended Cable: F39-JD7A-D | F39-JD0307BA |
| | Emitter: 3 m Receiver: 10 m | | Double-Ended Cable: F39-JD3B-L Single-Ended Cable: F39-JD10A-D | F39-JD0310BA |
| | Emitter: 5 m Receiver: 3 m | | Double-Ended Cable: F39-JD5B-L Single-Ended Cable: F39-JD3A-D | F39-JD0503BA |
| | Emitter: 5 m Receiver: 7 m | | Double-Ended Cable: F39-JD5B-L Single-Ended Cable: F39-JD7A-D | F39-JD0507BA |
| | Emitter: 5 m Receiver: 10m | | Double-Ended Cable: F39-JD5B-L Single-Ended Cable: F39-JD10A-D | F39-JD0510BA |
| | Emitter: 10 m Receiver: 3 m | | Double-Ended Cable: F39-JD10B-L Single-Ended Cable: F39-JD3A-D | F39-JD1003BA |
| | Emitter: 10 m Receiver: 7 m | | Double-Ended Cable: F39-JD10B-L Single-Ended Cable: F39-JD7A-D | F39-JD1007BA |
| | Emitter: 10 m Receiver: 10 m | | Double-Ended Cable: F39-JD10B-L Single-Ended Cable: F39-JD10A-D | F39-JD1010BA |

Note: A combination of emitter and receiver cables of other lengths than the above is also available. For details, contact your Omron representative.

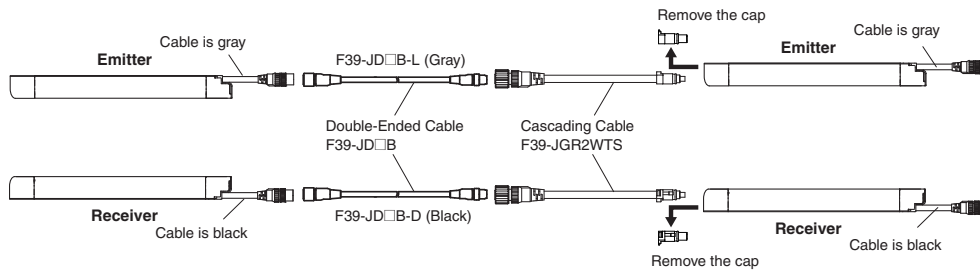
* Double-Ended Cable for emitter and Single-Ended Cable for receiver.

F3SG-RA-02TS





Cascading Cable (2 cables per set, one for emitter and one for receiver)

| Appearance | Type | Cable length | Specifications | Model |
|--|------------------------------------|--------------|--|--------------------|
|  | Cap (8-pin), M12 connector (8-pin) | 0.2m |  <p>IP67* rated when mated. * When the accessory is used, protect it from cutting oil.</p> | F39-JGR2WTS |

Note: The Double-Ended Cable (up to 10 m: F39-JD10B) can be added to extend the cable length between the series-connected sensors. Cable length between sensors: 10 m max. (not including cascading cable (F39-JGR2WTS) and power cable)



Sensor Mounting Brackets




| Appearance | Specifications | Application | Model |
|---|--|--|--------------------|
|  | Free-Location Bracket (Intermediate Bracket) | Beam alignment after mounting possible. The angle adjustment range is $\pm 15^\circ$. Side mounting and backside mounting possible. (Sold separately as a set of 2 brackets. Refer to note *1 for the number of sets required for each model.) | F39-LGRA |
|  | Top/Bottom Bracket *2 | Use this bracket at the top and bottom positions of the F3SG-RA-02TS. Beam alignment after mounting possible. The angle adjustment range is $\pm 22.5^\circ$. Side mounting and backside mounting possible. (Sold separately as a set of 4 brackets.) | F39-LGRTB |
|  | Top/Bottom Bracket *2 | The part of this bracket to contact with a wall surface has a different shape from the F39-LGRTB Top/Bottom Bracket. Use this bracket when replacing an existing safety light curtain with the F3SG-RA-02TS. (Sold separately as a set of 4 brackets.) | F39-LGRTB-2 |
|  | Top/Bottom Bracket *2 | Select a bracket that fit into the existing mounting hole. | F39-LGRTB-3 |

*1. Protective height of 0240 to 1200 mm: 2 sets, Protective height of 1280 to 1920 mm: 3 sets

*2. Use the Top/Bottom Bracket in combination with the Intermediate Bracket.

Protective height of 1040 or less: The Intermediate Bracket is not required. Please purchase 1 set of Top/Bottom Brackets (F39-LGRTB(-2/-3)). Protective height of 1120 to 1920: Please purchase 1 set of Top/Bottom Brackets (F39-LGRTB(-2/-3)) and 1 set of Intermediate Brackets (F39-LGRA).


Interface units and configuration tool SD Manager 2 *1 *2

| Appearance | Type | Specifications | Model |
|---|------------------------------|--|------------------|
|  | SD Manager 2 | The Configuration Tool SD Manager 2 is available to download from our website at http://www.ia.omron.com/f3sg-r_tool | - |
|  | Interface Unit | F39-GIF-1 interface unit to connect the F3SG-RA-02TS receiver to a USB port of the PC Accessories: F39-CN1 Branch Connector (1), Connector Cap (1), 2-m Dedicated Cable (1), Instruction Manual | F39-GIF-1 |
|  | Bluetooth Communication Unit | F39-BT bluetooth unit to enable bluetooth on the F3SG-RA IP67 rated when mated. | F39-BT |

*1. The F3SG-RA-02TS provides only the monitoring functionality.


*2. When the accessory is used, protect it from cutting oil.

Lamp *

| Appearance | Type | Specifications | Model |
|---|---------------------------------------|--|-----------------|
|  | Lamp | The lamp can be connected to a receiver and turned ON based on the operation of F3SG-RA. The lamp output pattern is set as follows: Red (ON): Inverted signal of safety output information Orange (Blink once): Inverted signal of stable-state information | F39-LP |
| | Lamp and Bluetooth Communication Unit | Green (ON): Safety output information IP67 rated when mated. | F39-BTLP |

* When the accessory is used, protect it from cutting oil.


End Cap *1 *2

| Appearance | Specifications | Model |
|---|--|----------------|
|  | Housing color: Black For both emitter and receiver (Attached to the F3SG-RA-02TS. The End Cap can be purchased if lost.) IP67 rated when mated. | F39-CNM |

*1. This accessory can also be used with the F3SG-RA-01TS.

*2. When the accessory is used, protect it from cutting oil.

Laser Pointer for F3SG-R *

| Appearance | Specifications | Model |
|---|--|----------------|
|  | The laser pointer is attached on the optical surface of the F3SG-R to help coarse adjustment of beams. | F39-PTG |

* When the accessory is used, protect it from cutting oil.

Test Rod

| Diameter | Model |
|------------|------------------|
| 25 mm dia. | F39-TRD25 |

F3SG-RA-02TS

Ratings and Specifications

Main unit

The □□□□ in the model names indicate the protective heights in millimeters.

| | | F3SG-4RA□□□□-25-02TS | | |
|---------------------------------------|---|--|---|--|
| Performance | Object Resolution (Detection Capability) | Opaque objects 25-mm dia. | | |
| | Beam Gap | 20 mm | | |
| | Number of Beams | 12 to 96 | | |
| | Lens Size | 6.0 × 5.0 (W × H) mm | | |
| | Protective Height | 240 to 1920 mm | | |
| | Operating Range | 0.3 to 17.0 m | | |
| | Response Time | ON to OFF | Normal mode: 8 to 13 ms *1 | |
| | | OFF to ON | Normal mode: 40 to 90ms (synchronized), 140 to 190ms (not synchronized) *1 | |
| | | | *1. Response time when used in one segment system or in cascaded connection. Refer to page 128 for the one segment system. Refer to <i>Safety Light Curtain F3SG-4RA□□□□-25-02TS Series User's Manual (ManNo.: Z391)</i> for cascaded connection. | |
| | Effective Aperture Angle (EAA) (IEC 61496-2) | ±2.5° max., emitter and receiver at operating range of 3 m or greater | | |
| Light Source | Infrared LEDs, Wavelength: 870 nm | | | |
| Startup Waiting Time | 2 s max. | | | |
| Electrical | Power Supply Voltage (Vs) | SELV/PELV 24 VDC±20% (ripple p-p 10% max.) | | |
| | Current Consumption | Refer to page 128 . | | |
| | Safety Outputs (OSSD) | Two PNP transistor outputs Load current of 300 mA max., Residual voltage of 2 V max. (except for voltage drop due to cable extension), Capacitive load of 1 µF max., Inductive load of 2.2 H max. *1 Leakage current of 1 mA max. | | |
| | | *1. The load inductance is the maximum value when the safety output frequently repeats ON and OFF. When you use the safety output at 4 Hz or less, the usable load inductance becomes larger. *2. These values must be taken into consideration when connecting elements including a capacitive load such as a capacitor. | | |
| | Auxiliary Output | One PNP transistor output Load current of 100 mA max., Residual voltage of 2 V max . | | |
| | Output Operation Mode | Safety Output | Light-ON (Safety output is enabled when the receiver receives an emitting signal.) | |
| | | Auxiliary Output | Reverse output of safety output | |
| | Input Voltage | External device monitoring input (Lockout reset input) | ON voltage: Vs-3 V to Vs (short circuit current: approx. 6.5 mA) * OFF voltage: 0 V to 1/2 Vs, or open (short circuit current: approx. 8.0 mA) * | |
| | | Test input | 24 V Active setting: ON voltage: 9 V to Vs (short circuit current: approx. 2.5 mA) * OFF voltage: 0 V to 1.5 V or open (short circuit current: approx. 2.0 mA) 0 V Active setting: ON voltage: 0 V to 3 V (short circuit current: approx. 2.0 mA) OFF voltage: 9 V to Vs or open (short circuit current: approx. 2.5 mA) * | |
| | | | * The Vs indicates a supply voltage value in your environment. | |
| | Overvoltage Category (IEC 60664-1) | II | | |
| | Indicators | Refer to page 130. | | |
| | Protective Circuit | Output short protection, Power supply reverse polarity protection | | |
| Insulation Resistance | 20 MΩ or higher (500 VDC megger) | | | |
| Dielectric Strength | 1,000 VAC, 50/60 Hz (1 min) | | | |
| Functional | Mutual Interference Prevention (Scan Code) | This function prevents mutual interference in up to two F3SG-RA-25-02TS systems. | | |
| | Cascade Connection | Number of cascaded segments: 3 max. (only among F3SG-4RA□□□□-25-02TS's) | | |
| | | Total number of beams: 255 max. Cable length between sensors: 10 m max. (not including cascading cable (F39-JGR2WTS) and power cable) | | |
| | Test Function | Self-test (at power-on, and during operation) External test (light emission stop function by test input) | | |
| Safety-Related Functions | External device monitoring (EDM) Scan code selection | | | |
| Environmental | Ambient Temperature | Operating | -10 to 55°C (14 to 131°F) (non-icing) | |
| | | Storage | -25 to 70°C (-13 to 158°F) | |
| | Ambient Humidity | Operating | 35% to 85% (non-condensing) | |
| | | Storage | 35% to 95% | |
| | Ambient Illuminance | Incandescent lamp: 3,000 lx max. on receiver surface Sunlight: 10,000 lx max. on receiver surface | | |
| | Degree of Protection (IEC 60529) | IEC 60529: IP65 and IP67, JIS C 0920 Annex 1: IP67G | | |
| | Vibration Resistance (IEC 61496-1) | 10 to 55 Hz, Multiple amplitude of 0.7 mm, 20 sweeps for all 3 axes | | |
| | Shock Resistance (IEC 61496-1) | 100 m/s ² , 1000 shocks for all 3 axes | | |
| Pollution Degree (IEC 60664-1) | Pollution Degree 3 | | | |

| | | F3SG-4RA□□□□-25-02TS | |
|--------------------------|---|--|--|
| Connections | Power cable | Type of Connection | M12 connectors: 8-pin emitter and receiver. Cables prewired to the sensors. IP67 and IP67G (JIS C 0920 Annex 1) * rated when mated. * F3SG-RA-25-02TS meets the degree of protection when it is correctly connected with an F39-JD□□RA-□ Oil-Resistant extension cable. |
| | | Number of Wires | Emitter: 5, Receiver: 8 |
| | | Cable Length | 0.3 m |
| | | Cable Diameter | 6 mm |
| | | Minimum Bending Radius | R36 mm |
| | Cascading cable | Type of Connection | M12 connectors: 8-pin emitter and receiver. IP67 rated when mated. |
| | | Number of Wires | Emitter: 5, Receiver: 8 |
| | | Cable Length | 0.3 m |
| | | Minimum Bending Radius | R5 mm |
| | F39-JD□RA-□ Oil-Resistant cable - Single-Ended Cable | Type of Connection | M12 connectors: 8-pin emitter and receiver. Cables prewired to the sensors. IP67 and IP67G (JIS C 0920 Annex 1)* rated when mated. * F3SG-RA-25-02TS meets the degree of protection when it is correctly connected with the power cable. The degree of protection is not satisfied with the part where cable wires are uncovered. |
| | | Number of Wires | Emitter: 5, Receiver: 8 |
| | | Cable Length | Refer to page 122. |
| | | Cable Diameter | 6 mm |
| | | Minimum Bending Radius | R36 mm |
| | Extension cable - Single-Ended Cable (F39-JD□A) - Double-Ended Cable (F39-JD□B) | Type of Connection | M12 connectors: 8-pin emitter and receiver. IP67 rated when mated. |
| Number of Wires | | Emitter: 8, Receiver: 8 | |
| Cable Length | | Refer to page 122 and 123. | |
| Minimum Bending Radius | | R36 mm | |
| Extension of Power Cable | | 100 m max. (Emitter/Receiver) | |
| Material | Material | Housing: Aluminum alloy Cap: PBT resin Front window: Acrylic resin Cable: Fluororesin FE plate: Stainless steel | |
| | Weight | Refer to page 128 . | |
| | Included Accessories | Safety Precautions, Quick Installation Manual, Troubleshooting Guide Sticker, End Cap (for switching External Test Input function) | |
| Conformity | Conforming standards | Refer to page 129. | |
| | Performance Level (PL)/Safety category | PL e/Category 4 (EN ISO 13849-1:2015) | |
| | PFH _d | 1.1 × 10 ⁻⁸ (IEC 61508) | |
| | Proof test interval T _M | Every 20 years (IEC 61508) | |
| | SFF | 99% (IEC 61508) | |
| | HFT | 1 (IEC 61508) | |
| Classification | | Type B (IEC 61508-2) | |

Bluetooth Communication Unit

| | |
|-----------------------|---|
| Communication System | Bluetooth Version 3.0 |
| Communication Profile | SPP (Serial Port Profile) |
| Transmission Distance | Approx. 10 m max. (Output power: Class 2) * |

* It depends on use environment conditions.

F3SG-RA-02TS

List of Models/Response Time/Current Consumption/Weight

| Model | Number of Beams | Protective Height [mm] (Overall length) | Response Time [ms] *1 | | | Current Consumption [mA] | | Weight [kg] | |
|----------------------|-----------------|---|-----------------------|-------------------------|-----------------------------|--------------------------|----------|-------------|----------|
| | | | ON → OFF *2 | OFF (Synchronized) → ON | OFF (Not synchronized) → ON | Emitter | Receiver | Net *3 | Gross *4 |
| F3SG-4RA0240-25-02TS | 12 | 240 | 8 | 40 | 140 | 35 | 75 | 0.7 | 1.6 |
| F3SG-4RA0320-25-02TS | 16 | 320 | 8 | 40 | 140 | 40 | 75 | 0.9 | 1.9 |
| F3SG-4RA0400-25-02TS | 20 | 400 | 8 | 40 | 140 | 45 | 75 | 1.1 | 2.1 |
| F3SG-4RA0480-25-02TS | 24 | 480 | 8 | 40 | 140 | 50 | 75 | 1.3 | 2.4 |
| F3SG-4RA0560-25-02TS | 28 | 560 | 8 | 40 | 140 | 50 | 75 | 1.5 | 2.7 |
| F3SG-4RA0640-25-02TS | 32 | 640 | 8 | 40 | 140 | 55 | 75 | 1.7 | 3.0 |
| F3SG-4RA0720-25-02TS | 36 | 720 | 8 | 40 | 140 | 60 | 80 | 1.9 | 3.2 |
| F3SG-4RA0800-25-02TS | 40 | 800 | 8 | 40 | 140 | 65 | 80 | 2.1 | 3.5 |
| F3SG-4RA0880-25-02TS | 44 | 880 | 13 | 65 | 165 | 50 | 80 | 2.3 | 3.8 |
| F3SG-4RA0960-25-02TS | 48 | 960 | 13 | 65 | 165 | 50 | 80 | 2.5 | 4.0 |
| F3SG-4RA1040-25-02TS | 52 | 1040 | 13 | 65 | 165 | 55 | 80 | 2.7 | 4.3 |
| F3SG-4RA1120-25-02TS | 56 | 1120 | 13 | 65 | 165 | 55 | 85 | 2.9 | 4.6 |
| F3SG-4RA1200-25-02TS | 60 | 1200 | 13 | 65 | 165 | 55 | 85 | 3.1 | 4.9 |
| F3SG-4RA1280-25-02TS | 64 | 1280 | 13 | 65 | 165 | 60 | 85 | 3.3 | 5.1 |
| F3SG-4RA1360-25-02TS | 68 | 1360 | 13 | 65 | 165 | 60 | 85 | 3.5 | 5.4 |
| F3SG-4RA1440-25-02TS | 72 | 1440 | 13 | 65 | 165 | 65 | 85 | 3.7 | 5.7 |
| F3SG-4RA1520-25-02TS | 76 | 1520 | 13 | 65 | 165 | 65 | 90 | 3.9 | 5.9 |
| F3SG-4RA1600-25-02TS | 80 | 1600 | 13 | 65 | 165 | 70 | 90 | 4.1 | 6.2 |
| F3SG-4RA1680-25-02TS | 84 | 1680 | 13 | 65 | 165 | 70 | 90 | 4.3 | 6.5 |
| F3SG-4RA1760-25-02TS | 88 | 1760 | 13 | 65 | 165 | 70 | 90 | 4.5 | 6.7 |
| F3SG-4RA1840-25-02TS | 92 | 1840 | 13 | 65 | 165 | 75 | 90 | 4.7 | 7.0 |
| F3SG-4RA1920-25-02TS | 96 | 1920 | 13 | 65 | 165 | 75 | 95 | 4.9 | 7.3 |

*1. The maximum speed of movement of a test rod up to which the detection capability is maintained is 2.0 m/s.

*2. The response times are values when Scan Code is set at Code B. The response times for Code A are 1 ms shorter than these values.

*3. The net weight is the weight of an emitter and a receiver.

*4. The gross weight is the weight of an emitter, a receiver, included accessories and a package.

Legislation and Standards

1. The F3SG-RA-02TS does not receive type approval provided by Article 44-2 of the Industrial Safety and Health Act of Japan. When using the F3SG-RA-02TS in Japan as a "safety system for pressing or shearing machines" prescribed in Article 42 of that law, the machine control system must receive type approval.
2. The F3SG-RA-02TS is electro-sensitive protective equipment (ESPE) in accordance with European Union (EU) Machinery Directive Index Annex V, Item 2.
3. EC/EU Declaration of Conformity
OMRON declares that the F3SG-RA-02TS is in conformity with the requirements of the following EC/EU Directives:
Machinery Directive 2006/42/EC
EMC Directive 2014/30/EU
4. Conforming Standards
 - (1) European standards
EN61496-1 (Type 4 ESPE), EN 61496-2 (Type 4 AOPD), EN61508-1 through -4 (SIL 3), EN ISO 13849-1:2015 (PL e, Category 4)
 - (2) International standards
IEC61496-1 (Type 4 ESPE), IEC61496-2 (Type 4 AOPD), IEC61508-1 through -4 (SIL 3), ISO 13849-1:2015 (PL e, Category 4)
 - (3) JIS standards
JIS B 9704-1 (Type 4 ESPE), JIS B 9704-2 (Type 4 AOPD)
 - (4) North American standards
UL61496-1 (Type 4 ESPE), UL61496-2 (Type 4 AOPD), UL508, UL1998, CAN/CSA C22.2 No.14, CAN/CSA C22.2 No.0.8
5. Third-Party Certifications
 - (1) TÜV SÜD
 - EC Type-Examination certificate:
EU Machinery Directive, Type 4 ESPE (EN61496-1), Type 4 AOPD (EN 61496-2)
 - Certificate:
Type 4 ESPE (EN61496-1), Type 4 AOPD (EN61496-2), EN 61508-1 through -4 (SIL 3), EN ISO 13849-1:2015 (PL e, Category 4)
 - (2) UL
 - UL Listing:
Type 4 and ESPE (UL61496-1), Type 4 AOPD (UL61496-2), UL508, UL1998, CAN/CSA C22.2 No.14, CAN/CSA C22.2 No.0.8
6. Other Standards
The F3SG-RA-02TS is designed according to the standards listed below. To make sure that the final system complies with the following standards and regulations, you are asked to design and use it in accordance with all other related standards, laws, and regulations. If you have any questions, consult with specialized organizations such as the body responsible for prescribing and/or enforcing machinery safety regulations in the location where the equipment is to be used.
 - European Standards: EN415-4, EN691-1, EN692, EN693, IEC 62046
 - U.S. Occupational Safety and Health Standards: OSHA 29 CFR 1910.212
 - U.S. Occupational Safety and Health Standards: OSHA 29 CFR 1910.217
 - American National Standards: ANSI B11.1 to B11.19
 - American National Standards: ANSI/RIA R15.06
 - Canadian Standards Association CSA Z142, Z432, Z434
 - SEMI Standards SEMI S2
 - Japan Ministry of Health, Labour and Welfare "Guidelines for Comprehensive Safety Standards of Machinery", Standard Bureau's Notification No. 0731001 dated July 31, 2007.rms and Conditions Agreement

F3SG-RA-02TS

Indicator

Emitter

| Name of Indicator | | Color | Illuminated | Blinking |
|-------------------|---------|-------|--------------------|--|
| Test | TEST | Green | – | External Test is being performed |
| Operating range | LONG | Green | Always illuminated | Lockout state due to Scan code setting error |
| Power | POWER | Green | Power is ON. | Error due to noise |
| Lockout | LOCKOUT | Red | – | Lockout state due to error in emitter |

Receiver

| Name of Indicator | | Color | Illuminated | Blinking |
|----------------------------|----------|-------|--|--|
| Top-beam-state | TOP | Blue | The top beam is unblocked | Lockout state due to Cap error or Other sensor error |
| PNP/NPN mode | NPN | Green | Always illuminated | – |
| Configuration | CFG | Green | – | Lockout state due to Parameter error or Cascading Configuration error |
| External device monitoring | EDM | Green | EDM input is in ON state * | Lockout state due to EDM error |
| Internal error | INTERNAL | Red | – | Lockout state due to Internal error, or error due to abnormal power supply or noise |
| Lockout | LOCKOUT | Red | – | Lockout state due to error in receiver |
| Stable-state | STB | Green | Incident light level is 170% or higher of ON-threshold | Safety output is instantaneously turned OFF due to ambient light or vibration |
| ON/OFF | ON/OFF | Green | Safety output is in ON state | – |
| | | Red | Safety output is in OFF state | Lockout state due to Safety Output error, or error due to abnormal power supply or noise |
| Communication | COM | Green | Synchronization between emitter and receiver is maintained | Lockout state due to Communication error, or error due to abnormal power supply or noise |
| Bottom-beam state | BTM | Blue | The bottom beam is unblocked | Lockout state due to Scan code setting error |

Note: TOP, CFG, LOCKOUT, STB and ON/OFF indicators are illuminated when the receiver of the F3SG-RA-02TS is in Setting mode.

* The EDM indicator is illuminated when the EDM input is in the ON state regardless of the use of the EDM function.

Interface Unit

| | |
|------------------------------|---|
| Main Unit | PC/AT compatible machine (computer that runs Microsoft Windows) |
| Operating System (OS) | Windows 7 (32-bit/64-bit), Windows 8, 8.1 (32-bit/64-bit), Windows 10 (32-bit/64-bit) |
| Communication Port | USB port x1 |
| Ambient Temperature | Operating: -10 to 55°C, Storage: -30 to 70°C (non-icing and non-condensing) |
| Ambient Humidity | Operating: 35% to 85%, Storage: 35% to 95% (non-condensing) |

Lamp

| Item | F39-LP |
|-----------------------------|---|
| Applicable Sensor | F3SG-□RA Series Safety Light Curtain (Receiver) |
| LED Light Color | Red/Green/Orange |
| Power Supply Voltage | 24 VDC±20%, ripple p-p 10% max. (shares sensor's power supply) |
| Current Consumption | 25 mA max. (shares sensor's power supply.) |
| Ambient Temperature | Operating: -10 to 55°C, Storage: -25 to 70°C |
| Ambient Humidity | Operating: 35% to 85%, Storage: 35% to 95% |
| Vibration Resistance | 10 to 55 Hz, Multiple amplitude of 0.7 mm, 20 sweeps for all 3 axes |
| Shock Resistance | 100 m/s ² , 1000 shocks for all 3 axes |
| Degree of Protection | IP65 and IP67 (When attached to F3SG) |
| Type of Connection | Connectable to F3SG-RA's terminal connector |
| Material | Lighting element: PC, Other body parts: PBT |
| Weight | 45 g (when packaged) |

Connections (Basic Wiring Diagram)

Standalone F3SG-RA-02TS

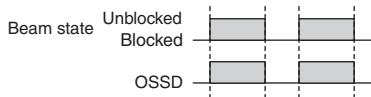
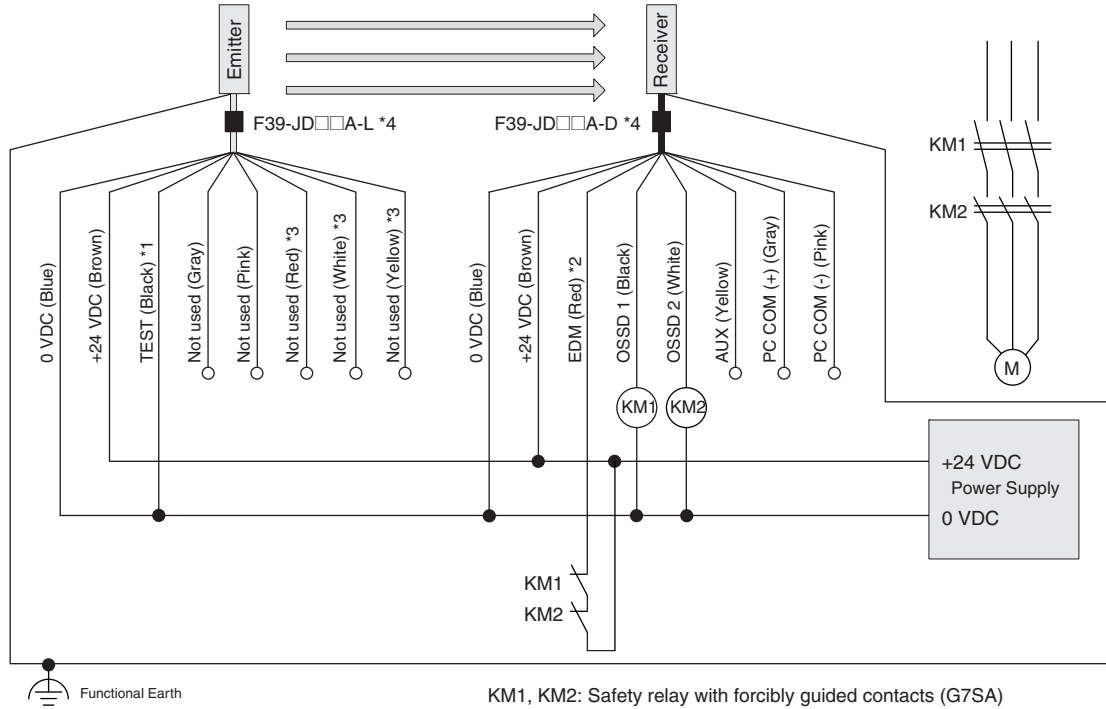
EDM used and External Test in 24V Active not used

The following is the example of External Device Monitoring used and External Test in 24 V Active not used.

Settings

| | Function |
|----------|---|
| Receiver | EDM |
| Emitter | External Test: 24 V Active (End Cap: Black) (factory default setting) |

Wiring Example



KM1, KM2: Safety relay with forcibly guided contacts (G7SA)
M: Motor

- *1. Connect the line to 24 V via a test switch (N.O. contact) if External Test is used.
- *2. Connect a lockout reset switch (N.C. contact) to this line in series with the KM1 and KM2 if Lockout Reset is used.
- *3. The F39-JD□□RA-L Single-Ended Cable for Emitter (Oil-Resistant Cable) does not have the red, white and yellow wires.
- *4. For the F39-JD□□A-□ Single-Ended Cable, connect the shield line to 0 V.

Note: Functional earth connection is unnecessary when you use the F3SG-RA-02TS in a general industrial environment where noise control or stable power supply is considered. However, when you use the F3SG-RA-02TS in an environment where there may be excessive noise from surroundings or stable power supply may be interfered, it is recommended the F3SG-RA-02TS be connected to functional earth.

The wiring examples in later examples do not indicate functional earth. To use functional earth, wire an earth cable according to the example above. Refer to *Safety Light Curtain F3SG-RA-02TS Series User's Manual* for more information.

Connectable Safety Control Units

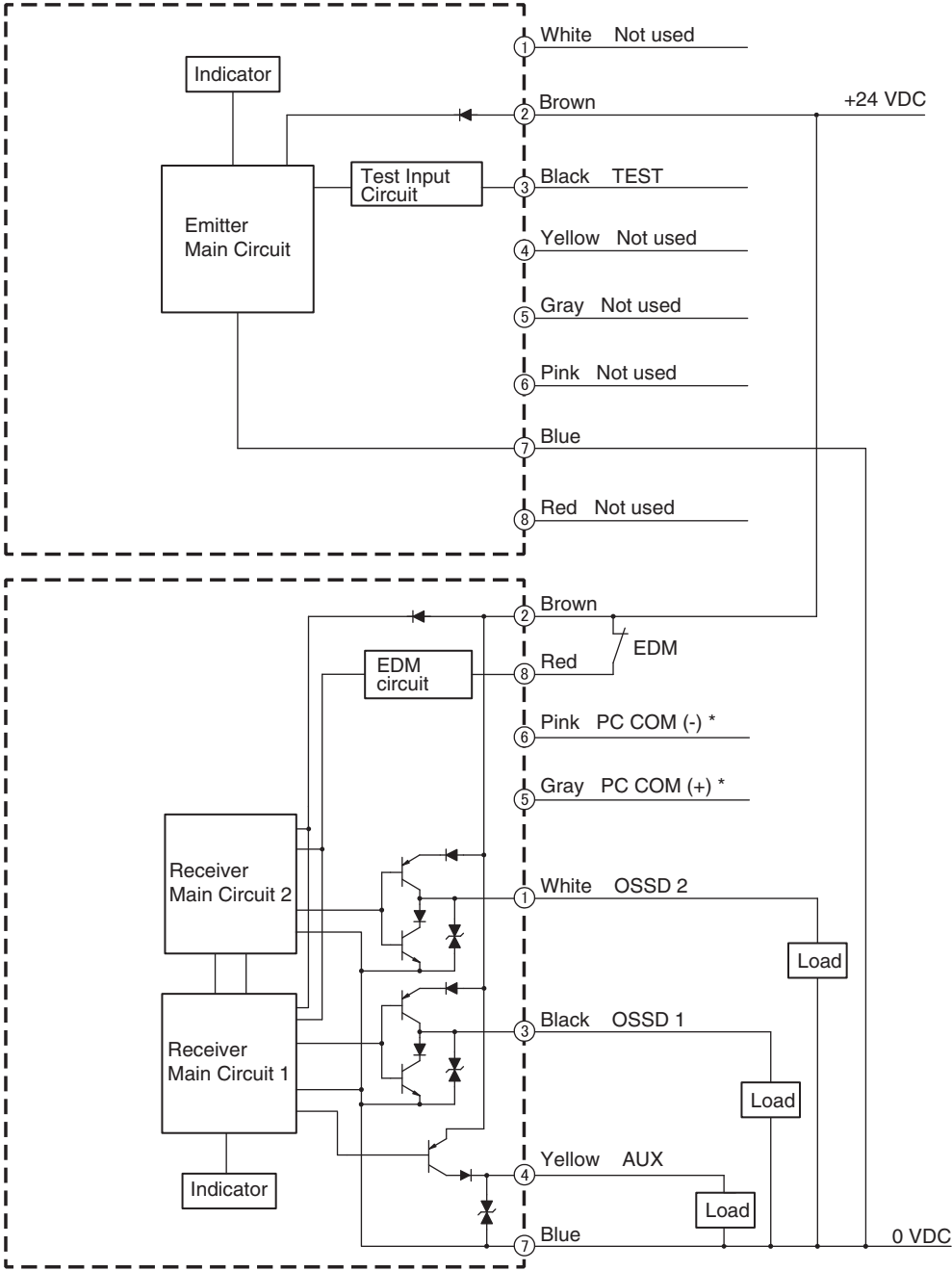
The F3SG-RA-02TS can be connected to the safety control units listed in the table below.

| Connectable Safety Control Units | | |
|----------------------------------|-----------------------|--------------------|
| Safety Relay Units | Flexible Safety Units | Safety Controllers |
| G9SA-301 | | G9SP-N10S |
| G9SA-321-T□ | | G9SP-N10D |
| G9SA-501 | | G9SP-N20S |
| G9SB-200-B | G9SX-AD322-T | NE0A-SCPU01 |
| G9SB-200-D | G9SX-ADA222-T | NE1A-SCPU01 |
| G9SB-301-B | G9SX-BC202 | NE1A-SCPU02 |
| G9SB-301-D | G9SX-GS226-T15 | DST1-ID12SL-1 |
| G9SE-201 | | DST1-MD16SL-1 |
| G9SE-401 | | DST1-MRD08SL-1 |
| G9SE-221-T□ | | NX-SIH400 |
| | | NX-SID800 |
| | | F3SP-T01 |

Input/Output Circuit

Entire Circuit Diagram

The entire circuit diagram of the F3SG-RA-02TS is shown below. The numbers in the circles indicate the connector's pin numbers.



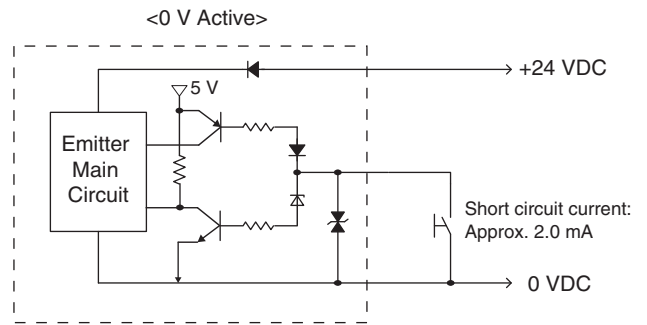
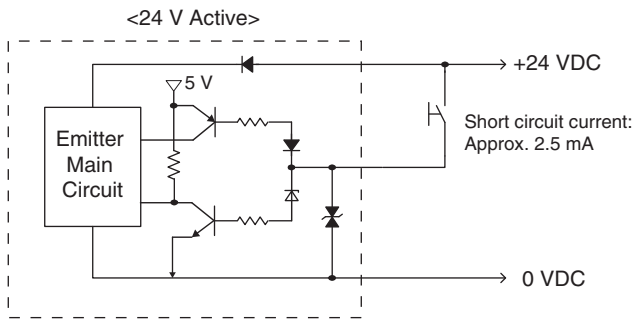
* This line is used for communication with a PC using the F39-GIF-1 Interface Unit.

F3SG-RA-02TS

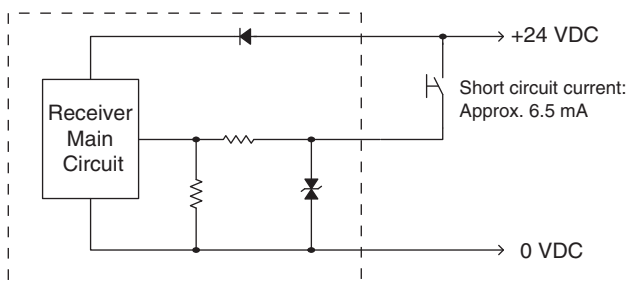
Input Circuit Diagram by Function

The input circuit diagrams of by function are shown below.

Test Input

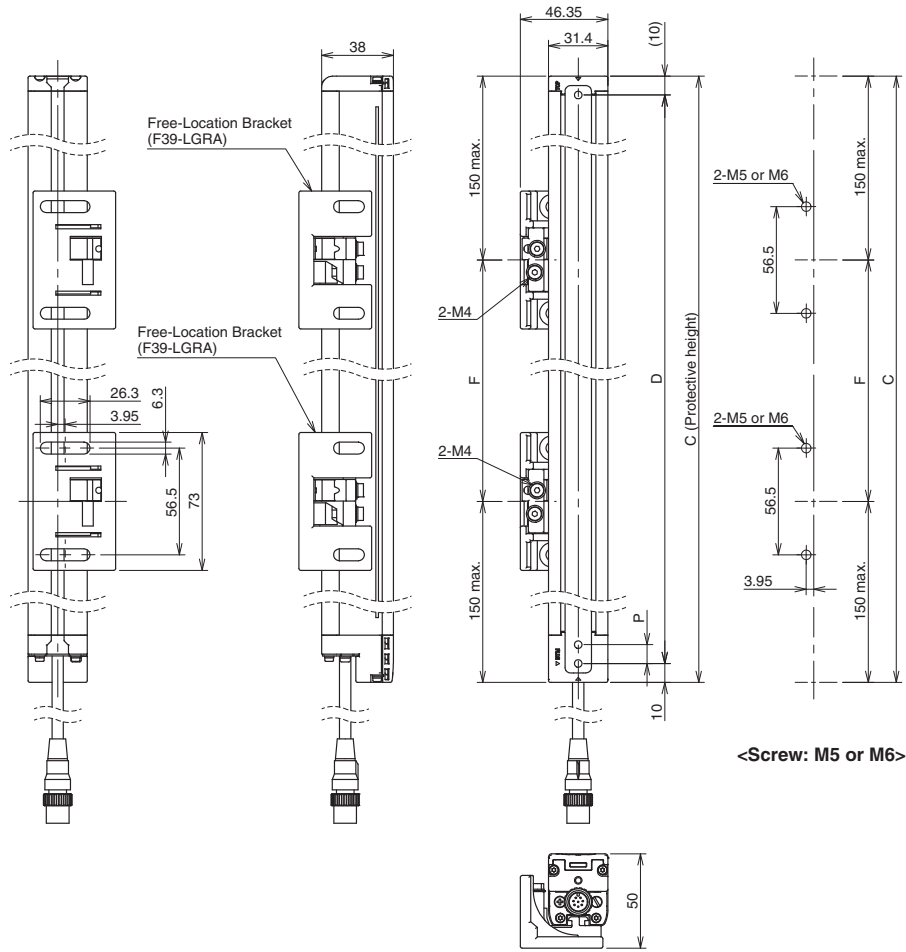


EDM



Dimensions

Mounted with Free-Location Brackets (F39-LGRA) Backside Mounting



F3SG-4RA-□□□□-25-02TS Series

| | |
|-------------|---|
| Dimension C | 4-digit number of the type name (Protective height) |
| Dimension D | C-20 |
| Dimension P | 20 |

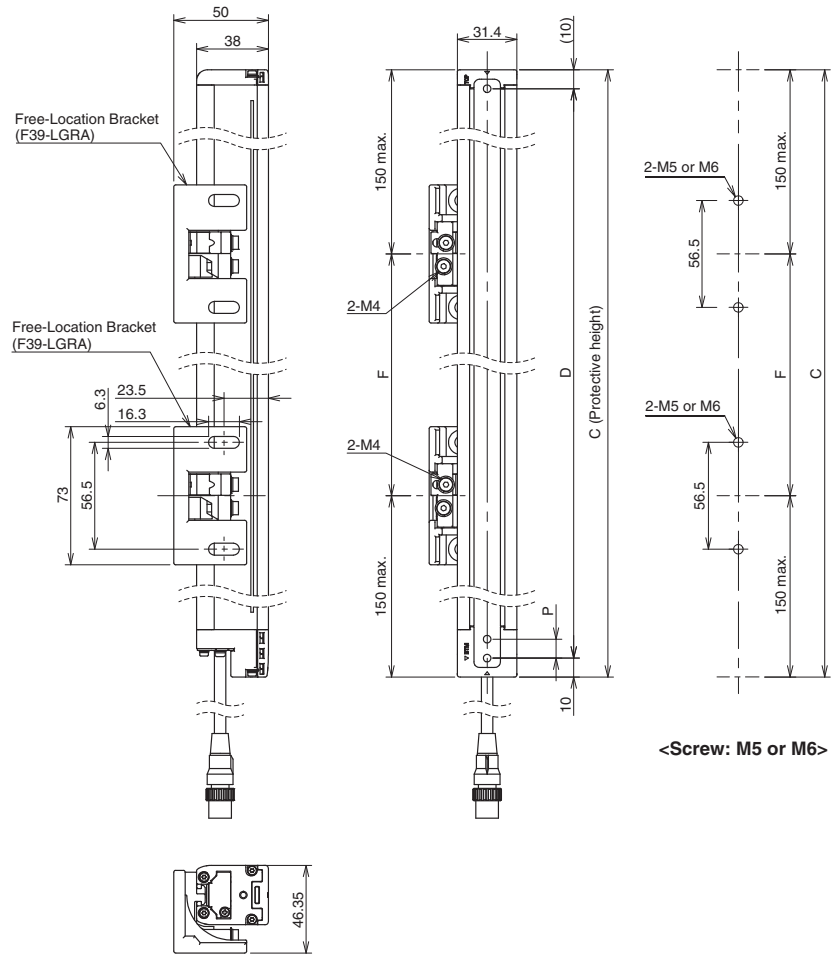
| Protective height (C) | Number of Free-Location Brackets *1 | Dimension F |
|-----------------------|-------------------------------------|--------------|
| 0240 to 1200 | 2 *2 | 1000 mm max. |
| 1280 to 1920 | 3 | 1000 mm max. |

*1. The number of brackets required to mount either one of emitter and receiver.

*2. Mounting an emitter or receiver with one bracket is possible for the model of protective height of 0240. In this case, locate this bracket at half the Dimension C (or at the center of the sensor length).

F3SG-RA-02TS

Side Mounting



F3SG-4RA-□□□□-25-02TS Series

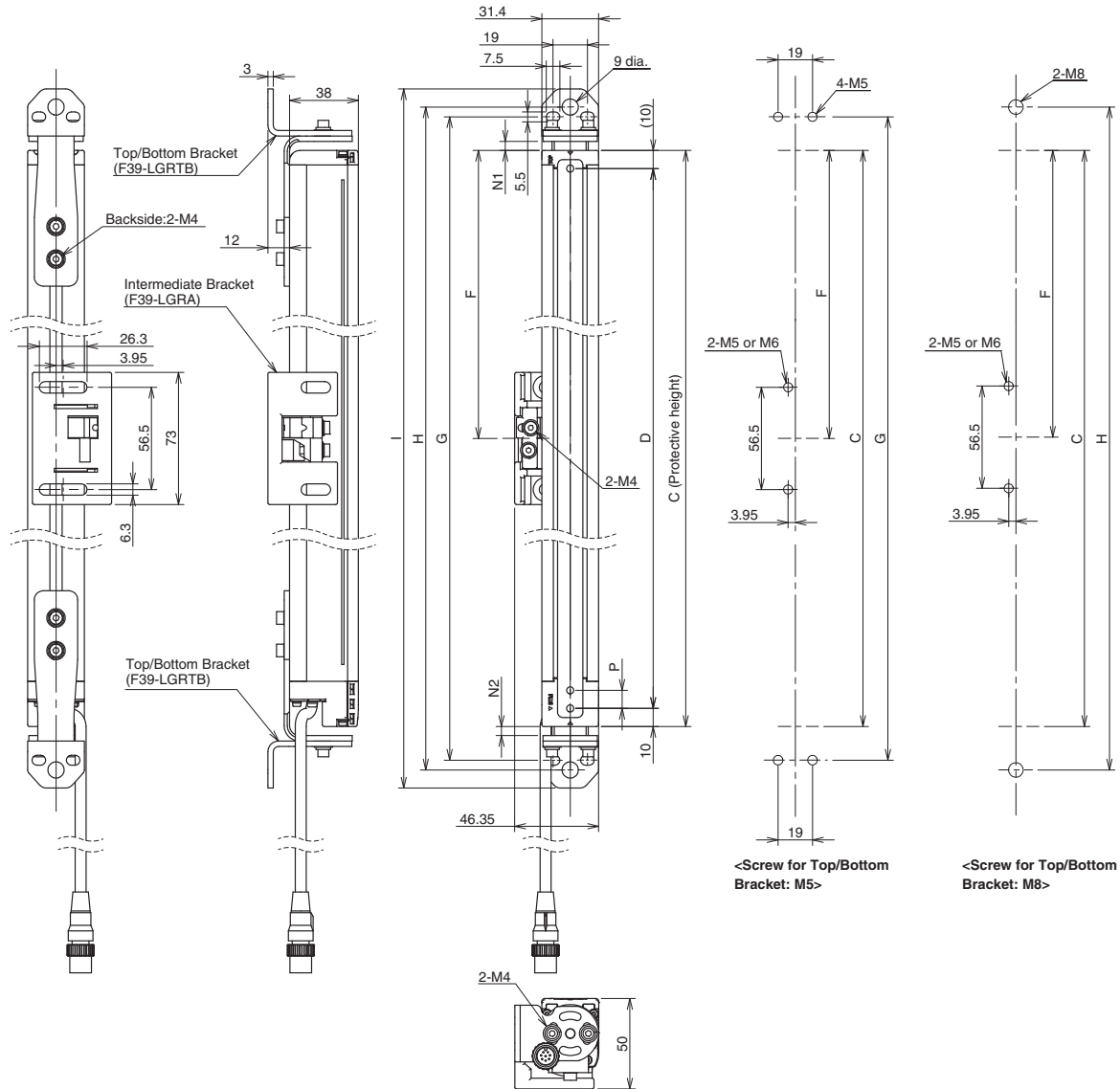
| | |
|--------------------|---|
| Dimension C | 4-digit number of the type name (Protective height) |
| Dimension D | C-20 |
| Dimension P | 20 |

| Protective height (C) | Number of Free-Location Brackets *1 | Dimension F |
|-----------------------|-------------------------------------|--------------|
| 0240 to 1200 | 2 *2 | 1000 mm max. |
| 1280 to 1920 | 3 | 1000 mm max. |

*1. The number of brackets required to mount either one of emitter and receiver.

*2. Mounting an emitter or receiver with one bracket is possible for the model of protective height of 0240. In this case, locate this bracket at half the Dimension C (or at the center of the sensor length).

Mounted with Top/Bottom Brackets (F39-LGRTB) and Intermediate Bracket (F39-LGRA) Backside Mounting



F3SG-4RA-□□□□-25-02TS Series

| | |
|---------------------|---|
| Dimension C | 4-digit number of the type name (Protective height) |
| Dimension D | C-20 |
| Dimension G | $C+27.2+N1+N2$ |
| Dimension H | $C+38+N1+N2$ |
| Dimension I | $C+58+N1+N2$ |
| Dimension N1 | 0 to 30 |
| Dimension N2 | 0 to 13 |
| Dimension P | 20 |

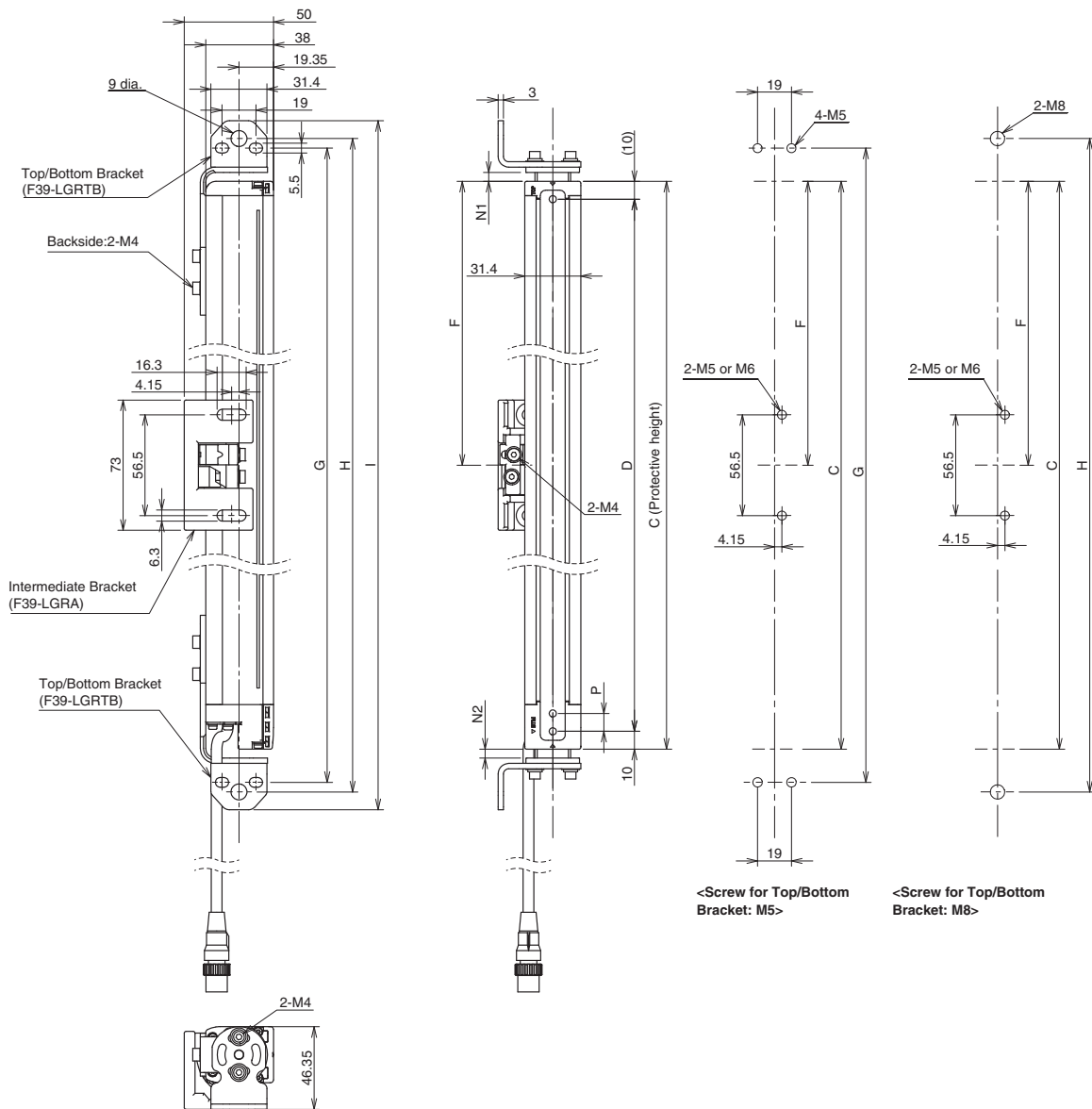
| Protective height (C) | Number of Top/Bottom Brackets * | Number of Intermediate Brackets * | Dimension F |
|-----------------------|---------------------------------|-----------------------------------|--------------|
| 0240 to 1040 | 2 | 0 | - |
| 1120 to 1920 | 2 | 1 | 1000 mm max. |

* The number of brackets required to mount either one of emitter and receiver.

F3SG-RA-02TS

F3SG-RA-02TS

Side Mounting



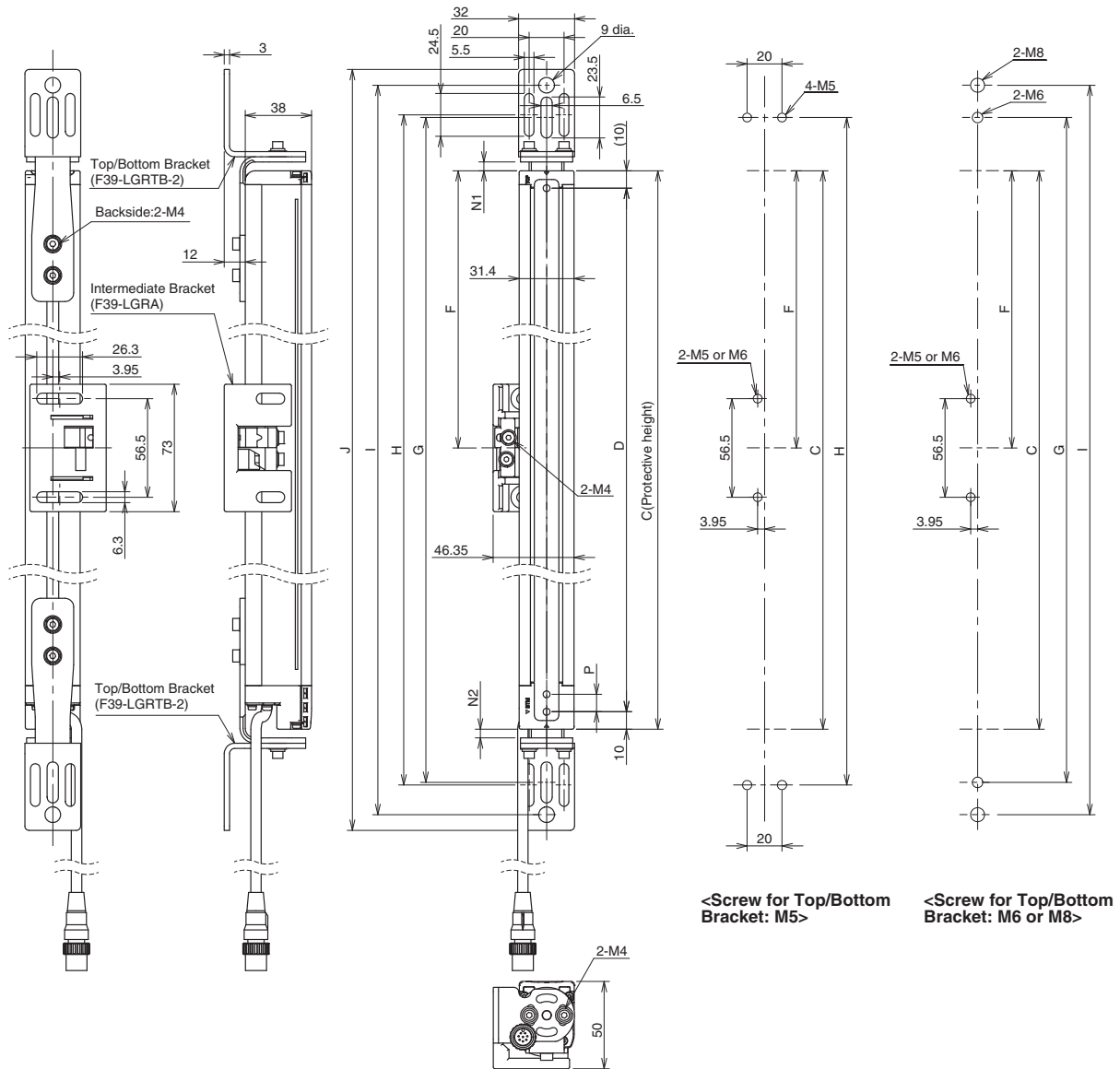
F3SG-4RA-□□□□-25-02TS Series

| | |
|---------------------|---|
| Dimension C | 4-digit number of the type name (Protective height) |
| Dimension D | C-20 |
| Dimension G | $C+27.2+N1+N2$ |
| Dimension H | $C+38+N1+N2$ |
| Dimension I | $C+58+N1+N2$ |
| Dimension N1 | 0 to 30 |
| Dimension N2 | 0 to 13 |
| Dimension P | 20 |

| Protective height (C) | Number of Top/Bottom Brackets * | Number of Intermediate Brackets * | Dimension F |
|-----------------------|---------------------------------|-----------------------------------|--------------|
| 0240 to 1040 | 2 | 0 | - |
| 1120 to 1920 | 2 | 1 | 1000 mm max. |

* The number of brackets required to mount either one of emitter and receiver.

**Mounted with Top/Bottom Brackets (F39-LGRTB-2) and Intermediate Bracket (F39-LGRA)
Backside Mounting**



<Screw for Top/Bottom Bracket: M5>

<Screw for Top/Bottom Bracket: M6 or M8>

F3SG-4RA-□□□□-25-02TS Series

| | |
|---------------------|---|
| Dimension C | 4-digit number of the type name (Protective height) |
| Dimension D | C-20 |
| Dimension G | C+51+N1+N2 |
| Dimension H | C+54+N1+N2 |
| Dimension I | C+88+N1+N2 |
| Dimension J | C+106+N1+N2 |
| Dimension N1 | 0 to 30 |
| Dimension N2 | 0 to 13 |
| Dimension P | 20 |

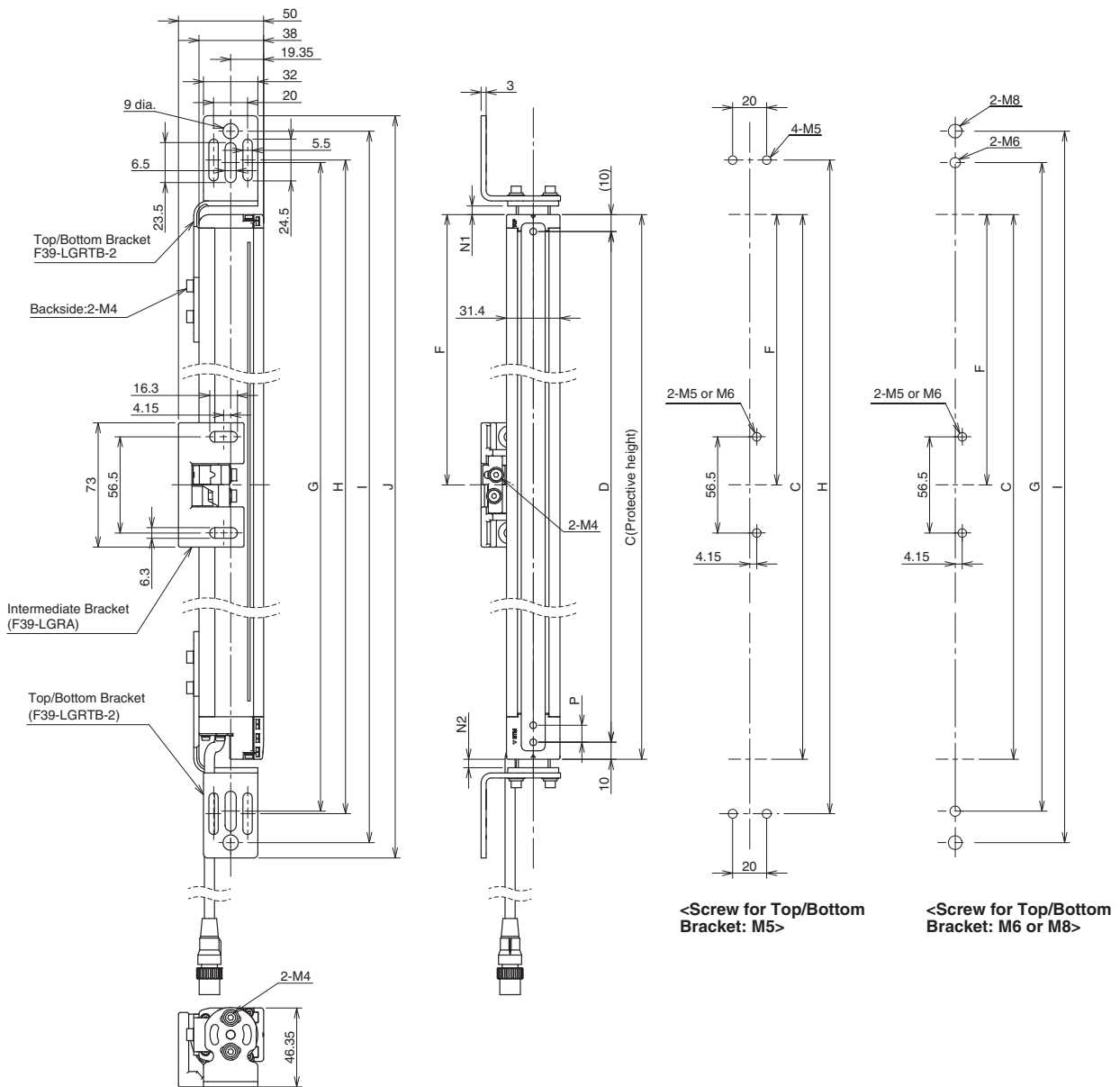
| Protective height (C) | Number of Top/Bottom Brackets * | Number of Intermediate Brackets * | Dimension F |
|-----------------------|---------------------------------|-----------------------------------|--------------|
| 0240 to 1040 | 2 | 0 | - |
| 1120 to 1920 | 2 | 1 | 1000 mm max. |

* The number of brackets required to mount either one of emitter and receiver.

F3SG-RA-02TS

F3SG-RA-02TS

Side Mounting



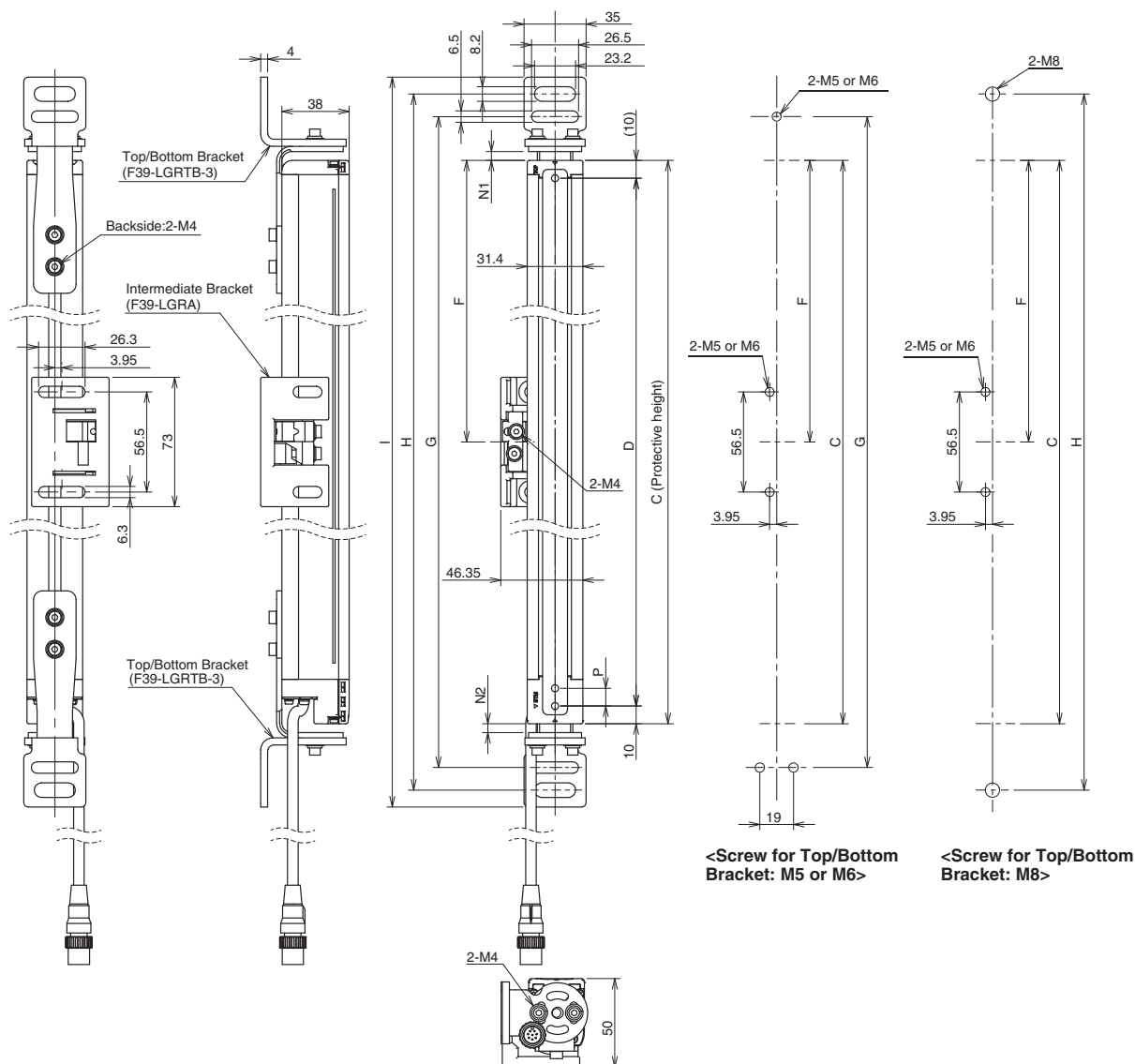
F3SG-4RA-□□□□-25-02TS Series

| | |
|---------------------|---|
| Dimension C | 4-digit number of the type name (Protective height) |
| Dimension D | C-20 |
| Dimension G | $C+51+N1+N2$ |
| Dimension H | $C+54+N1+N2$ |
| Dimension I | $C+88+N1+N2$ |
| Dimension J | $C+106+N1+N2$ |
| Dimension N1 | 0 to 30 |
| Dimension N2 | 0 to 13 |
| Dimension P | 20 |

| Protective height (C) | Number of Top/Bottom Brackets * | Number of Intermediate Brackets * | Dimension F |
|-----------------------|---------------------------------|-----------------------------------|--------------|
| 0240 to 1040 | 2 | 0 | - |
| 1120 to 1920 | 2 | 1 | 1000 mm max. |

* The number of brackets required to mount either one of emitter and receiver.

**Mounted with Top/Bottom Brackets (F39-LGRTB-3) and Intermediate Bracket (F39-LGRA)
Backside Mounting**



F3SG-4RA-□□□□-25-02TS Series

| | |
|--------------|---|
| Dimension C | 4-digit number of the type name (Protective height) |
| Dimension D | C-20 |
| Dimension G | $C+39.5+N1+N2$ |
| Dimension H | $C+65+N1+N2$ |
| Dimension I | $C+84+N1+N2$ |
| Dimension N1 | 0 to 30 |
| Dimension N2 | 0 to 13 |
| Dimension P | 20 |

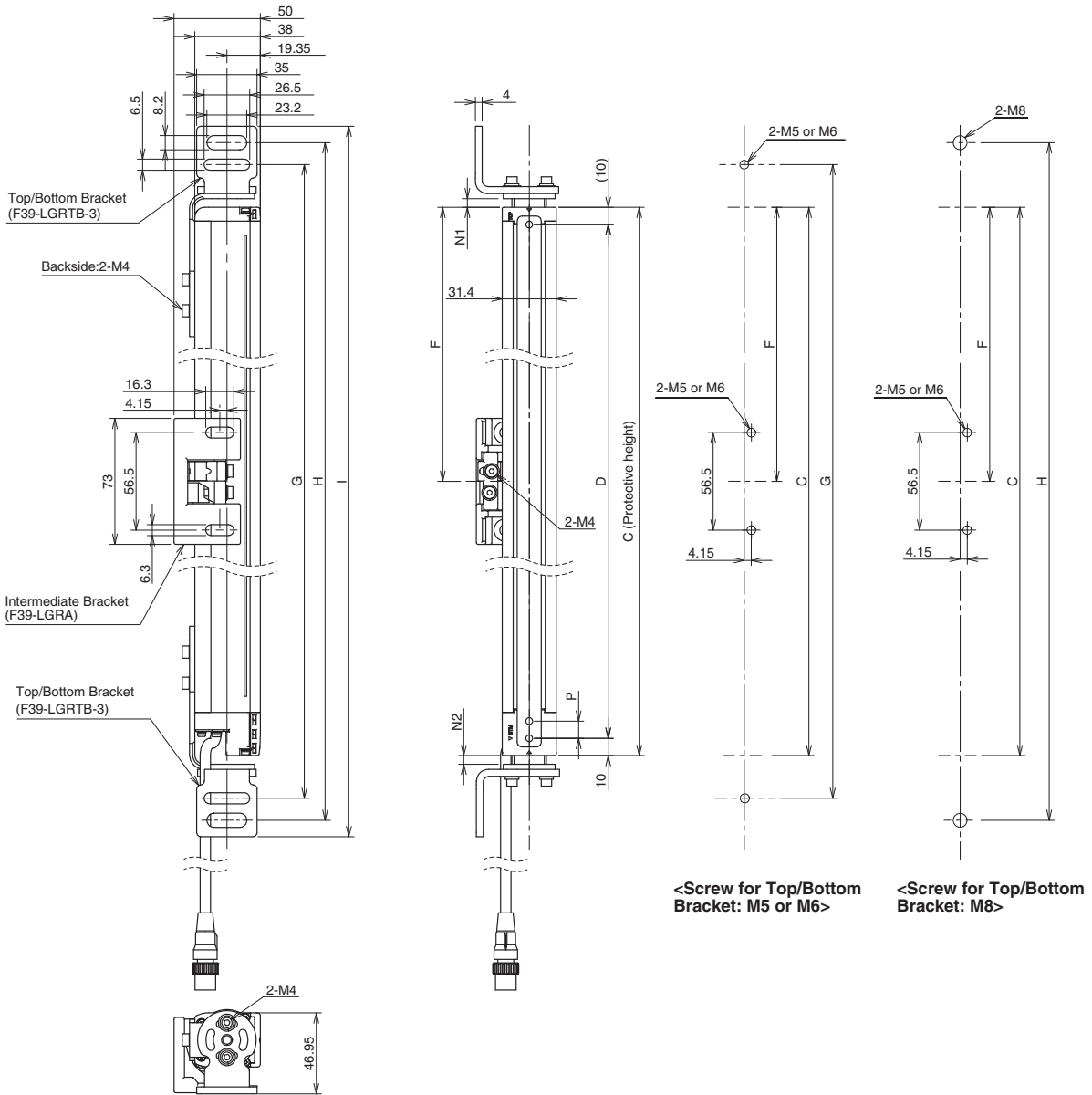
| Protective height (C) | Number of Top/Bottom Brackets * | Number of Intermediate Brackets * | Dimension F |
|-----------------------|---------------------------------|-----------------------------------|--------------|
| 0240 to 1040 | 2 | 0 | - |
| 1120 to 1920 | 2 | 1 | 1000 mm max. |

* The number of brackets required to mount either one of emitter and receiver.

F3SG-RA-02TS

F3SG-RA-02TS

Side Mounting



F3SG-4RA-□□□□-25-02TS Series

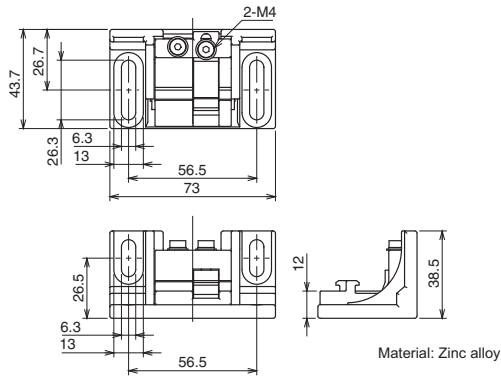
| | |
|---------------------|---|
| Dimension C | 4-digit number of the type name (Protective height) |
| Dimension D | C-20 |
| Dimension G | C+39.5+N1+N2 |
| Dimension H | C+65+N1+N2 |
| Dimension I | C+84+N1+N2 |
| Dimension N1 | 0 to 30 |
| Dimension N2 | 0 to 13 |
| Dimension P | 20 |

| Protective height (C) | Number of Top/Bottom Brackets * | Number of Intermediate Brackets * | Dimension F |
|-----------------------|---------------------------------|-----------------------------------|--------------|
| 0240 to 1040 | 2 | 0 | - |
| 1120 to 1920 | 2 | 1 | 1000 mm max. |

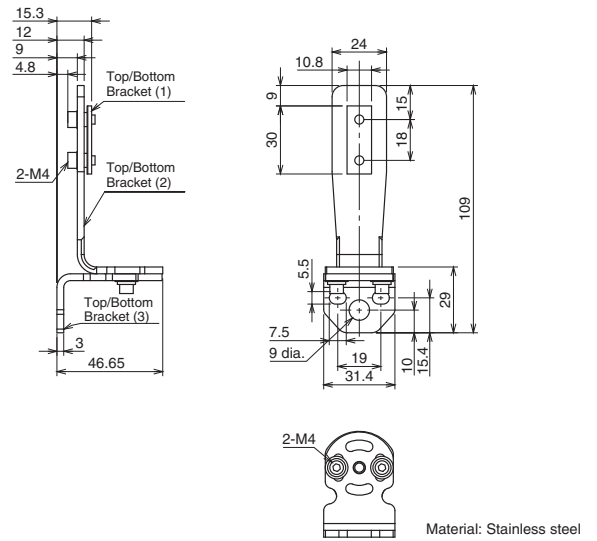
* The number of brackets required to mount either one of emitter and receiver.

Accessories

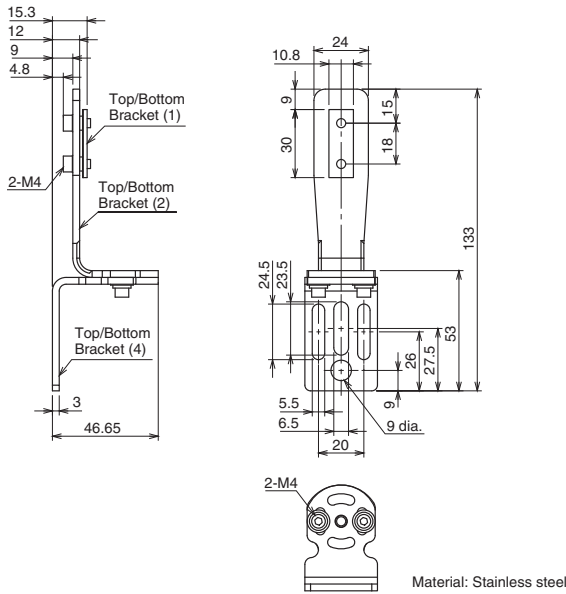
Sensor Mounting Brackets
Free-Location Bracket / Intermediate Bracket
(F39-LGRA, sold separately)



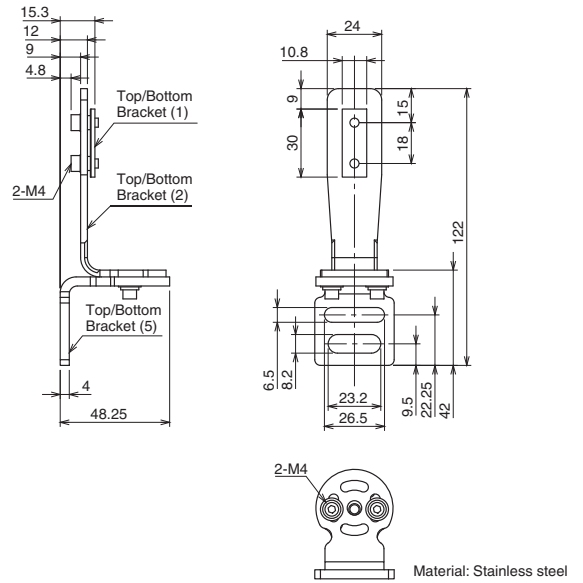
Top/Bottom Bracket
(F39-LGRTB, sold separately)



Top/Bottom Bracket
(F39-LGRTB-2, sold separately)



Top/Bottom Bracket
(F39-LGRTB-3, sold separately)

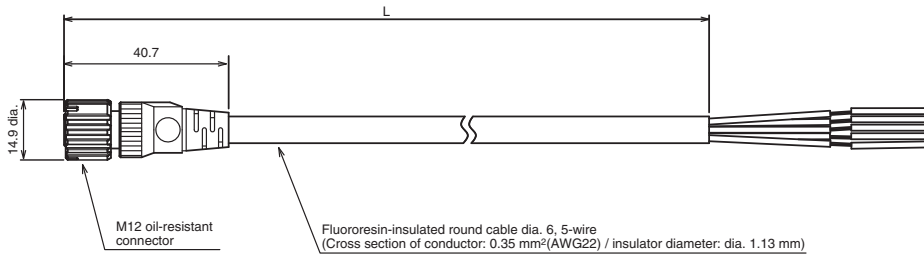


F3SG-RA-02TS

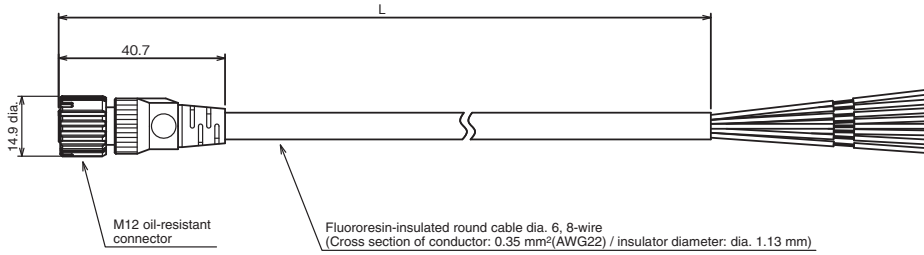
F3SG-RA-02TS

Safety light curtain connecting cable

Single-Ended Cable for Emitter (Oil-Resistant Cable) (F39-JD□RA-L, sold separately)

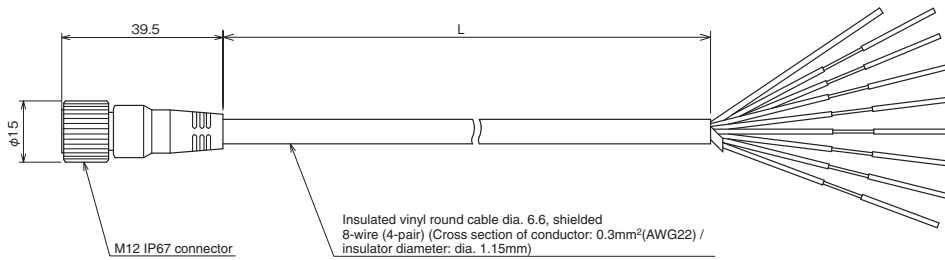


Single-Ended Cable for Receiver (Oil-Resistant Cable) (F39-JD□RA-D, sold separately)

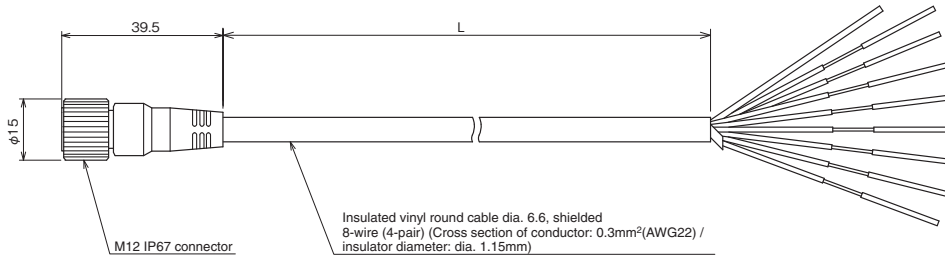


| Emitter cable (Gray) | Receiver cable (Black) | L (m) |
|----------------------|------------------------|-------|
| F39-JD3RA-L | F39-JD3RA-D | 3 |
| F39-JD7RA-L | F39-JD7RA-D | 7 |

Single-Ended Cable for Emitter (F39-JD□A-L, sold separately)

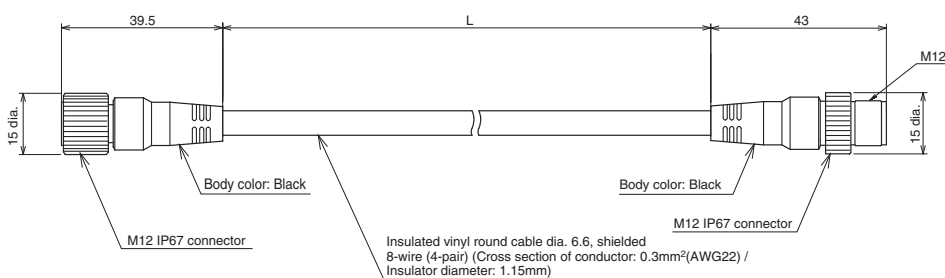


Single-Ended Cable for Receiver (F39-JD□A-D, sold separately)

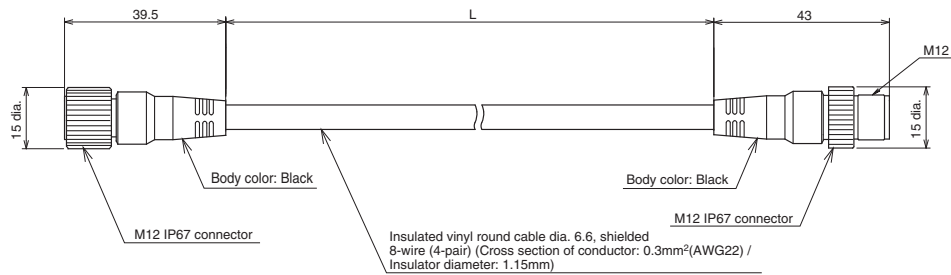


| Emitter cable (Gray) | Receiver cable (Black) | L (m) |
|----------------------|------------------------|-------|
| F39-JD3A-L | F39-JD3A-D | 3 |
| F39-JD7A-L | F39-JD7A-D | 7 |
| F39-JD10A-L | F39-JD10A-D | 10 |
| F39-JD15A-L | F39-JD15A-D | 15 |
| F39-JD20A-L | F39-JD20A-D | 20 |

Double-Ended Cable for Emitter: Cable for extension (F39-JD□B-L, sold separately)

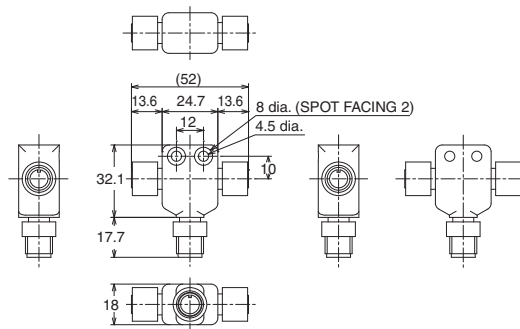


Double-Ended Cable for Receiver: Cable for extension (F39-JD□B-D, sold separately)

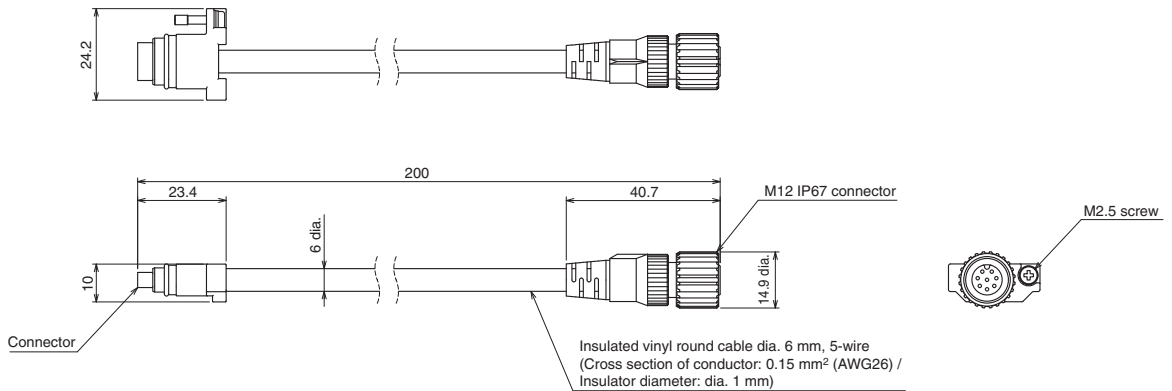


| Emitter cable (Gray) | Receiver cable (Black) | L (m) |
|----------------------|------------------------|-------|
| F39-JDR5B-L | F39-JDR5B-D | 0.5 |
| F39-JD1B-L | F39-JD1B-D | 1 |
| F39-JD3B-L | F39-JD3B-D | 3 |
| F39-JD5B-L | F39-JD5B-D | 5 |
| F39-JD7B-L | F39-JD7B-D | 7 |
| F39-JD10B-L | F39-JD10B-D | 10 |
| F39-JD15B-L | F39-JD15B-D | 15 |
| F39-JD20B-L | F39-JD20B-D | 20 |

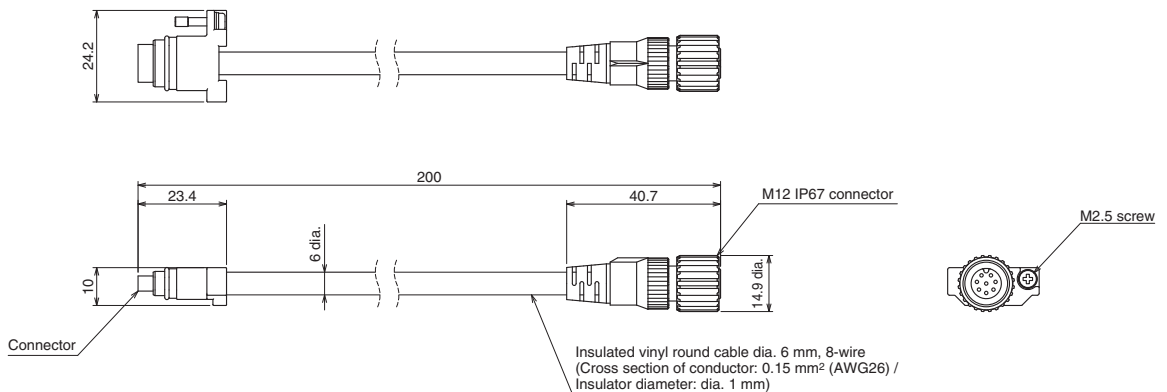
Reduced Wiring Connector (F39-CN5, sold separately)



Cascading Cable for Emitter (F39-JGR2WTS-L, sold separately)



Cascading Cable for Receiver (F39-JGR2WTS-D, sold separately)

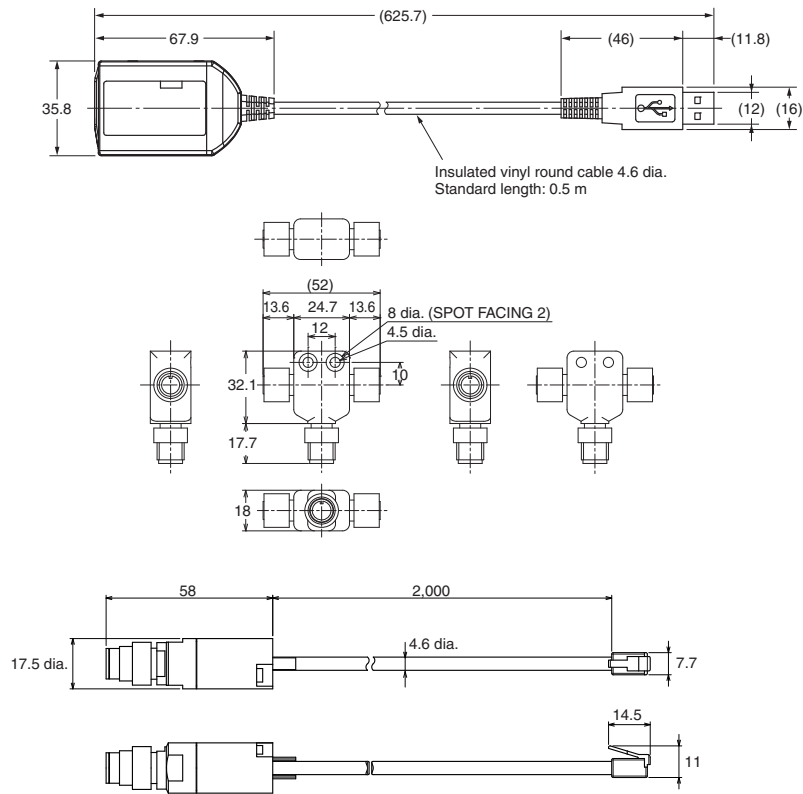


| Set model name | Emitter cable (Gray) | Receiver cable (Black) | L (m) |
|----------------|----------------------|------------------------|-------|
| F39-JGR2WTS | F39-JGR2WTS-L | F39-JGR2WTS-D | 0.2 |

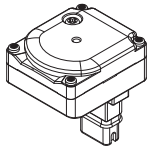
F3SG-RA-02TS

F3SG-RA-02TS

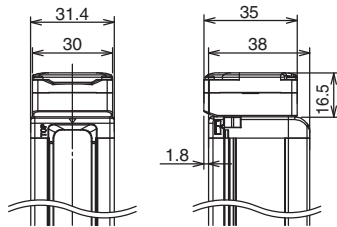
Interface Unit (F39-GIF-1, sold separately)



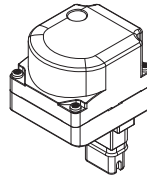
Bluetooth Communication Unit (F39-BT, sold separately)



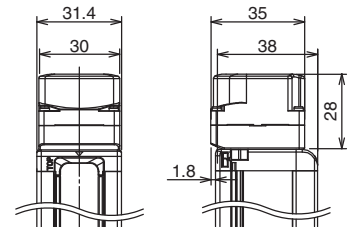
Material: PBT



Lamp and Bluetooth Communication Unit (F39-BTLP, sold separately) Lamp (F39-LP, sold separately)



Material:
PC (Lighting element)
PBT (Other body parts)



Related Manuals

| ManNo. | Model | Manual name |
|--------|----------------------|--|
| Z391 | F3SG-4RA□□□□-25-02TS | Safety Light Curtain F3SG-4RA□□□□-25-02TS Series User's Manual |

Smart Muting Actuator F3W-MA

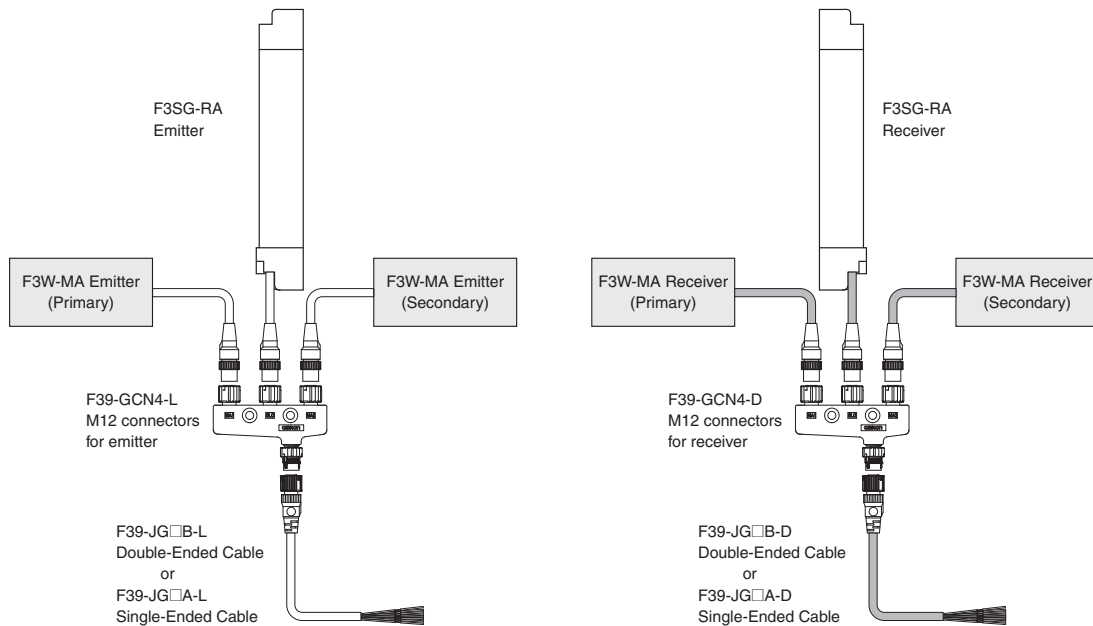
Integrated muting sensor based on multi-beam photoelectric sensor



- A muting system can be configured easily in combination with the safety light curtain.
- Muting functions can be stably performed even when workpieces with holes pass.




System Configuration



F3W-MA

Ordering Information




Smart Muting Actuator

| Appearance | Beam Gap between Muting Trigger Beams | output | Number of Beams | Model |
|---|---------------------------------------|------------|-----------------|-------------|
|  | 100 mm | PNP output | 8 | F3W-MA0100P |
| | 300 mm | | 20 | F3W-MA0300P |

Note: Use with the PNP output model safety light curtain.


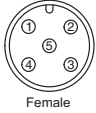
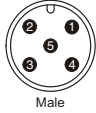


Accessories (Sold separately)

Single-Ended Cable *

| Appearance | Type | Cable length | Specifications | Model | | | | | | | | | | | | | | | | | | | | | | | |
|---|---|---|---|------------------------------|---------|-------|---------|--------|-------|------|-------|------|------|------|-------|-----------------|-------|--------|-----------------|-------|---|-------|------|---|---------|-----|------------|
|  | M12 connector (5-pin), 5 wires Color: Gray | 3 m | Connected to Power Cable or Double-Ended Cable  Female <table border="1"> <tr><td>1</td><td>+24 VDC</td><td>Brown</td></tr> <tr><td>2</td><td>CFG In</td><td>Black</td></tr> <tr><td>3</td><td>0 VDC</td><td>Blue</td></tr> <tr><td>4</td><td>COM+</td><td>White</td></tr> <tr><td>5</td><td>COM-</td><td>Yellow</td></tr> </table> | 1 | +24 VDC | Brown | 2 | CFG In | Black | 3 | 0 VDC | Blue | 4 | COM+ | White | 5 | COM- | Yellow | F39-JG3A-L | | | | | | | | |
| | | 1 | | +24 VDC | Brown | | | | | | | | | | | | | | | | | | | | | | |
| | | 2 | | CFG In | Black | | | | | | | | | | | | | | | | | | | | | | |
| | | 3 | | 0 VDC | Blue | | | | | | | | | | | | | | | | | | | | | | |
| | | 4 | | COM+ | White | | | | | | | | | | | | | | | | | | | | | | |
| | 5 | COM- | Yellow | | | | | | | | | | | | | | | | | | | | | | | | |
| | 7 m | F39-JG7A-L | | | | | | | | | | | | | | | | | | | | | | | | | |
| | 10 m | F39-JG10A-L | | | | | | | | | | | | | | | | | | | | | | | | | |
| | 15 m | F39-JG15A-L | | | | | | | | | | | | | | | | | | | | | | | | | |
| | 20 m | F39-JG20A-L | | | | | | | | | | | | | | | | | | | | | | | | | |
| For receiver M12 connector (8-pin), 8 wires Color: Black | 3 m | Connected to Power Cable or Double-Ended Cable  Female <table border="1"> <tr><td>1</td><td>Mute Enable / CFG In / Reset</td><td>Yellow</td></tr> <tr><td>2</td><td>+24 VDC</td><td>Brown</td></tr> <tr><td>3</td><td>COM+</td><td>Gray</td></tr> <tr><td>4</td><td>COM-</td><td>Pink</td></tr> <tr><td>5</td><td>Muting Output A</td><td>Black</td></tr> <tr><td>6</td><td>Muting Output B</td><td>White</td></tr> <tr><td>7</td><td>0 VDC</td><td>Blue</td></tr> <tr><td>8</td><td>CFG Out</td><td>Red</td></tr> </table> | 1 | Mute Enable / CFG In / Reset | Yellow | 2 | +24 VDC | Brown | 3 | COM+ | Gray | 4 | COM- | Pink | 5 | Muting Output A | Black | 6 | Muting Output B | White | 7 | 0 VDC | Blue | 8 | CFG Out | Red | F39-JG3A-D |
| | 1 | | Mute Enable / CFG In / Reset | Yellow | | | | | | | | | | | | | | | | | | | | | | | |
| | 2 | | +24 VDC | Brown | | | | | | | | | | | | | | | | | | | | | | | |
| | 3 | | COM+ | Gray | | | | | | | | | | | | | | | | | | | | | | | |
| | 4 | | COM- | Pink | | | | | | | | | | | | | | | | | | | | | | | |
| 5 | Muting Output A | Black | | | | | | | | | | | | | | | | | | | | | | | | | |
| 6 | Muting Output B | White | | | | | | | | | | | | | | | | | | | | | | | | | |
| 7 | 0 VDC | Blue | | | | | | | | | | | | | | | | | | | | | | | | | |
| 8 | CFG Out | Red | | | | | | | | | | | | | | | | | | | | | | | | | |
| 7 m | F39-JG7A-D | | | | | | | | | | | | | | | | | | | | | | | | | | |
| 10 m | F39-JG10A-D | | | | | | | | | | | | | | | | | | | | | | | | | | |
| 15 m | F39-JG15A-D | | | | | | | | | | | | | | | | | | | | | | | | | | |
| 20 m | F39-JG20A-D | | | | | | | | | | | | | | | | | | | | | | | | | | |

* A set of two Single-Ended Cables (one for emitter and one for receiver) is also available.
Model: Model number without the -L/-D at the end (F39-JG□A)


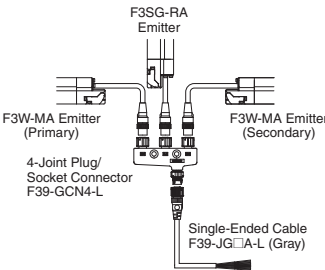

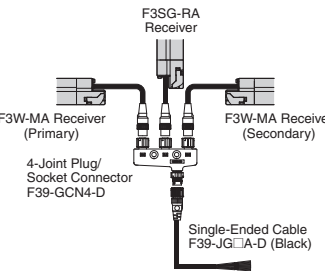

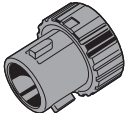


Double-Ended Cable *

| Appearance | Type | Cable length | Specifications | Model | | | | | | | | | | | | | | | |
|--|--|--------------|---|------------|-------|---|------|---|-------|---|-------|---|--------|-------------|-----|---|------|---|------|
|  | M12 connector (5-pin) on both ends Color: Gray | 0.5 m | Connected to Power Cable or Double-Ended Cable  Female Connected to Single-Ended Cable, or Double-Ended Cable  Male <table border="1"> <tr><td>1</td><td>Brown</td></tr> <tr><td>3</td><td>Blue</td></tr> <tr><td>2</td><td>Black</td></tr> <tr><td>4</td><td>White</td></tr> <tr><td>5</td><td>Yellow</td></tr> </table> | 1 | Brown | 3 | Blue | 2 | Black | 4 | White | 5 | Yellow | F39-JGR5B-L | | | | | |
| | | 1 | | Brown | | | | | | | | | | | | | | | |
| | | 3 | | Blue | | | | | | | | | | | | | | | |
| | | 2 | | Black | | | | | | | | | | | | | | | |
| | | 4 | | White | | | | | | | | | | | | | | | |
| | | 5 | | Yellow | | | | | | | | | | | | | | | |
| | | 1 m | | F39-JG1B-L | | | | | | | | | | | | | | | |
| | 3 m | F39-JG3B-L | | | | | | | | | | | | | | | | | |
| | 5 m | F39-JG5B-L | | | | | | | | | | | | | | | | | |
| | 7 m | F39-JG7B-L | | | | | | | | | | | | | | | | | |
| | 10 m | F39-JG10B-L | | | | | | | | | | | | | | | | | |
| | 15 m | F39-JG15B-L | | | | | | | | | | | | | | | | | |
| | 20 m | F39-JG20B-L | | | | | | | | | | | | | | | | | |
| | M12 connector (8-pin) on both ends Color: Black | 0.5 m | Connected to Power Cable or Double-Ended Cable  Female Connected to Single-Ended Cable, or Double-Ended Cable  Male <table border="1"> <tr><td>2</td><td>Brown</td></tr> <tr><td>7</td><td>Blue</td></tr> <tr><td>5</td><td>Black</td></tr> <tr><td>6</td><td>White</td></tr> <tr><td>1</td><td>Yellow</td></tr> <tr><td>8</td><td>Red</td></tr> <tr><td>3</td><td>Gray</td></tr> <tr><td>4</td><td>Pink</td></tr> </table> | 2 | Brown | 7 | Blue | 5 | Black | 6 | White | 1 | Yellow | 8 | Red | 3 | Gray | 4 | Pink |
| 2 | | Brown | | | | | | | | | | | | | | | | | |
| 7 | | Blue | | | | | | | | | | | | | | | | | |
| 5 | | Black | | | | | | | | | | | | | | | | | |
| 6 | | White | | | | | | | | | | | | | | | | | |
| 1 | | Yellow | | | | | | | | | | | | | | | | | |
| 8 | | Red | | | | | | | | | | | | | | | | | |
| 3 | Gray | | | | | | | | | | | | | | | | | | |
| 4 | Pink | | | | | | | | | | | | | | | | | | |
| 1 m | F39-JG1B-D | | | | | | | | | | | | | | | | | | |
| 3 m | F39-JG3B-D | | | | | | | | | | | | | | | | | | |
| 5 m | F39-JG5B-D | | | | | | | | | | | | | | | | | | |
| 7 m | F39-JG7B-D | | | | | | | | | | | | | | | | | | |
| 10 m | F39-JG10B-D | | | | | | | | | | | | | | | | | | |
| 15 m | F39-JG15B-D | | | | | | | | | | | | | | | | | | |
| 20 m | F39-JG20B-D | | | | | | | | | | | | | | | | | | |

* A set of two Double-Ended Cables (one for emitter and one for receiver) is also available.
Model: Model number without the -L/-D at the end (F39-JG□B)





4-Joint Plug/Socket Connector

Used for reduced wiring for connecting F3W-MA with F3SG-RA.

| Appearance | Type | Specifications | Model |
|---|---|---|--------------------------|
|  | <p>For emitter M12 connectors. Used for reduced wiring.</p> |  | <p>F39-GCN4-L</p> |
|  | <p>For receiver (PNP output) M12 connectors. Used for reduced wiring.</p> |  | <p>F39-GCN4-D</p> |
|  | <p>Includes one each of F39-GCN4-L and F39-GCN4-D</p> | <p>—</p> | <p>F39-GCN4</p> |
|  | <p>Water-resistive Cover for 4-Joint Plug/Socket Connector</p> | <p>One water-resistive cover for an F39-GCN4-L/-D 4-Joint Plug/Socket Connector. You can use this when the MA2 connector part is not used.</p> <p>Material: PBT. IP67 rated when attached. Smartclick mechanism.</p> | <p>XS5Z-11</p> |
|  | <p>Dust Cover for 4-Joint Plug/Socket Connector</p> | <p>One dust cover for an F39-GCN4-L/-D 4-Joint Plug/Socket Connector. You can use this when the MA2 connector part is not used.</p> <p>Material: Rubber/black. This cover does not ensure IP67 degree of protection.</p> | <p>XS2Z-14</p> |
|  | <p>Dust Cover for 4-Joint Plug/Socket Connector</p> | <p>XS2Z-14: Attach to a pin block inside the M12 female screw. XS2Z-15: Attach to a M12 female screw. When attaching the cover to the connector, press the cover onto the connector until the connector is fully inserted into the cover.</p> | <p>XS2Z-15</p> |

F3W-MA

Sensor Mounting Brackets

| Appearance | Specification | Application | Remarks | Model |
|---|-----------------------------|---|----------------------|------------------|
|  | Standard Fixed Bracket | Bracket to mount the F3W-MA. Side mounting and backside mounting possible. | Two brackets per set | F39-LGF |
|  | Standard Adjustable Bracket | Bracket to mount the F3W-MA. Beam alignment after mounting possible. The angle adjustment range is $\pm 15^\circ$. Side mounting and backside mounting possible. | Two brackets per set | F39-LGA |
|  | F3W-MA Bracket | Bracket to fix the F3W-MA to the F3SG-RA. F39-LGMAL: L-shaped configuration F39-LGMAT: T-shaped configuration Beam alignment after mounting possible. When using the F3W-MA Bracket, it is necessary to add an extra Standard Adjustable Bracket (F39-LGA) to the F3SG-RA. * Please also purchase Standard Adjustable Bracket (F39-LGA). | Two brackets per set | F39-LGMAL |
|  | | | | F39-LGMAT |

Note: When mounting an F3W-MA0300P in the L-shaped configuration, the shock resistance becomes as follows.

Shock resistance: 50 m/s², 1000 shocks for all 3 axes

For mounting an F3W-MA0300P under a shock environment exceeding this, the F3W-MA Bracket cannot be used. Use a Standard Adjustable Bracket (F39-LGA).

* When using F39-LGMA□, there are some restrictions on the brackets to mount the F3SG-RA. This bracket is not usable together with F39-LGF. When using together with the F39-LGA, the protective height of the F3SG-RA must be 270 mm or longer. When using together with F39-LGTB, the protective height of the F3SG-RA must be 400 mm or longer. An extra F39-LGA is required for reinforcement, depending on the mounting position of the F39-LGMA□. Refer to "Dimensions" on page 159 for details.

Ratings/Specifications

| | | F3W-MA0100P | F3W-MA0300P | |
|--------------------------------|---|---|--|-------|
| Performance | Beam Gap between Muting Trigger Beams | 100 mm | 300 mm | |
| | Number of Beams | 8 | 20 | |
| | Standard Detection Object | 30 mm | | |
| | Operating Range | Long | 0.3 to 20.0 m (1 to 65 ft.) | |
| | | Short | 0.3 to 7.0 m (1 to 23 ft.) | |
| | Response Time | Operation | 13 ms max. | |
| | | Reset | 26 ms max. (Synchronized) 78 ms max. (Not synchronized) | |
| | Effective Aperture Angle | ±2.5° max., emitter and receiver at operating range of 3 m or greater | | |
| Light Source | Infrared LEDs, Wavelength: 870 nm | | | |
| Startup Waiting Time | 2 s max. | | | |
| Electrical | Power Supply Voltage (Vs) | SELV/PELV 24 VDC±20% (ripple p-p 10% max.) | | |
| | Current Consumption | Emitter | 35 mA | 45 mA |
| | | Receiver | 75 mA | 75 mA |
| | Muting Outputs | Two PNP transistor outputs. * Load current of 300 mA max., Residual voltage of 2 V max. (except for voltage drop due to cable extension)) | | |
| | | * This product is a PNP output model. Use with the PNP output model safety light curtain. | | |
| | Output Operation Mode | Muting Output A | Dark-ON (Muting Output A is enabled when MuteA trigger beam is blocked.) | |
| | | Muting Output B | Dark-ON (Muting Output B is enabled when MuteB trigger beam is blocked.) | |
| | Input Voltage | ON Voltage | [MuteEnable] Vs to Vs-3 V (sink current 5 mA max.) * | |
| | | OFF Voltage | [Mute Enable] 0 to 1/2 Vs, or open * | |
| | | * The Vs indicates a supply voltage value in your environment. | | |
| | Indicators | Refer to page 152. LED Indicator Status | | |
| Protective Circuit | Protective Circuit Output short protection, Power supply reverse polarity protection | | | |
| Insulation Resistance | 20 MΩ or higher (500 VDC megger) | | | |
| Dielectric Strength | 1,000 VAC, 50/60 Hz (1 min) | | | |
| Functional | Functions | <ul style="list-style-type: none"> - Scan Code Selection - Operation Mode Selection (Point to Point Detection/ Chattering and Void Space Prevention) - Off-Delay - Muting Enable - Muting Trigger Beam Allocation - Operating Range Selection | | |
| Environmental | Ambient Temperature | Operating | -10 to 55°C (13 to 131°F) (non-icing) | |
| | | Storage | -25 to 70°C (-13 to 158°F) | |
| | Ambient Humidity | Operating | 35% to 85% (non-condensing) | |
| | | Storage | 35% to 95% | |
| | Ambient Illuminance | Incandescent lamp: 3,000 lx max. on receiver surface Sunlight: 10,000 lx max. on receiver surface | | |
| | Degree of Protection (IEC 60529) | IP65 and IP67 | | |
| | Vibration Resistance (IEC 61496-1) | 10 to 55 Hz, Multiple amplitude of 0.7 mm, 20 sweeps for all 3 axes | | |
| Shock Resistance (IEC 61496-1) | 100 m/s ² , 1000 shocks for all 3 axes | | | |
| Pollution Degree (IEC 60664-1) | Pollution Degree 3 | | | |
| Connections | Power Cable | Type of Connection | M12 connectors: 5-pin emitter, 8-pin receiver, IP67 rated when mated, Cables prewired to sensors | |
| | | Number of Wires | Emitter: 5, Receiver: 8 | |
| | | Cable Length | 0.3 mm | |
| | | Cable Diameter | 6 mm | |
| | | Minimum Bending Radius | R5 mm | |
| Extension of Power Cable | 100 m max. Note: For T-Shaped configuration with COM lines, the length of cable extension is 30m max. | | | |
| Material | Housing: Aluminum alloy, Cap: PBT resin, Front window: Acrylic resin, Cable: Oil-resistant PVC resin, FE plate: Stainless steel | | | |
| Net Weight *1 | 0.7 kg | 0.9 kg | | |
| Gross Weight *2 | 1.3 kg | 2.2 kg | | |
| Included Accessories | Instruction Sheet | | | |

*1. The net weight is the weight of an emitter and a receiver.

*2. The gross weight is the weight of an emitter, a receiver, included accessories and a package.

F3W-MA

LED Indicator Status

Shown below are indication statuses of F3W-MA LED indicators when you purchased.

Emitter

| Name of Indicator | | Color | Illuminated | Blinking |
|-------------------|------|-------|--|--|
| Operating range | LONG | Green | Long Range mode is selected by DIP Switch. | - |
| Running | RUN | Green | Power is ON. | - |
| Error | ERR | Red | - | Error in emitter. Generic error happens. |

Receiver

| Name of Indicator | | Color | Illuminated | Blinking |
|------------------------|--------------|--------|--|--|
| Top-beam-state | TOP | Blue | The top beam is unblocked. | - |
| Muting output A | MUTE A | Green | Muting Output A is activated. | - |
| Muting output B | MUTE B | Green | Muting Output B is activated. | - |
| Off-Delay | DELAY | Yellow | Off-Delay function is enabled by DIP Switch. | - |
| Chattering/ Void space | CHAT | Green | Chattering and Void Space Prevention mode is selected by DIP Switch. | - |
| Muting Enable | MUTE DISABLE | Red | The Muting Enable function is enabled and Muting Enable input is turned OFF by DIP Switch. | - |
| Error | ERR | Red | - | Error in receiver. Generic error happens. |
| Stable-state | STB | Green | Incident light level is 170% or higher of ON-threshold | - |
| Running | RUN | Green | Power is ON. | - |
| Communication | COM | Green | Synchronization between emitter and receiver is maintained. | [Primary sensor] - Start-up (for approx. 3 s) - Synchronization between emitter and receiver is lost |
| Bottom-beamstate | BTM | Blue | The bottom beam is unblocked. | - |

Wiring Examples

Standard Muting Mode with F3SG-R (T-Shaped Configuration with COM lines)

The following is the example of F3W-MA with Scan Code B, Chattering and Void Space Prevention 1, Off-Delay 100 ms and Muting Enable Disabled (factory default setting).

DIP Switch settings *1

| | | Function | DIP-SW1 | DIP-SW2 *2 |
|------------------|---------------------|--|--|--|
| F3W-MA Primary | Receiver | Scan Code B (factory default setting) | 1 <input checked="" type="checkbox"/> ON | 1 <input checked="" type="checkbox"/> ON |
| | | Chattering and Void Space Prevention 1 | 2 <input checked="" type="checkbox"/> ON 3 <input checked="" type="checkbox"/> ON | 2 <input checked="" type="checkbox"/> ON 3 <input checked="" type="checkbox"/> ON |
| | | Off-Delay 100 ms | 4 <input checked="" type="checkbox"/> ON 5 <input checked="" type="checkbox"/> ON | 4 <input checked="" type="checkbox"/> ON 5 <input checked="" type="checkbox"/> ON |
| | | Muting Enable Disabled (factory default setting) | 6 <input checked="" type="checkbox"/> ON | 6 <input checked="" type="checkbox"/> ON |
| | Emitter | Scan Code B (factory default setting) | 1 <input checked="" type="checkbox"/> ON | - |
| F3W-MA Secondary | Receiver Emitter | - | No setting required | No setting required |

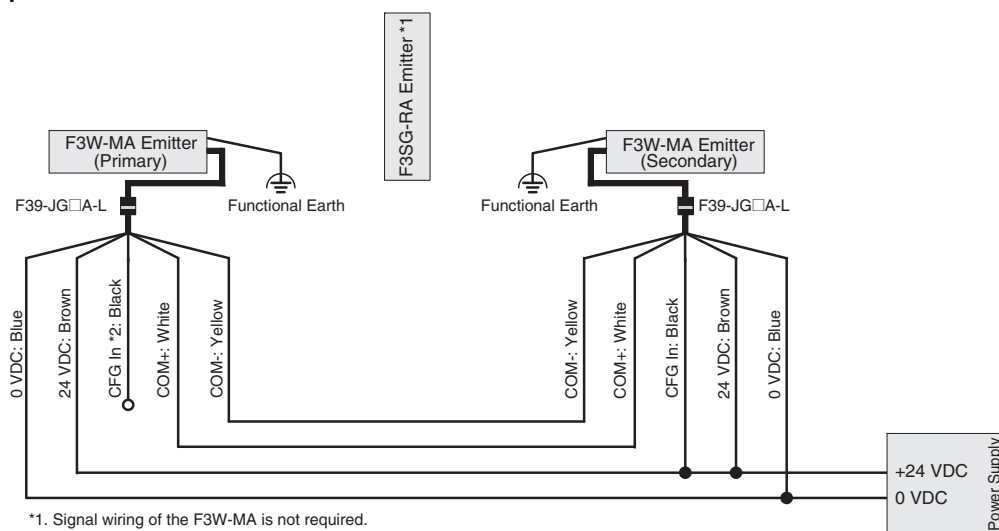
☐: Indicates a switch position.

*1. Configure functions with the DIP Switches before wiring. Refer to *Smart Muting Actuator F3W-MA Series User's Manual* for more information.

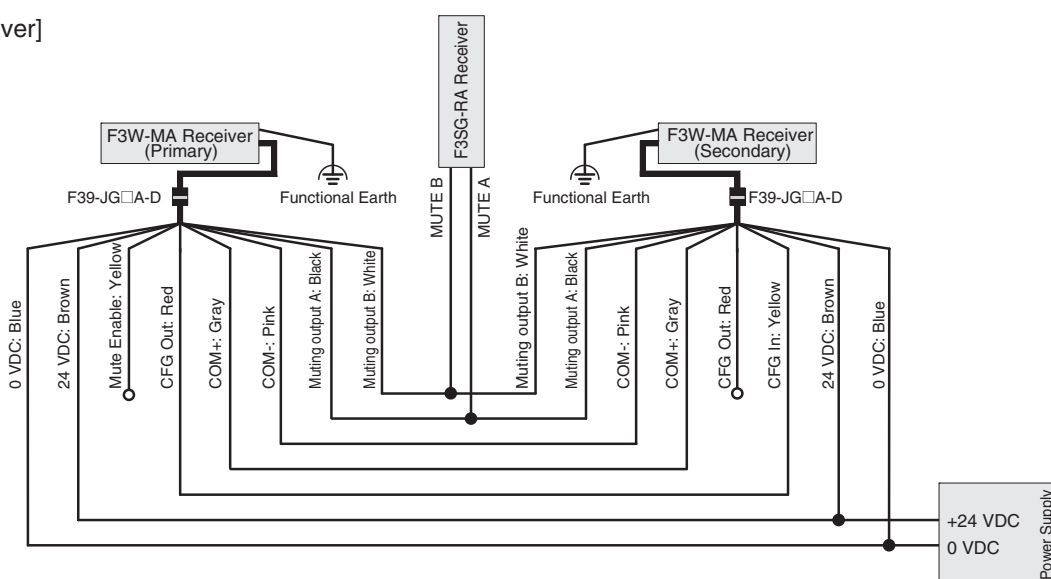
*2. DIP Switch Bank 2 is not used.

Wiring example

[Emitter]



[Receiver]

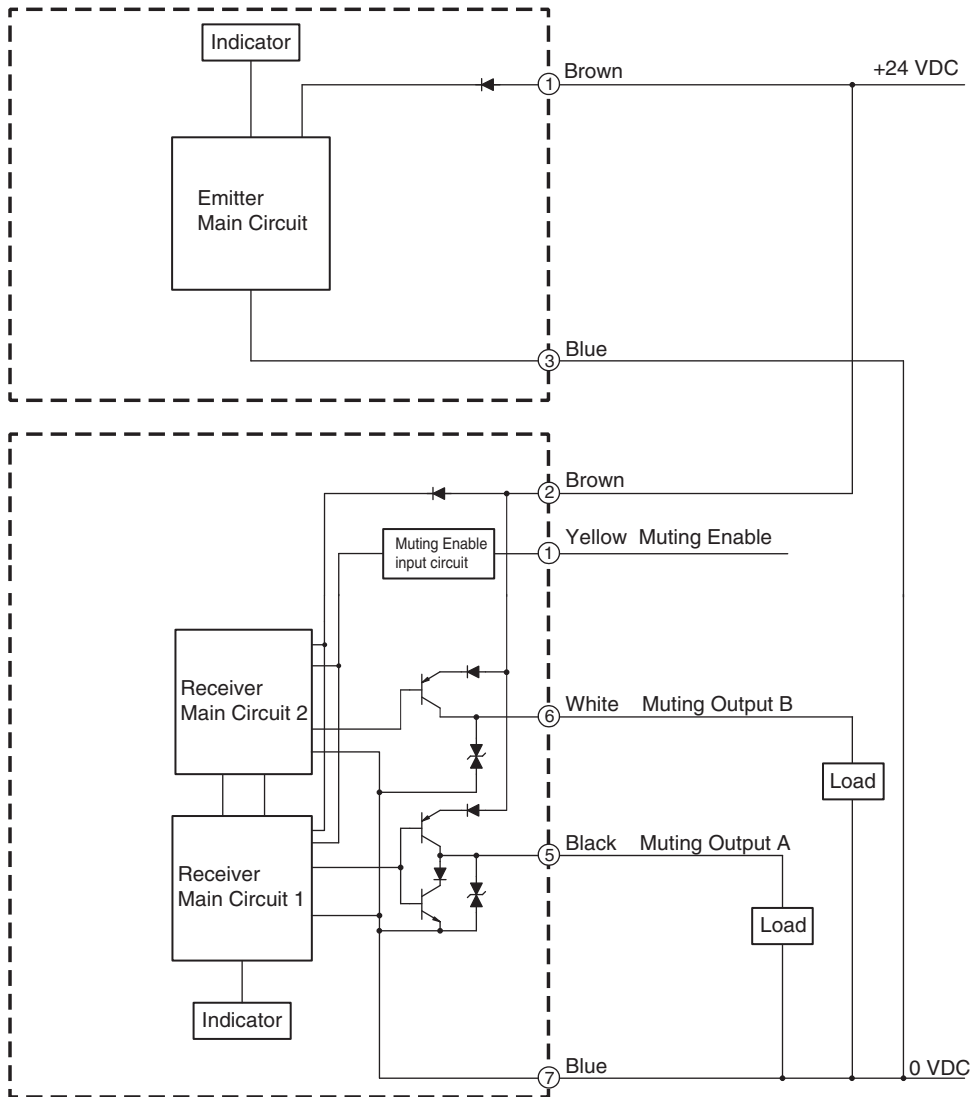


Note: The wiring examples in later pages do not indicate functional earth. To use functional earth, wire an earth cable according to the example above. Refer to *Smart Muting Actuator F3W-MA Series User's Manual* for more information.

F3W-MA

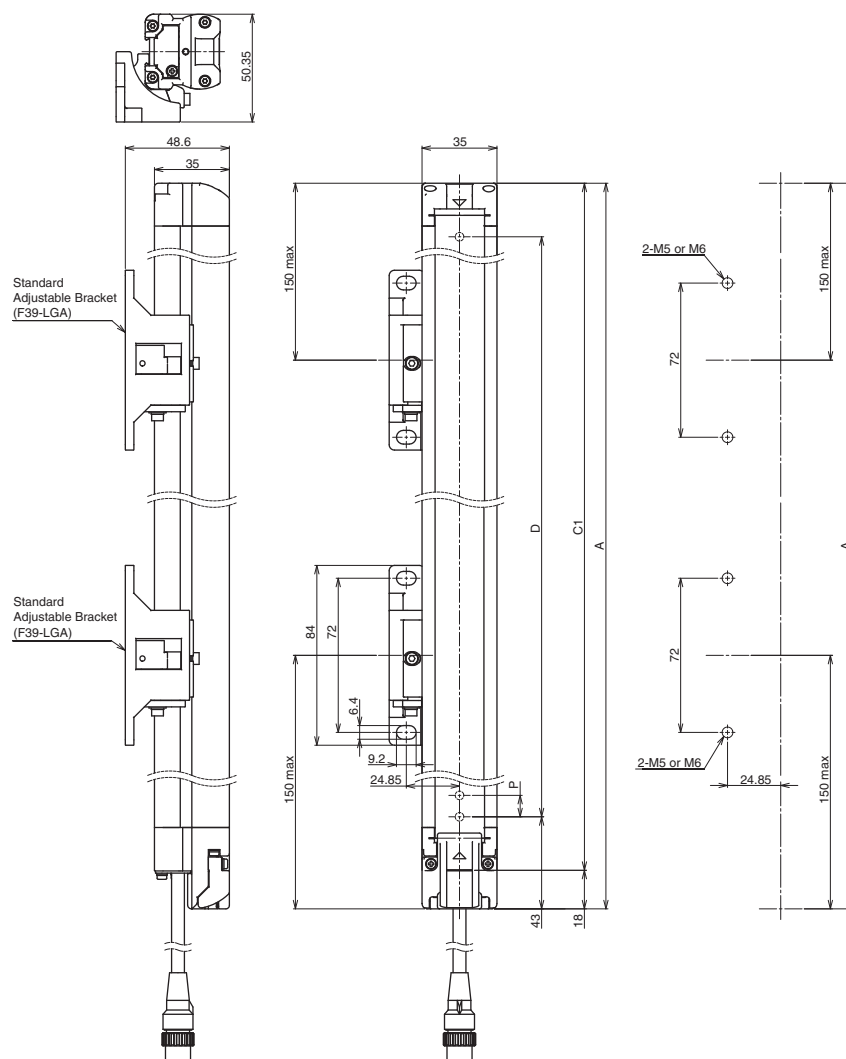
Input/Output Circuit

The entire circuit diagram of the F3W-MA is shown below.
The numbers in the circles indicate the connector's pin numbers.



Dimensions

Mounted with Standard Adjustable Brackets (F39-LGA) Backside Mounting



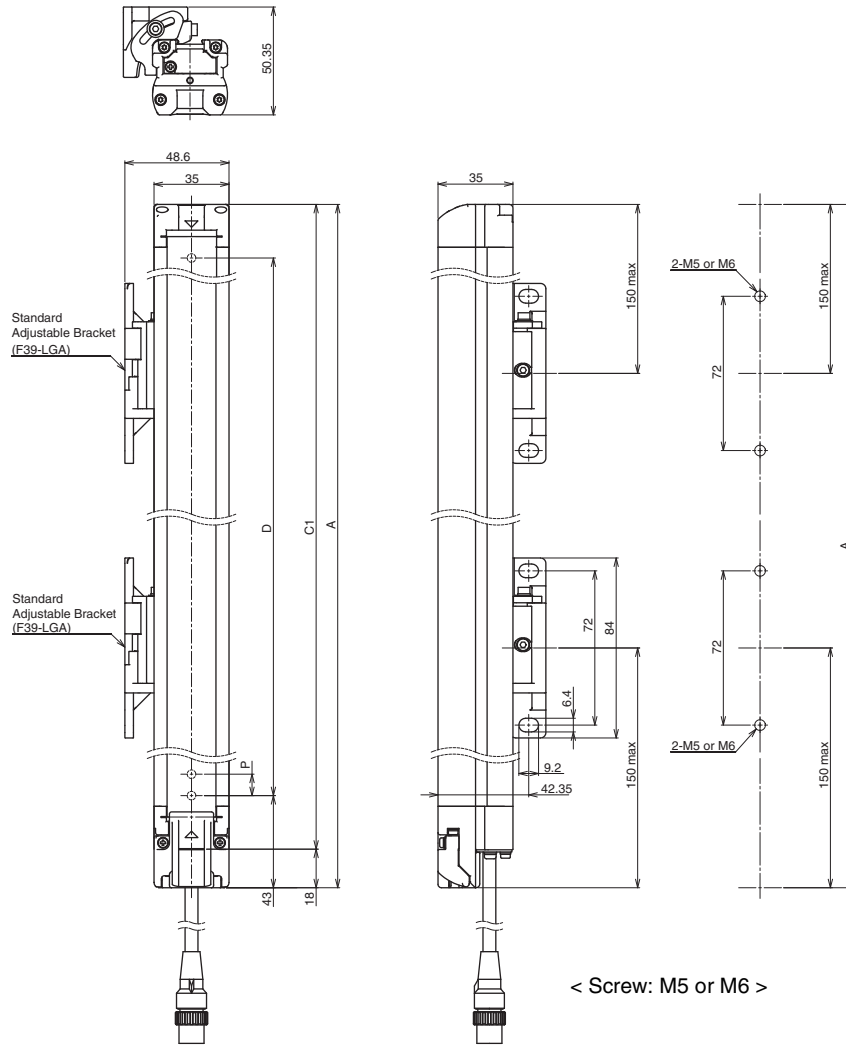
< Screw: M5 or M6 >

| Model | F3W-MA0100P | F3W-MA0300P |
|---|-------------|-------------|
| Dimension A | 208 | 448 |
| Dimension C1 | 190 | 430 |
| Dimension D | 140 | 380 |
| Dimension P | 20 | 20 |
| Number of Standard Adjustable Brackets *1 | 2 *2 | 2 |

*1. The number of brackets required to mount either one of emitter and receiver.

*2. Mounting an emitter or receiver with one bracket is possible. In this case, locate this bracket at half the Dimension A (or at the center of the sensor length).

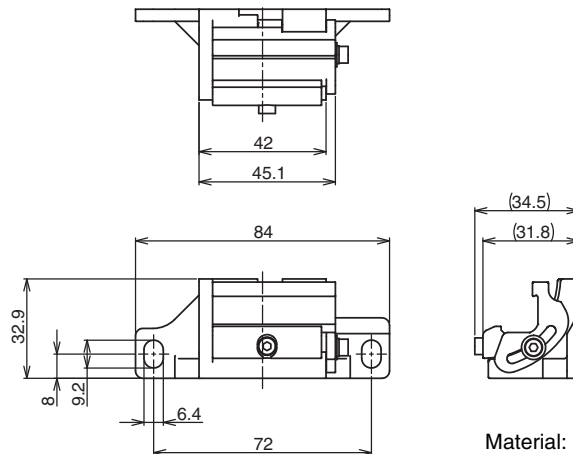
Side Mounting



| Model | F3W-MA0100P | F3W-MA0300P |
|---|-------------|-------------|
| Dimension A | 208 | 448 |
| Dimension C1 | 190 | 430 |
| Dimension D | 140 | 380 |
| Dimension P | 20 | 20 |
| Number of Standard Adjustable Brackets *1 | 2 *2 | 2 |

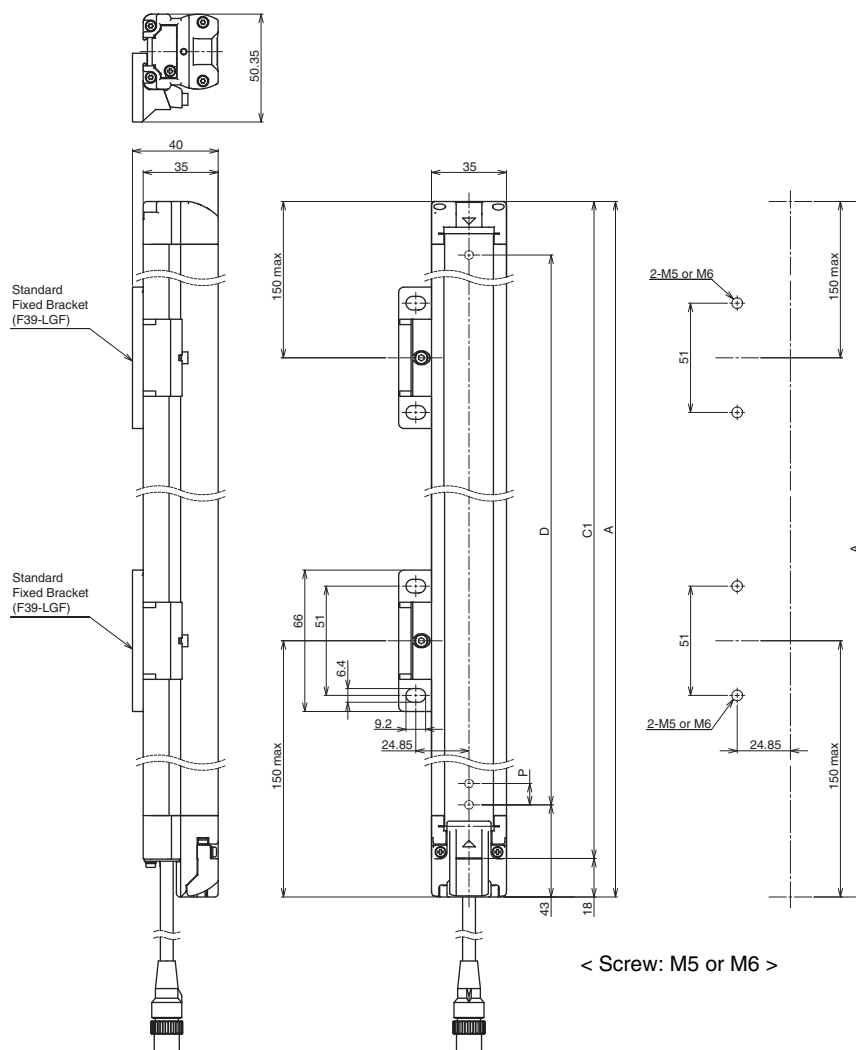
- *1. The number of brackets required to mount either one of emitter and receiver.
- *2. Mounting an emitter or receiver with one bracket is possible. In this case, locate this bracket at half the Dimension A (or at the center of the sensor length).

Standard Adjustable Bracket (F39-LGA, sold separately)



Material: Zinc alloy, Fluorine-containing

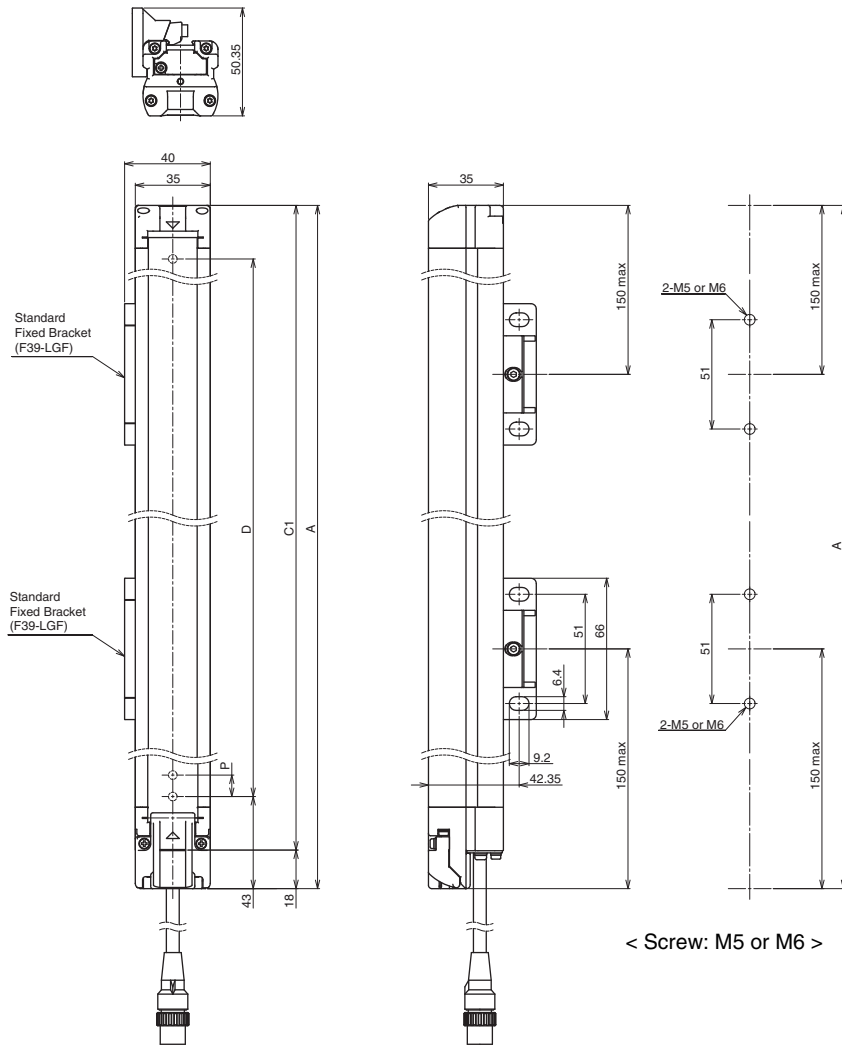
Mounted with Standard Fixed Brackets (F39-LGF) Backside Mounting



| Model | F3W-MA0100P | F3W-MA0300P |
|--------------------------------------|-------------|-------------|
| Dimension A | 208 | 448 |
| Dimension C1 | 190 | 430 |
| Dimension D | 140 | 380 |
| Dimension P | 20 | 20 |
| Number of Standard Fixed Brackets *1 | 2 *2 | 2 |

*1. The number of brackets required to mount either one of emitter and receiver.
 *2. Mounting an emitter or receiver with one bracket is possible. In this case, locate this bracket at half the Dimension A (or at the center of the sensor length).

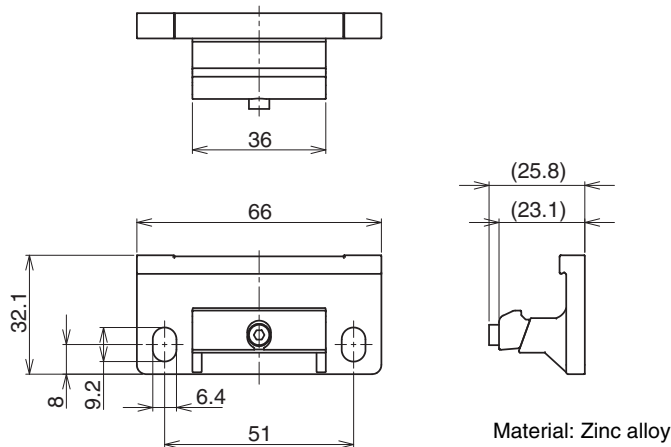
Side Mounting



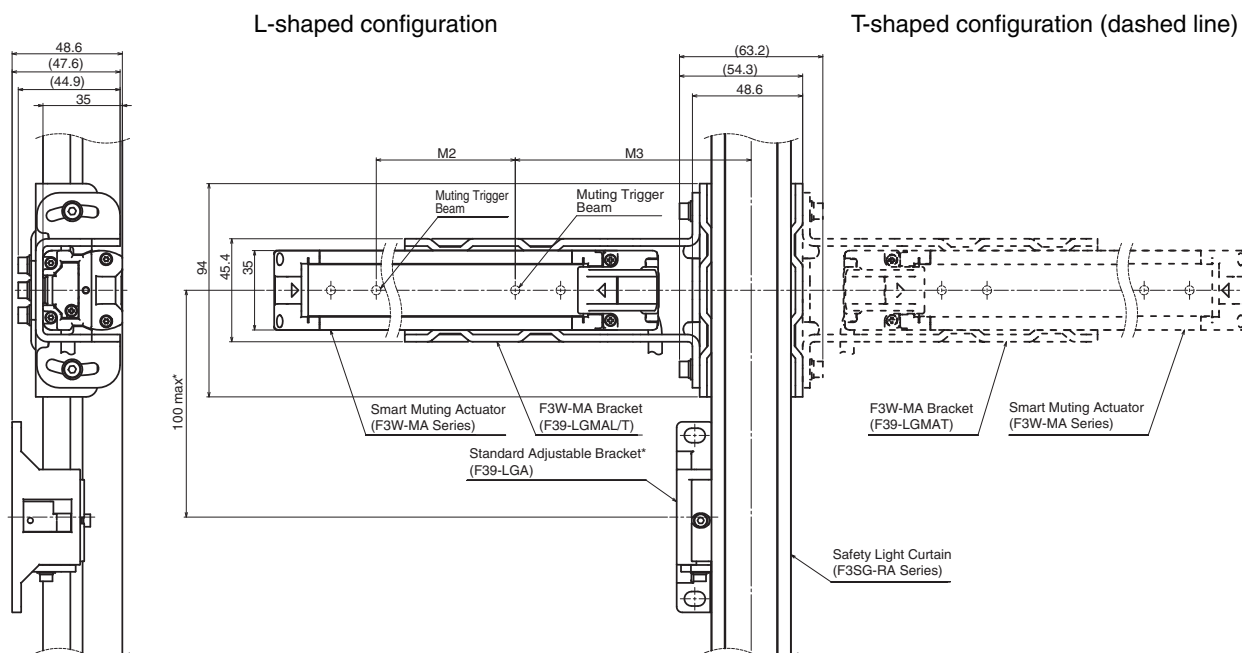
| Model | F3W-MA0100P | F3W-MA0300P |
|--------------------------------------|-------------|-------------|
| Dimension A | 208 | 448 |
| Dimension C1 | 190 | 430 |
| Dimension D | 140 | 380 |
| Dimension P | 20 | 20 |
| Number of Standard Fixed Brackets *1 | 2 *2 | 2 |

- *1. The number of brackets required to mount either one of emitter and receiver.
- *2. Mounting an emitter or receiver with one bracket is possible. In this case, locate this bracket at half the Dimension A (or at the center of the sensor length).

Standard Fixed Bracket (F39-LGF, sold separately)



Mounted with F3W-MA Bracket (F39-LGMA□) and Standard Adjustable Bracket (F39-LGA) on F3SG-RA



Note: When mounting an F3W-MA0300P in the L-shaped configuration, the shock resistance becomes as follows.

Shock resistance: 50 m/s², 1000 shocks for all 3 axes

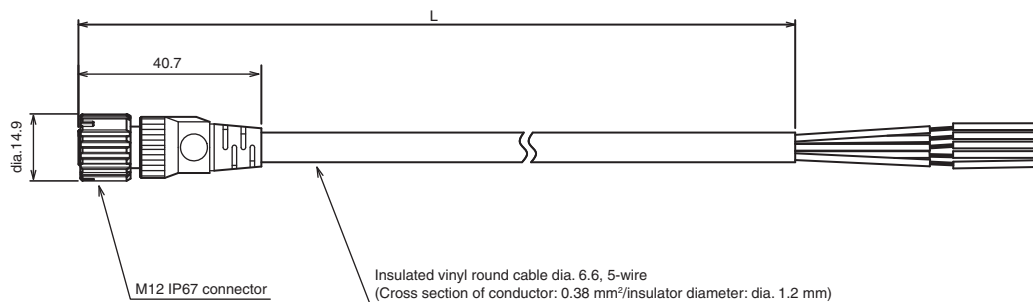
For mounting an F3W-MA0300P under a shock environment exceeding this, the F3W-MA Bracket cannot be used. Use a Standard Adjustable Bracket (F39-LGA).

* The distance between the centers of the F3W-MA and the Standard Adjustable Bracket (F39-LGA) must be 100 mm or less. When the distance is longer than 100 mm, add an extra Standard Adjustable Bracket for reinforcement.

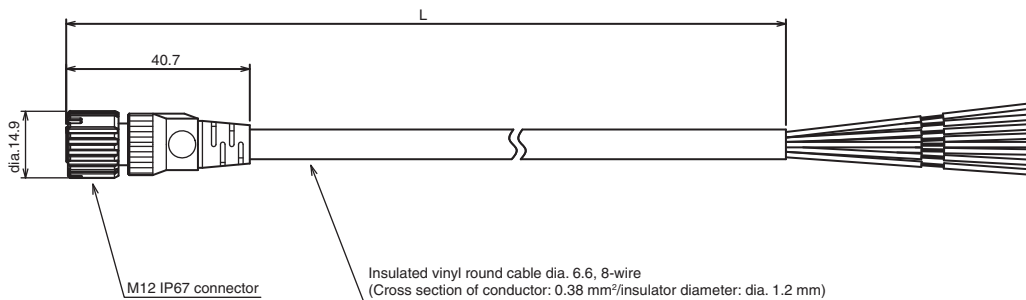
| Model | F3W-MA0100P | F3W-MA0300P |
|--------------|-------------|-------------|
| Dimension M2 | 100 | 300 |
| Dimension M3 | 104 | 124 |

Accessories

Single-Ended Cable for Emitter (F39-JG□A-L, sold separately)



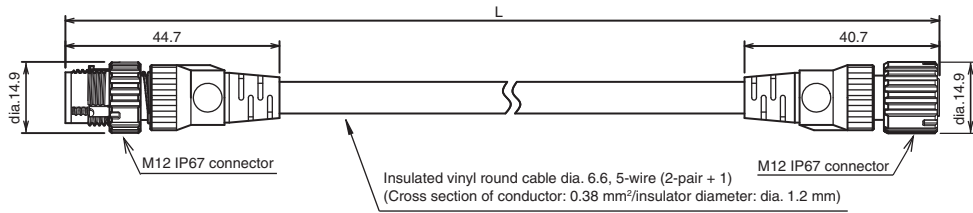
Single-Ended Cable for Receiver (F39-JG□A-D, sold separately)



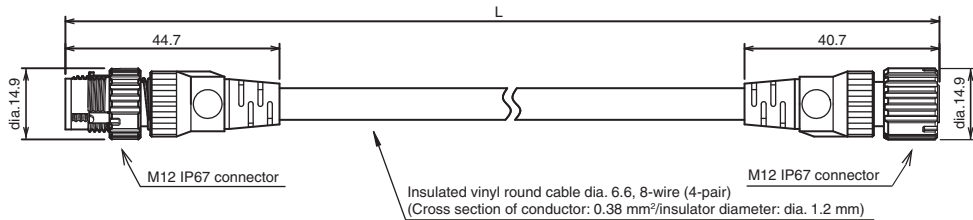
| Emitter cable (Gray) | Receiver cable (Black) | L (m) |
|----------------------|------------------------|-------|
| F39-JG3A-L | F39-JG3A-D | 3 |
| F39-JG7A-L | F39-JG7A-D | 7 |
| F39-JG10A-L | F39-JG10A-D | 10 |
| F39-JG15A-L | F39-JG15A-D | 15 |
| F39-JG20A-L | F39-JG20A-D | 20 |

F3W-MA

Double-Ended Cable for Emitter: Cable for extension (F39-JG□B-L, sold separately)

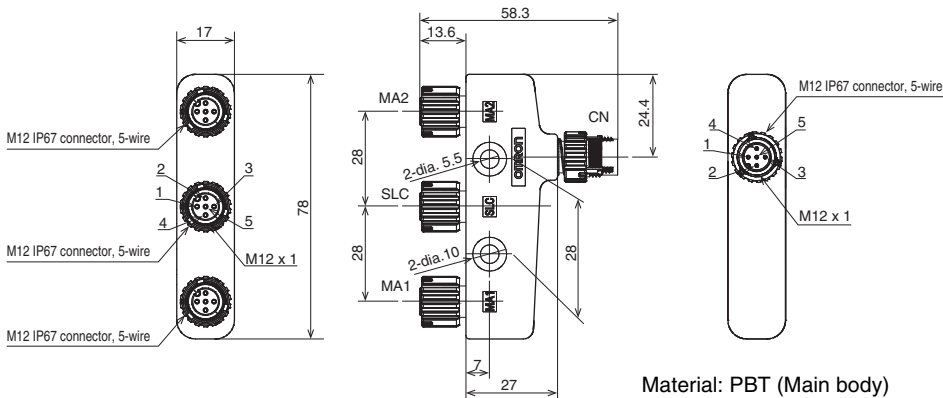


Double-Ended Cable for Receiver: Cable for extension (F39-JG□B-D, sold separately)

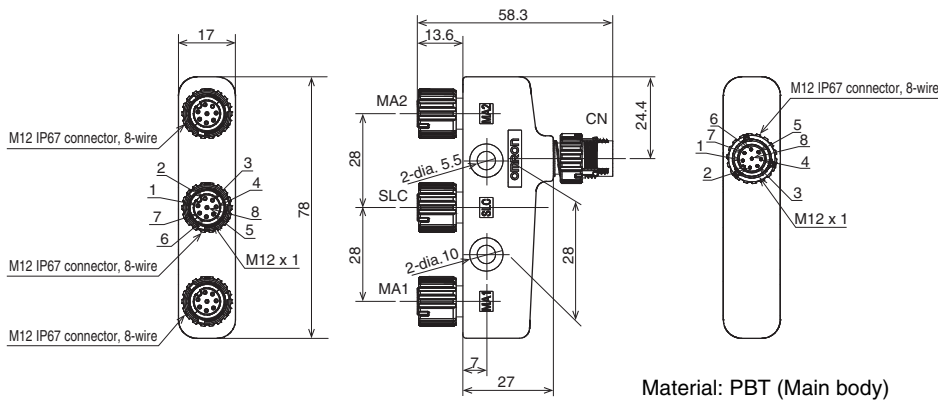


| Emitter cable (Gray) | Receiver cable (Black) | L (m) |
|----------------------|------------------------|-------|
| F39-JGR5B-L | F39-JGR15B-D | 0.5 |
| F39-JG1B-L | F39-JG1B-D | 1 |
| F39-JG3B-L | F39-JG3B-D | 3 |
| F39-JG5B-L | F39-JG5B-D | 5 |
| F39-JG7B-L | F39-JG7B-D | 7 |
| F39-JG10B-L | F39-JG10B-D | 10 |
| F39-JG15B-L | F39-JG15B-D | 15 |
| F39-JG20B-L | F39-JG20B-D | 20 |

4-Joint Plug/Socket Connector for Emitter (F39-GCN4-L, sold separately)



4-Joint Plug/Socket Connector for Receiver (F39-GCN4-D, sold separately)



Related Manuals

| ManNo. | Model | Manual name |
|--------|--------|---|
| Z355 | F3W-MA | Smart Muting Actuator F3W-MA Series User's Manual |

Terms and Conditions Agreement

Read and understand this catalog.

Please read and understand this catalog before purchasing the products. Please consult your OMRON representative if you have any questions or comments.

Warranties.

- (a) Exclusive Warranty. Omron's exclusive warranty is that the Products will be free from defects in materials and workmanship for a period of twelve months from the date of sale by Omron (or such other period expressed in writing by Omron). Omron disclaims all other warranties, express or implied.
- (b) Limitations. OMRON MAKES NO WARRANTY OR REPRESENTATION, EXPRESS OR IMPLIED, ABOUT NON-INFRINGEMENT, MERCHANTABILITY OR FITNESS FOR A PARTICULAR PURPOSE OF THE PRODUCTS. BUYER ACKNOWLEDGES THAT IT ALONE HAS DETERMINED THAT THE PRODUCTS WILL SUITABLY MEET THE REQUIREMENTS OF THEIR INTENDED USE.

Omron further disclaims all warranties and responsibility of any type for claims or expenses based on infringement by the Products or otherwise of any intellectual property right. (c) Buyer Remedy. Omron's sole obligation hereunder shall be, at Omron's election, to (i) replace (in the form originally shipped with Buyer responsible for labor charges for removal or replacement thereof) the non-complying Product, (ii) repair the non-complying Product, or (iii) repay or credit Buyer an amount equal to the purchase price of the non-complying Product; provided that in no event shall Omron be responsible for warranty, repair, indemnity or any other claims or expenses regarding the Products unless Omron's analysis confirms that the Products were properly handled, stored, installed and maintained and not subject to contamination, abuse, misuse or inappropriate modification. Return of any Products by Buyer must be approved in writing by Omron before shipment. Omron Companies shall not be liable for the suitability or unsuitability or the results from the use of Products in combination with any electrical or electronic components, circuits, system assemblies or any other materials or substances or environments. Any advice, recommendations or information given orally or in writing, are not to be construed as an amendment or addition to the above warranty.

See <http://www.omron.com/global/> or contact your Omron representative for published information.

Limitation on Liability; Etc.

OMRON COMPANIES SHALL NOT BE LIABLE FOR SPECIAL, INDIRECT, INCIDENTAL, OR CONSEQUENTIAL DAMAGES, LOSS OF PROFITS OR PRODUCTION OR COMMERCIAL LOSS IN ANY WAY CONNECTED WITH THE PRODUCTS, WHETHER SUCH CLAIM IS BASED IN CONTRACT, WARRANTY, NEGLIGENCE OR STRICT LIABILITY.

Further, in no event shall liability of Omron Companies exceed the individual price of the Product on which liability is asserted.

Suitability of Use.

Omron Companies shall not be responsible for conformity with any standards, codes or regulations which apply to the combination of the Product in the Buyer's application or use of the Product. At Buyer's request, Omron will provide applicable third party certification documents identifying ratings and limitations of use which apply to the Product. This information by itself is not sufficient for a complete determination of the suitability of the Product in combination with the end product, machine, system, or other application or use. Buyer shall be solely responsible for determining appropriateness of the particular Product with respect to Buyer's application, product or system. Buyer shall take application responsibility in all cases.

NEVER USE THE PRODUCT FOR AN APPLICATION INVOLVING SERIOUS RISK TO LIFE OR PROPERTY OR IN LARGE QUANTITIES WITHOUT ENSURING THAT THE SYSTEM AS A WHOLE HAS BEEN DESIGNED TO ADDRESS THE RISKS, AND THAT THE OMRON PRODUCT(S) IS PROPERLY RATED AND INSTALLED FOR THE INTENDED USE WITHIN THE OVERALL EQUIPMENT OR SYSTEM.

Programmable Products.

Omron Companies shall not be responsible for the user's programming of a programmable Product, or any consequence thereof.

Performance Data.

Data presented in Omron Company websites, catalogs and other materials is provided as a guide for the user in determining suitability and does not constitute a warranty. It may represent the result of Omron's test conditions, and the user must correlate it to actual application requirements. Actual performance is subject to the Omron's Warranty and Limitations of Liability.

Change in Specifications.

Product specifications and accessories may be changed at any time based on improvements and other reasons. It is our practice to change part numbers when published ratings or features are changed, or when significant construction changes are made. However, some specifications of the Product may be changed without any notice. When in doubt, special part numbers may be assigned to fix or establish key specifications for your application. Please consult with your Omron's representative at any time to confirm actual specifications of purchased Product.

Errors and Omissions.

Information presented by Omron Companies has been checked and is believed to be accurate; however, no responsibility is assumed for clerical, typographical or proofreading errors or omissions.

Note: Do not use this document to operate the Unit.

OMRON Corporation Industrial Automation Company
Kyoto, JAPAN

Contact: www.ia.omron.com

Regional Headquarters

OMRON EUROPE B.V.

Wegalaan 67-69, 2132 JD Hoofddorp
The Netherlands
Tel: (31)2356-81-300/Fax: (31)2356-81-388

OMRON ELECTRONICS LLC

2895 Greenspoint Parkway, Suite 200
Hoffman Estates, IL 60169 U.S.A.
Tel: (1) 847-843-7900/Fax: (1) 847-843-7787

OMRON ASIA PACIFIC PTE. LTD.

No. 438A Alexandra Road # 05-05/08 (Lobby 2),
Alexandra Technopark,
Singapore 119967
Tel: (65) 6835-3011/Fax: (65) 6835-2711

OMRON (CHINA) CO., LTD.

Room 2211, Bank of China Tower,
200 Yin Cheng Zhong Road,
PuDong New Area, Shanghai, 200120, China
Tel: (86) 21-5037-2222/Fax: (86) 21-5037-2200

Authorized Distributor:

© OMRON Corporation 2014-2018 All Rights Reserved.
In the interest of product improvement,
specifications are subject to change without notice.

CSM_12_4_1018

Cat. No. F094-E1-10

0118(1214)